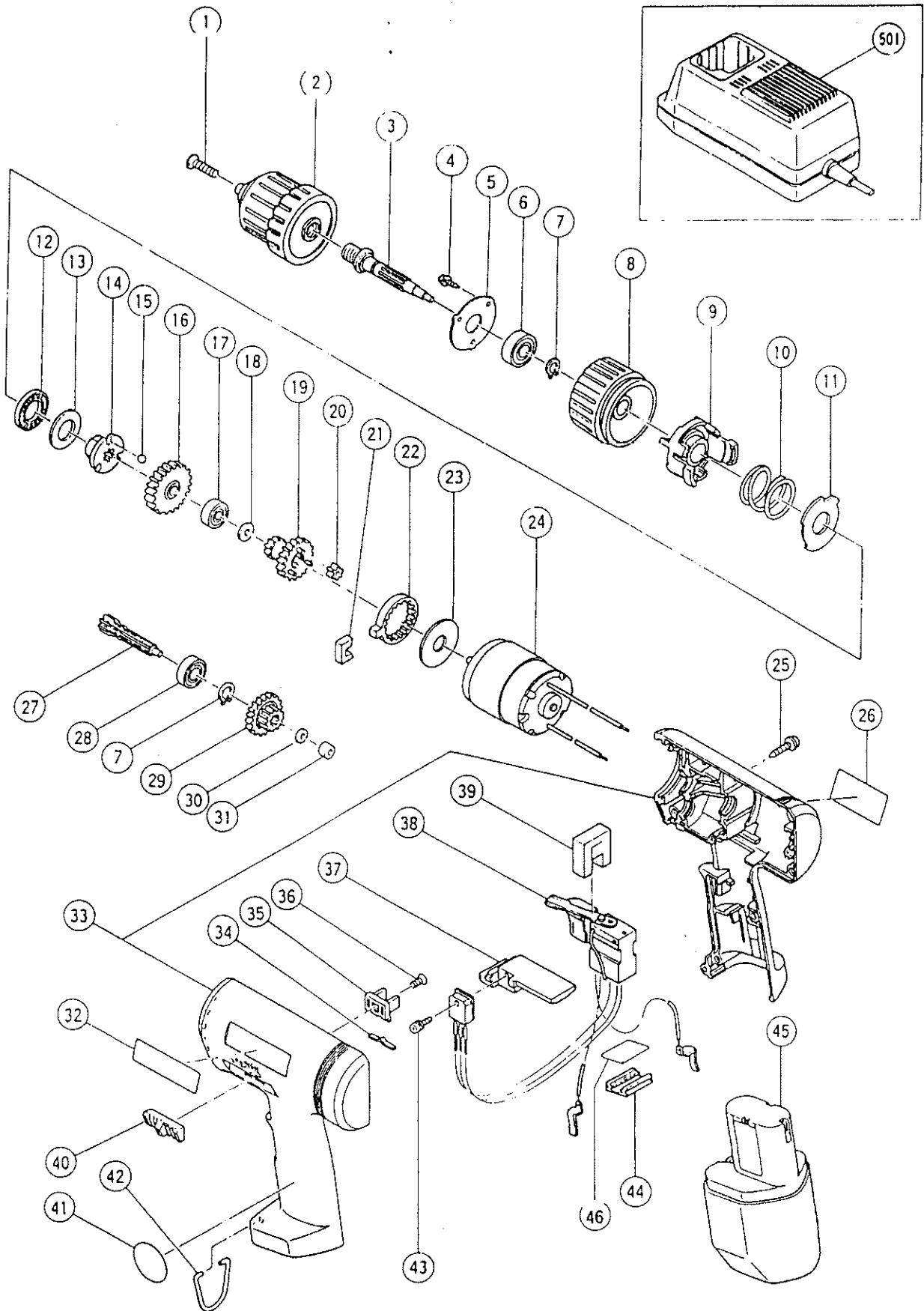
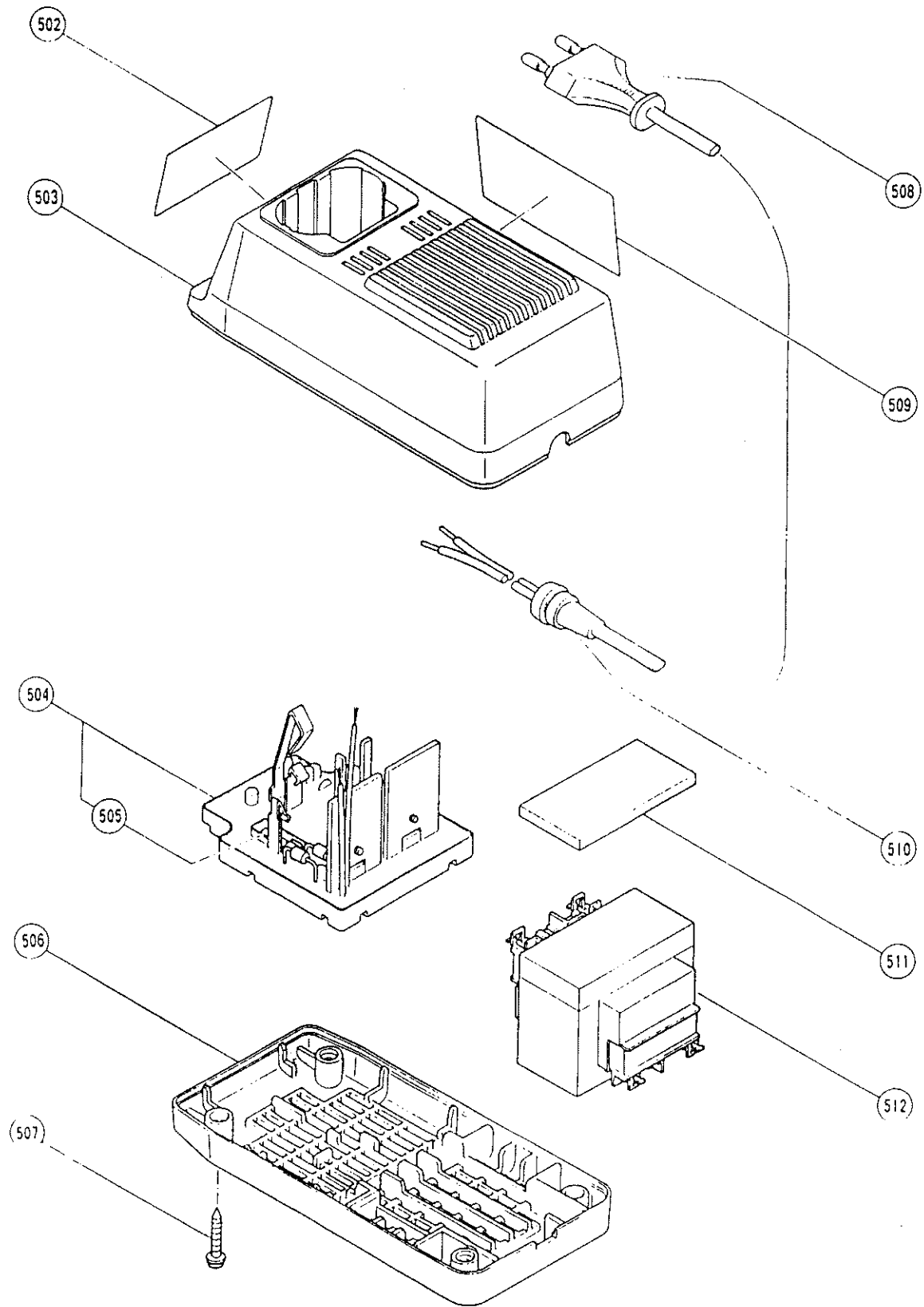


ELECTRIC TOOL PARTS LIST

■ CORDLESS DRIVER DRILL
Model ABS 12E

1992 · 1 · 10
(E1)





STANDARD ACCESSORIES

ABS 12E

ITEM NO.	CODE NO.	DESCRIPTION	NO. USED	REMARKS
501		CHARGER UC 12Y	1	INCLUD.502 - 512
502		NAME PLATE	1	
503	301 - 572	CASE (A)	1	
504	302 - 081	PRINTED CIRCUIT BOARD ASS'Y	1	INCLUD.505
505	991 - 807	FUSE	1	
506	301 - 573	CASE (B)	1	
507	300 - 036	TAPPING SCREW (W/FLANGE) D3X20	4	
508	980 - 642Z	CORD	1	
509		CAUTION PLATE	1	
510	991 - 187	CORD ARMOR	1	
511	982 - 490	CUSHION (A)	1	
512	300 - 031	TRANSFORMER 220V	1	

OPTIONAL ACCESSORIES

ITEM NO.	CODE NO.	DESCRIPTION	NO. USED	REMARKS
601	955 - 657	- DRIVER BIT (A) 3MMX70L	1	
602	955 - 659	- DRIVER BIT (A) 4MMX70L	1	
603	955 - 674	- DRIVER BIT (A) 6MMX70L	1	
604	955 - 670	+ DRIVER BIT (A) NO.1 70L	1	
605	955 - 655	+ DRIVER BIT (A) NO.3 70L	1	
606	955 - 654	+ DRIVER BIT (A) NO.2 70L	1	

*: ALTERNATIVE PARTS