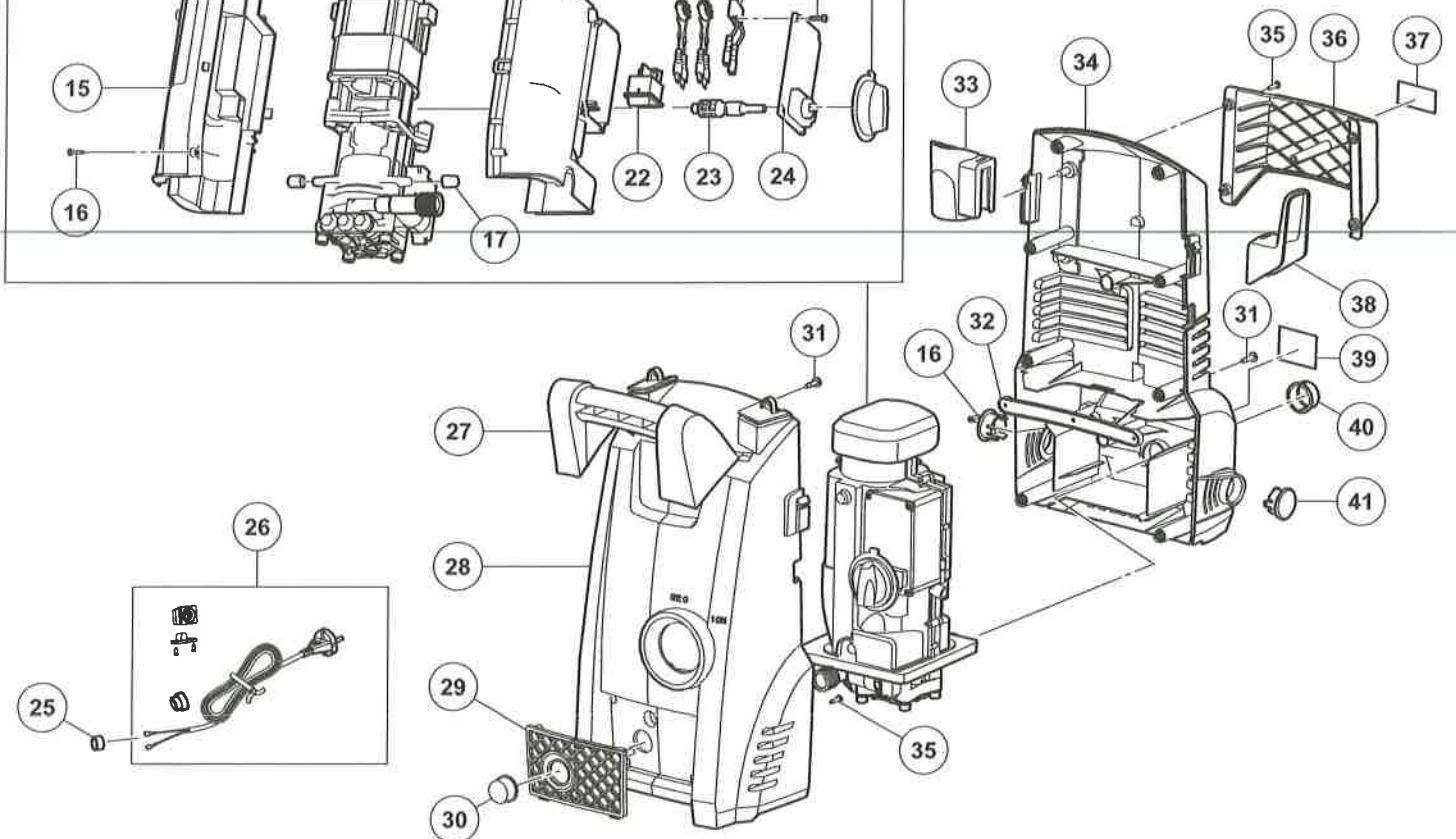
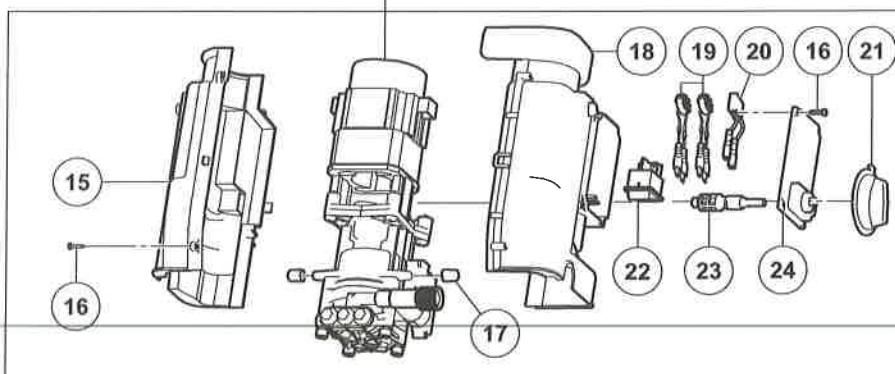
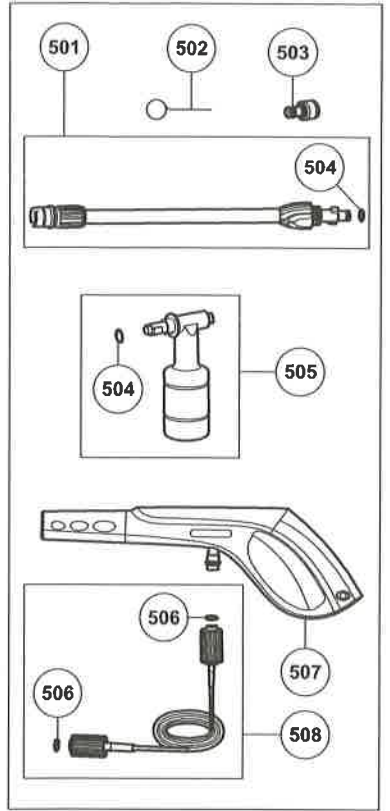
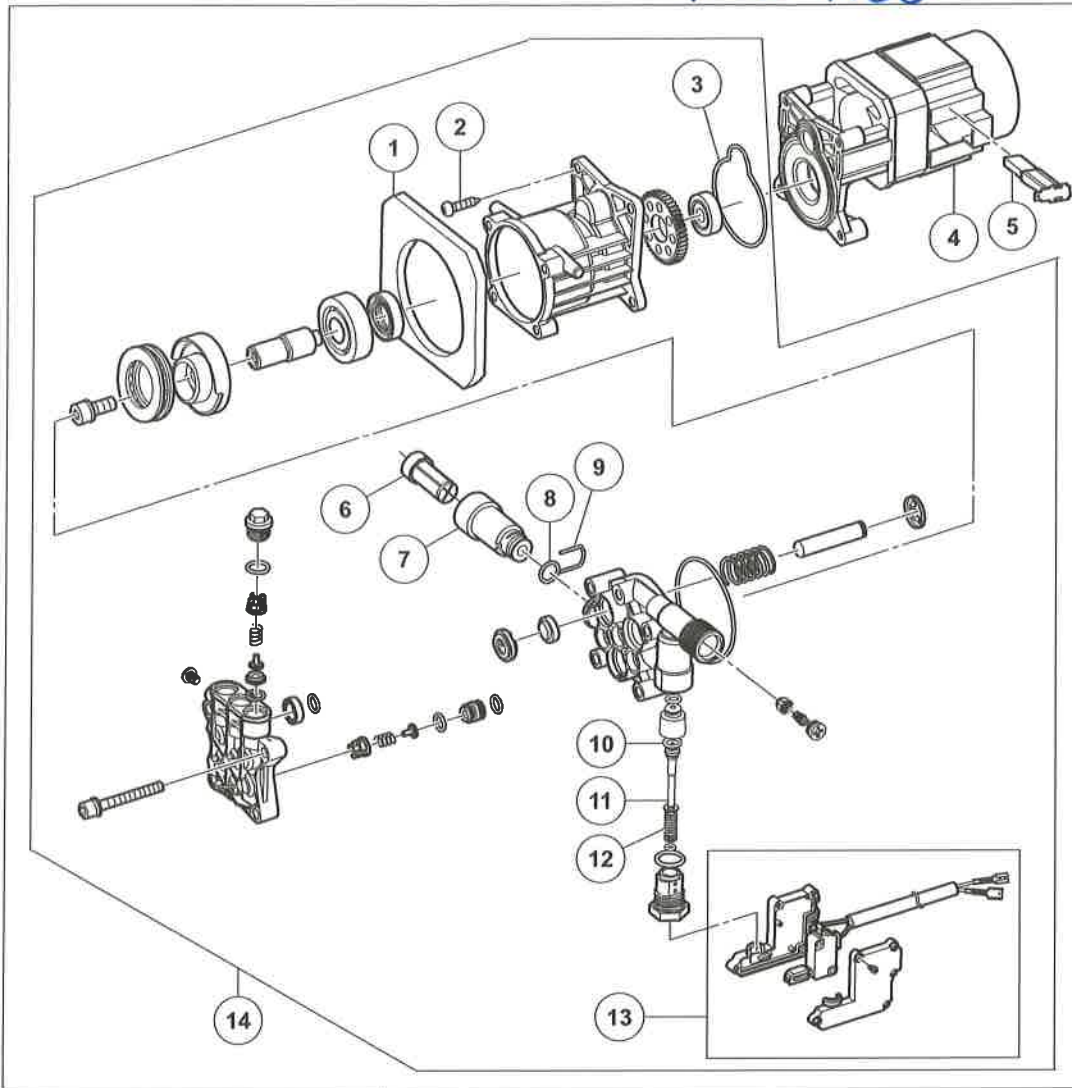


AW 100



| ITEM NO. | PART NAME | Q'TY |
|----------|--------------------------|------|
| 1 | FRONT MOTOR FILTER | 1 |
| 2 | TAPPING SCREW D5.5 X 20 | 4 |
| 3 | SEAL RING | 1 |
| 4 | MOTOR (AW100) | 1 |
| 5 | CARBON BRUSH | 2 |
| 6 | INLET FILTER (MESH) | 1 |
| 7 | INLET PIPE | 1 |
| 8 | O-RING (Φ11 X 2) | 1 |
| 9 | U-PIN | 1 |
| 10 | O-RING (Φ9 X 2) | 1 |
| 11 | VALVE CORE | 1 |
| 12 | SPRING | 1 |
| 13 | MICRO SWITCH CORD ASS'Y | 1 |
| 14 | PUMP ASS'Y (P11) | 1 |
| 15 | BACK MOTOR COVER | 1 |
| 16 | TAPPING SCREW D2.9 X 13 | 10 |
| 17 | RUBBER CAP | 2 |
| 18 | FRONT MOTOR COVER | 1 |
| 19 | FERRITE CORE | 2 |
| 20 | CAPACITOR ASS'Y | 1 |
| 21 | KNOB | 1 |
| 22 | MAIN SWITCH | 1 |
| 23 | SW SHAFT | 1 |
| 24 | SW CAP | 1 |
| 25 | FERRITE CORE | 2 |
| 26 | CORD ASS'Y | 1 |
| 27 | HANDLE | 1 |
| 28 | FRONT HOUSING | 1 |
| 29 | OUTLET PLATE | 1 |
| 30 | OUTLET COVER | 1 |
| 31 | TAPPING SCREW D4.8 X 16 | 10 |
| 32 | PLATE | 1 |
| 33 | GUN HOLDER | 1 |
| 34 | BACK HOUSING | 1 |
| 35 | TAPPING SCREW D3.5 X 13F | 6 |
| 36 | ACCESSORIES HOLDER | 1 |
| 37 | CAUTION LABEL | 1 |
| 38 | CORD HOLDER | 1 |
| 39 | NAME PLATE | 1 |
| 40 | INLET COVER | 1 |
| 41 | WHEEL CAP | 2 |
| 501 | VARIABLE NOZZLE | 1 |
| 502 | NOZZLE CLEANER PIN | 1 |
| 503 | INLET NUT | 1 |
| 504 | O-RING 9 X 2.62 | 2 |
| 505 | BOTTLE | 1 |
| 506 | O-RING | 2 |
| 507 | GUN (A) | 1 |
| 508 | HOSE (A) | 1 |