

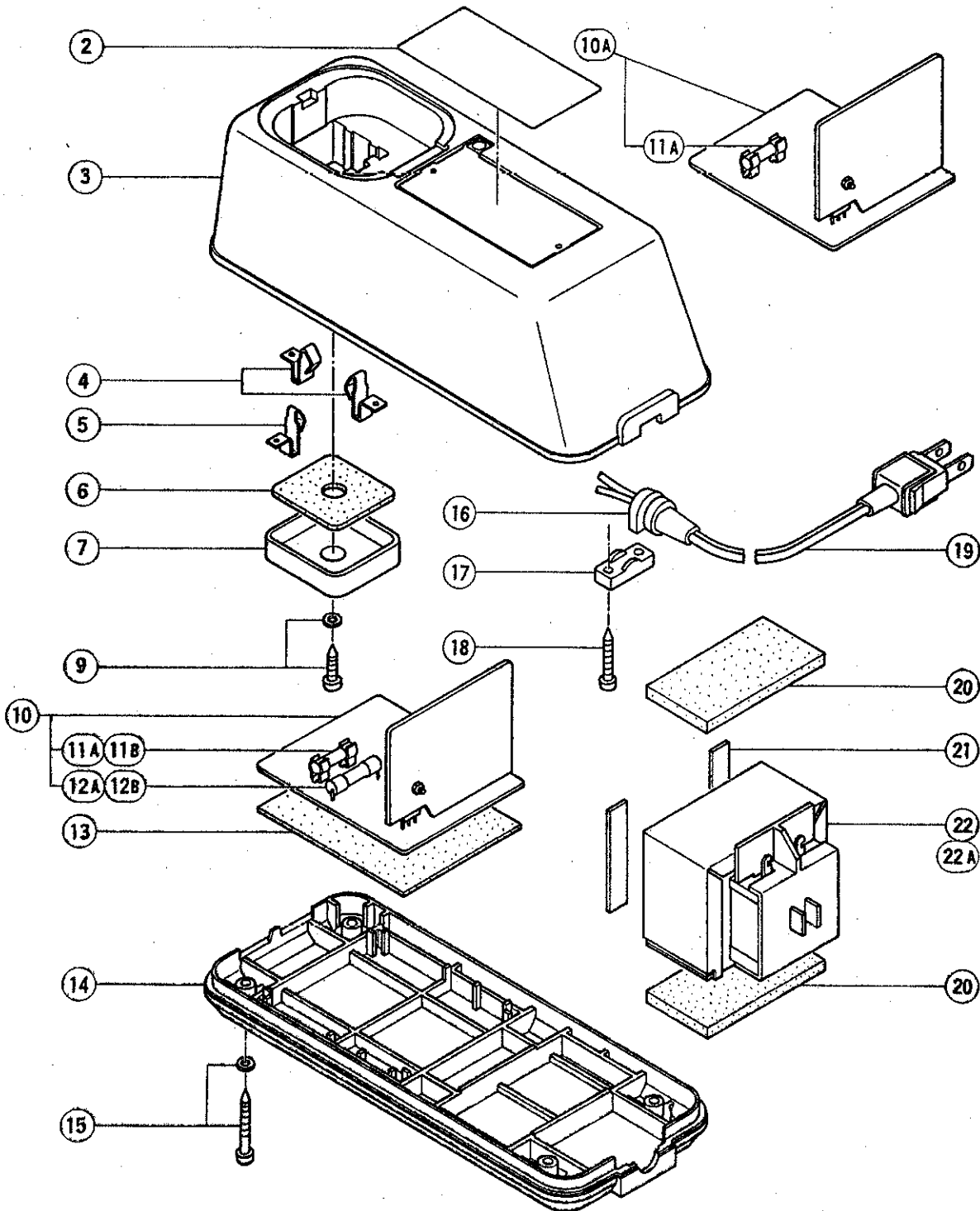
ELECTRIC TOOL PARTS LIST

■ CHARGER

1989-10-30

Model BC-3

BC-3(E2)



PARTS

BC-3

ITEM NO.	CODE NO.	DESCRIPTION	NO. USED	REMARKS
	2	NAME PLATE	1	
*	3 982-505	CASE (A)	1	
*	3 982-511Z	CASE (A)	1	FOR USA,CAN
*	3 982-523Z	CASE (A)	1	FOR FIN
	4 982-493	TERMINAL (A)	2	
	5 982-494	TERMINAL (B)	1	
	6 982-492	CUSHION (C)	1	
*	7 982-507	TERMINAL HOLDER	1	
*	7 982-513Z	TERMINAL HOLDER	1	FOR USA,CAN
*	7 982-524Z	TERMINAL HOLDER	1	FOR FIN
	9 982-034	TAPPING SCREW (W/WASHER) D4X12	1	
*	10 982-526	PRINTED CIRCUIT BOARD ASSY	1	INCLUD.11B,12B FOR USA
*	10A 982-502Z	PRINTED CIRCUIT BOARD ASSY	1	INCLUD.11A
*	10A 982-821	PRINTED CIRCUIT BOARD ASSY	1	INCLUD.11B FOR CAN
*	11A 982-503Z	FUSE	1	(TILL 5.1983 FOR USA,CAN ONLY)
*	11A 986-452	FUSE	1	TILL 4.1985 FOR TPE,INA,ECU,SYR
*	11B 982-528	FUSE	1	SINCE 6.1983 FOR USA,CAN
*	12A 982-510	FUSE (A)	1	(TILL 5.1983 FOR USA,CAN ONLY)
*	12B 982-527	FUSE (B)	1	SINCE 6.1983 FOR USA(TILL 4.1985 FOR CAN)
	13 982-491	CUSHION (B)	1	
*	14 982-506	CASE (B)	1	
*	14 982-512Z	CASE (B)	1	FOR USA,CAN
*	14 982-525Z	CASE (B)	1	FOR FIN
	15 980-612	TAPPING SCREW (W/WASHER) D4X25	4	
*	16 991-167	CORD ARMOR	1	
*	16 991-168	CORD ARMOR (B) D7.0	1	FOR FIN
	17 937-631	CORD CLIP	1	
	18 956-384	TAPPING SCREW D4X20	2	
*	19 980-642Z	CORD	1	
*	19 980-643Z	CORD	1	FOR AUS,NZL,NGU
*	19 980-644Z	CORD	1	FOR GBR
*	19 982-529	CORD	1	FOR USA,CAN
*	19 991-166	CORD	1	FOR FIN
*	19 993-646	CORD	1	FOR SRI,TPE,SAU,CYP,ECU
	20 982-490	CUSHION (A)	2	
	21 982-520	SPACER	2	
*	22 982-495Z	TRANSFORMER 120V	1	
*	22 982-498Z	TRANSFORMER 110V	1	
*	22 982-820	TRANSFORMER 240V	1	FOR AUS
*	22 993-652	TRANSFORMER 220V	1	
*	22 993-653	TRANSFORMER 230V	1	
*	22 993-654	TRANSFORMER 240V	1	
*	22A 993-651	TRANSFORMER 115V-120V	1	FOR CAN,ECU