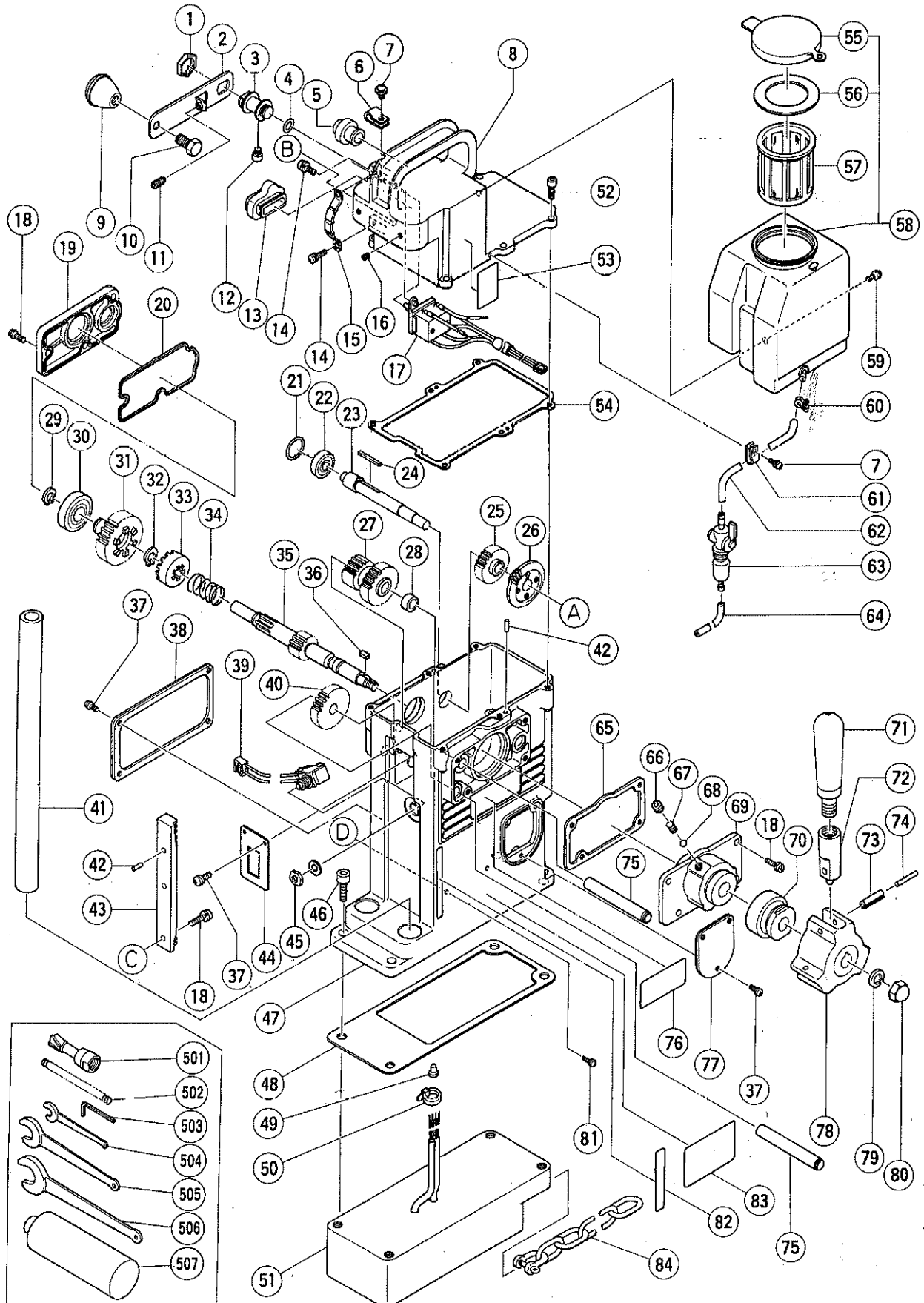
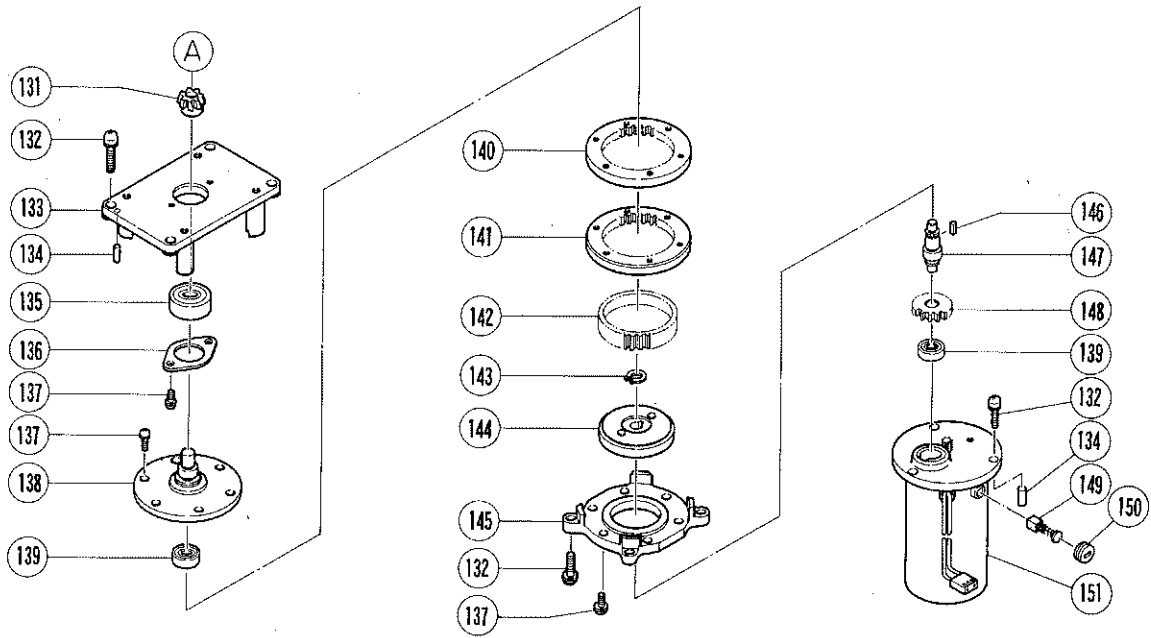
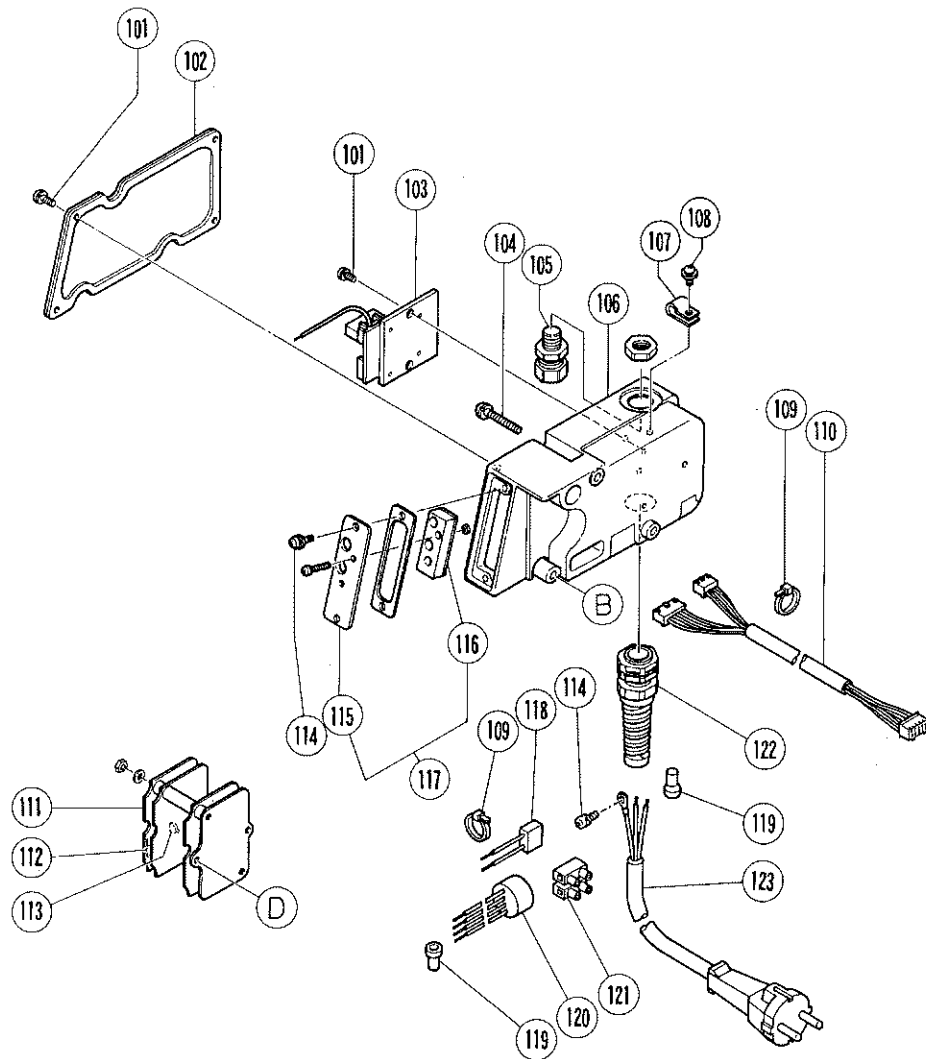
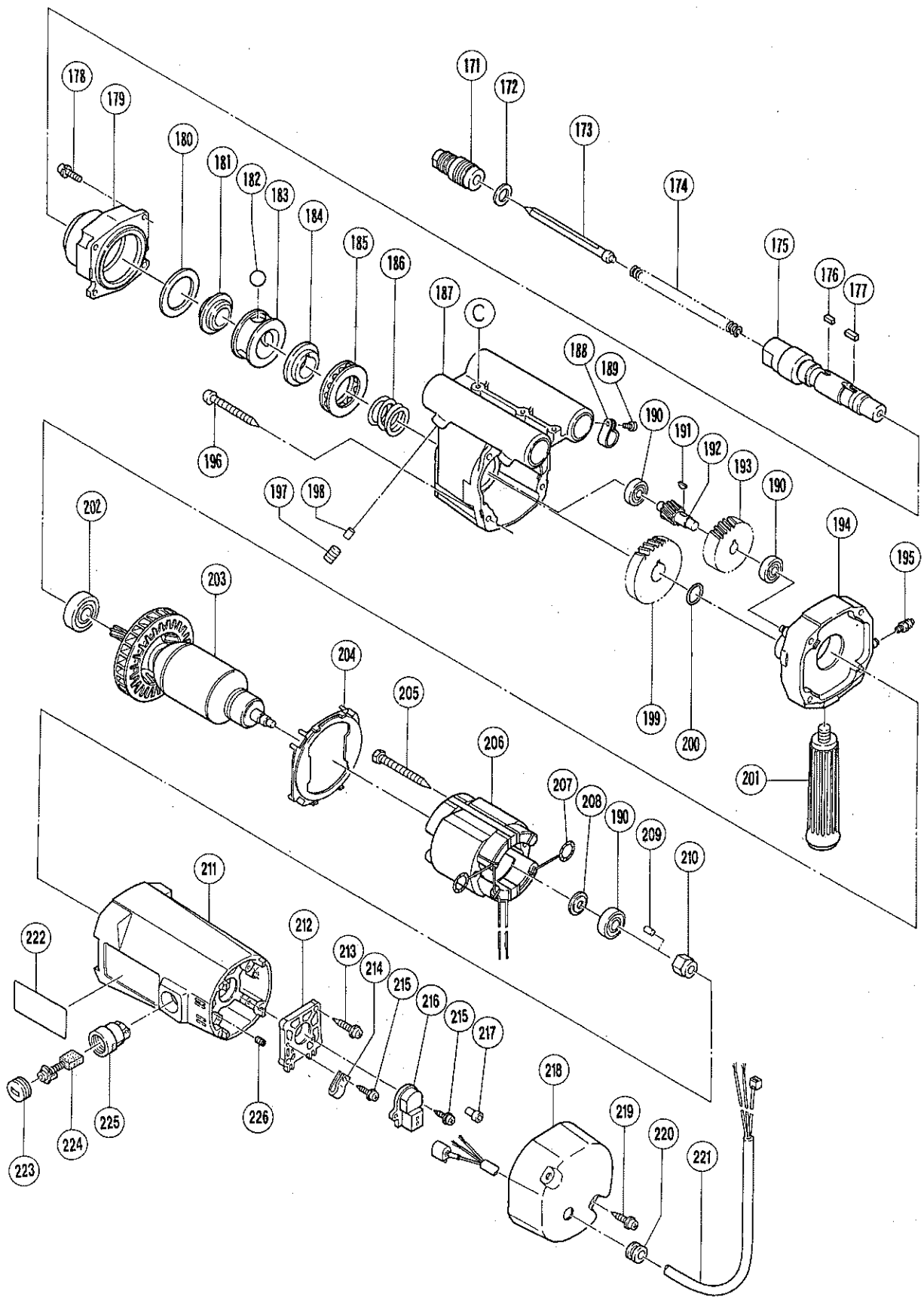


ELECTRIC TOOL PARTS LIST

■ AUTOMATIC MAGNETIC DRILL PRESS 1994 · 6 · 5
Model BM 25Y (E1)







PARTS

BM 25Y

ITEM NO.	CODE NO.	DESCRIPTION	NO. USED	REMARKS
1	303-294	SPECIAL NUT M18	1	
2	307-070	SWITCH LEVER (A)	1	
3	307-069	SLEEVE	1	
4	872-645	O - RING (P - 9)	1	
5	307-073	RUBBER BUSHING (B)	1	
6	303-270	WIRE CLIP	1	
7	303-851	SEAL LOCK SCREW (W/WASHERS) M4X10 (BLACK)	2	
8	307-066	COLUMN COVER	1	
9	303-296	GRIP	1	
10	856-854	SEAL LOCK HIGH TENSION BOLT M8X18	1	
11	303-298	PLUNGER	1	
12	949-817	HEX. SOCKET HD. BOLT M5X6 (10 PCS.)	1	
13	307-072	RUBBER BUSHING (A)	1	
14	303-255	SEAL LOCK SCREW (W/SP. WASHER) M4X10	4	
15	307-071	GUIDE PLATE (A)	1	
16	986-676	HEX. SOCKET SET SCREW M6X4	2	
17	309-576	ROTARY SWITCH (A)	1	
18	307-046	SEAL LOCK SCREW (W/SP. WASHER) M5X16	9	
19	307-058	SIDE COVER	1	
20	307-086	RUBBER PACKING	1	
21	873-570	O - RING (P - 18)	1	
22	608-VVM	BALL BEARING 608VVMC2EPS2L	1	
23	307-048	GEAR SHAFT (A)	1	
24	307-051	FEATHER KEY 2.5X2.5X28	1	
25	307-049	FEED PINION (A)	1	
26	301-840	GEAR	1	
27	307-053	FEED PINION (C)	1	
28	307-050	SLEEVE (A)	1	
29	939-544	RETAINING RING FOR D15 SHAFT (10 PCS.)	1	
30	600-2VV	BALL BEARING 6002VVCMP2S	1	
31	307-055	CLUTCH GEAR	1	
32	939-542	RETAINING RING FOR D12 SHAFT (10 PCS.)	1	
33	303-217	CLUTCH (B)	1	
34	307-057	CLUTCH SPRING	1	
35	307-056	HANDLE SHAFT	1	
36	930-511	FEATHER KEY 4X4X10	1	
37	303-255	SEAL LOCK SCREW (W/SP. WASHER) M4X10	9	
38	307-085	PANEL (C)	1	
39	303-307	MICRO SWITCH	1	
40	307-054	FEED PINION (D)	1	
41	307-065	COLUMN (L)	2	
42	949-756	PIN D4X12 (10 PCS.)	3	
43	307-064	RACK	1	
44	307-062	COVER PLATE	1	
46	307-038	SEAL LOCK HEX. SOCKET HD. BOLT M8X16	4	
47	307-037	BODY ASS'Y	1	INCLUD.30
48	307-089	SHEET PACKING (C)	1	
49	959-140	CONNECTOR 50091 (10 PCS.)	3	
50	983-684	WIRE BAND	1	
51	307-090	MAGNET MOLD	1	
52	990-079	SEAL LOCK HEX. SOCKET HD. BOLT M5X16	6	

*: ALTERNATIVE PARTS

PARTS

BM 25Y

ITEM NO.	CODE NO.	DESCRIPTION	NO. USED	REMARKS
53		MARK PLATE (C)	1	
54	307-088	SHEET PACKING (B)	1	
55	307-077	CAP	1	
56	307-078	RUBBER PACKING	1	
57	307-080	FILTER	1	
58	307-075	TANK (A) ASS'Y	1	INCLUD.55 - 57
59	307-081	MACHINE SCREW (W/WASHERS) M4X12 (BLACK)	1	
60	303-852	WIRE CLIP	1	
61	944-232	WIRE CLIP	1	
62	307-078	URETHANE TUBE	1	
63	303-257	OIL VALVE	1	
64	307-079	TUBE	1	
65	307-087	SHEET PACKING (A)	1	
66	984-516	CAP SCREW	3	
67	980-262	SPRING (A)	3	
68	959-150	STEEL BALL D6.35 (10 PCS.)	3	
69	307-060	HANDLE BOSS HOLDER (B)	1	
70	307-059	HANDLE BOSS HOLDER (A)	1	
71	307-118	HANDLE	3	
72	303-241	HANDLE HOLDER	3	
73	949-747	ROLL PIN D6X25 (10 PCS.)	3	
74	303-242	ROLL PIN D3.5X25	3	
75	307-052	GEAR SHAFT (B)	2	
76		NAME PLATE	1	
77	307-083	PANEL (A)	1	
78	307-061	HANDLE BOSS	1	
79	949-458	SPRING WASHER M10 (10 PCS.)	1	
80	981-708	CAP NUT M10	1	
81	307-109	SEAL LOCK SCREW (W/WASHERS) M4X16	2	
82		MARK PLATE (T)	1	
83		CAUTION PLATE (A)	1	
84	944-786	CHAIN	1	
85	308-033	DUST NUT	1	
100		SWITCH BOX ASSEMBLY		
101	303-255	SEAL LOCK SCREW (W/SP. WASHER) M4X10	6	
102	307-084	PANEL (B)	1	
103	309-582	TRIAC CT	1	
104	307-063	SEAL LOCK SCREW (W/SP. WASHER) M5X30	3	
105	303-300	CORD STOPPER (B)	1	
106	309-577	SWITCH BOX	1	
107	303-270	WIRE CLIP	1	
108	303-851	SEAL LOCK SCREW (W/WASHERS) M4X10 (BLACK)	1	
109	983-684	WIRE BAND	8	
110	307-068	CABLE	1	
111	309-581	CONTROLLER ASS'Y	1	INCLUD.113
112	309-584	FUSE	1	
113	301-839	VARISTOR	1	
114	304-043	MACHINE SCREW (W/WASHERS) M4X10 (BLACK)	3	
115	309-580	SWITCH PANEL (A)	1	
116	307-108	INDICATOR	1	
117	309-579	SWITCH PANEL ASS'Y	1	INCLUD.115,116

*: ALTERNATIVE PARTS

PARTS

BM 25Y

ITEM NO.	CODE NO.	DESCRIPTION	NO. USED	REMARKS
118	930-039	NOISE SUPPRESSOR	1	
119	959-141	CONNECTOR 50092 (10 PCS.)	5	
120	955-908	CHOKE COIL	1	
121	958-308Z	PILLAR TERMINAL (A)	1	
122	309-578	CORD STOPPER (C)	1	
* 123	500-441Z	CORD	1	
* 123	500-442Z	CORD	1	FOR GBR
130		FEED REDUCTION ASSEMBLY		
131	301-939	PINION	1	
132	307-046	SEAL LOCK SCREW (W/SP. WASHER) M5X16	11	
133	307-039	INNER COVER (C)	1	
134	949-756	PIN D4X12 (10 PCS.)	4	
135	600-1VV	BALL BEARING 6001VVCMP2L	1	
136	984-236	BEARING COVER (B)	1	
137	991-207	SEAL LOCK SCREW (W/SP. WASHER) M4X8	14	
138	307-047	FLANGE SHAFT	1	
139	626-VVM	BALL BEARING 626VVMC2ERPS2S	2	
140	307-042	CIRCULAR SPLINE (S)	1	
141	307-041	CIRCULAR SPLINE (D)	1	
142	303-223	FLEXIBLE SPLINE	1	
143	992-805	RETAINING RING FOR D9 SHAFT	1	
144	307-040	WAVE GENERATOR	1	
145	307-043	INNER COVER (B)	1	
146	944-109	FEATHER KEY 3X3X8	1	
147	307-044	SHAFT(A)	1	
148	307-045	FEED FIRST GEAR	1	
149	999-047	CARBON BRUSH (2 PCS.)	2	
150	307-347	BRUSH CAP	2	
151	309-585	FEED MOTOR ASS'Y	1	INCLUD.149,150
170		ELECTRIC DRILL ASSEMBLY		
171	993-522	CENTER PIN GUIDE	1	
172	995-885	THRUST WASHER	1	
173	307-117	SENER PIN	1	
174	303-310	SPRING (STANDARD)	1	
175	303-276	SPINDLE	1	
176	940-533	FEATHER KEY 3X3X10	1	
177	931-008	FEATHER KEY 4X4X12	1	
178	307-046	SEAL LOCK SCREW (W/SP. WASHER) M5X16	4	
179	303-668	FRONT COVER	1	
180	998-954	WASHER (B)	1	
181	307-094	BALL SLEEVE (B)	1	
182	956-057	STEEL BALL D14.29	3	
183	993-535	RETAINER (A)	1	
184	307-095	BALL SLEEVE (A)	1	
185	995-854	THRUST BEARING (51108)	1	
186	995-855	SPRING (A)	1	
187	307-096	GEAR COVER	1	
188	307-082	CLAMP (A)	1	
189	877-838	SEAL LOCK HEX. SOCKET HD. BOLT M4X8	1	
190	608-VVM	BALL BEARING 608VVMC2EPS2L	3	
191	932-819	WOODRUFF KEY 3X10	1	

*: ALTERNATIVE PARTS

STANDARD ACCESSORIES

BM 25Y

ITEM NO.	CODE NO.	DESCRIPTION	NO. USED	REMARKS
501	305-850	STEEL CORE BIT D18 T35	1	
502	303-311	SPRING FOR THIN PLATE	1	
503	944-458	HEX. BAR WRENCH 4MM	1	
504	872-873	WRENCH 13MM	1	
505	993-507	WRENCH 22MM	1	
508	963-184	WRENCH 27MM	1	
507		CUTTING OIL (500CC)	1	

OPTIONAL ACCESSORIES

ITEM NO.	CODE NO.	DESCRIPTION	NO. USED	REMARKS
801	993-580	STEEL CORE BIT D14 T25	1	
802	993-581	STEEL CORE BIT D14.5 T25	1	
803	993-582	STEEL CORE BIT D15 T25	1	
804	993-553	STEEL CORE BIT D18 T25	1	
805	993-554	STEEL CORE BIT D17.5 T25	1	
806	305-850	STEEL CORE BIT D18 T35	1	
807	305-851	STEEL CORE BIT D19 T35	1	
808	305-852	STEEL CORE BIT D20 T35	1	
809	305-853	STEEL CORE BIT D21 T35	1	
810	305-854	STEEL CORE BIT D21.5 T35	1	
811	305-855	STEEL CORE BIT D22 T35	1	
812	305-856	STEEL CORE BIT D22.5 T35	1	
813	305-857	STEEL CORE BIT D23 T35	1	
814	305-858	STEEL CORE BIT D23.5 T35	1	
815	305-859	STEEL CORE BIT D24 T35	1	
816	305-860	STEEL CORE BIT D24.5 T35	1	
817	305-861	STEEL CORE BIT D25 T35	1	
818	305-862	STEEL CORE BIT D25.5 T35	1	
819	305-863	STEEL CORE BIT D26 T35	1	
820	305-864	STEEL CORE BIT D26.5 T35	1	
821	305-865	STEEL CORE BIT D27 T35	1	
822	305-866	STEEL CORE BIT D28 T35	1	
823	305-867	STEEL CORE BIT D29 T35	1	
824	305-868	STEEL CORE BIT D30 T35	1	
825	993-578	CUTTING OIL (1 LITER)	1	
826	997-236	CUTTING OIL (4 LITER)	1	
827	305-874	COSMO MOLYBDENUM GREASE (1 KG)	1	

*: ALTERNATIVE PARTS

Printed in Japan

6-94