

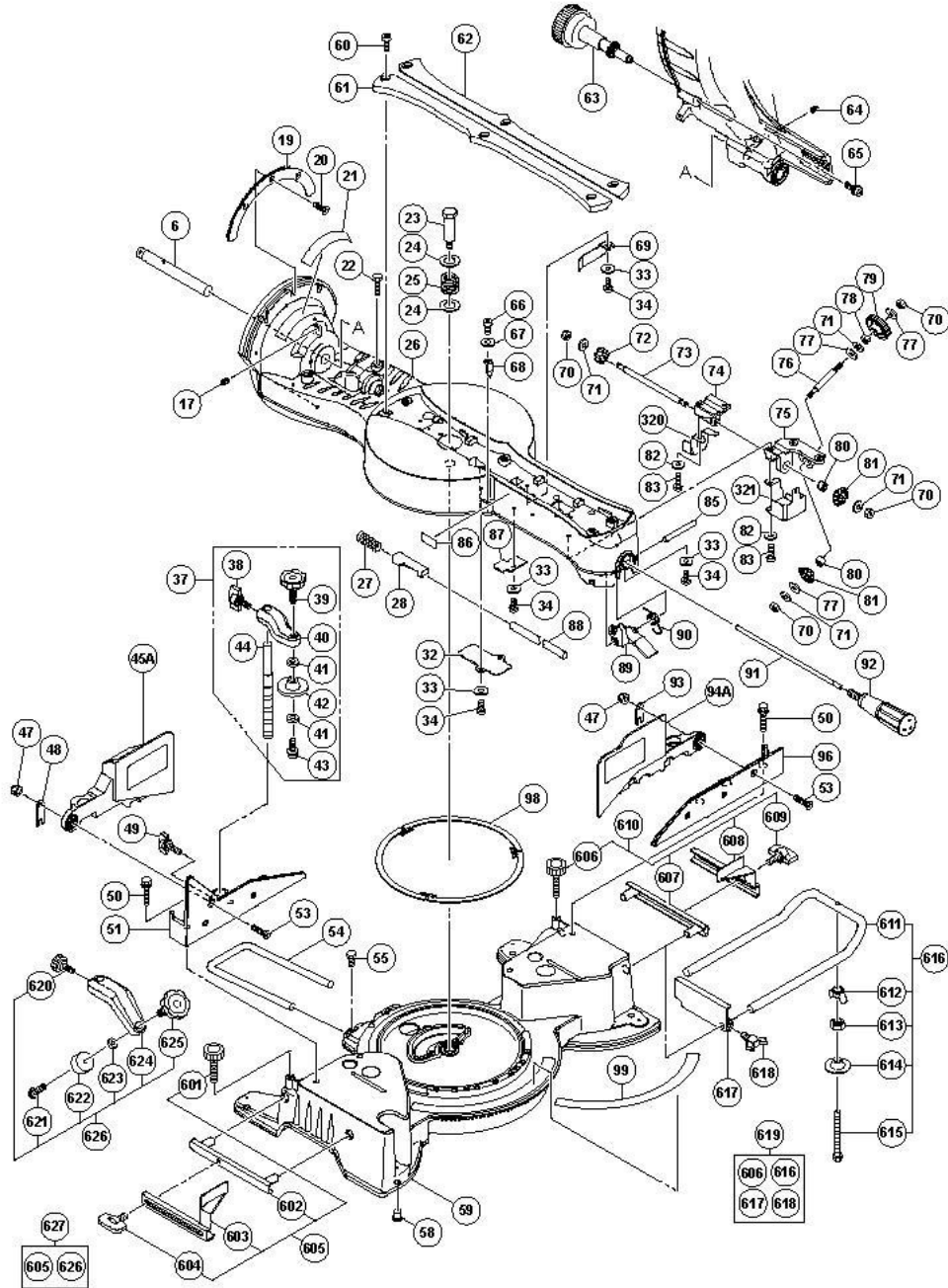
Hitachi Power Tools



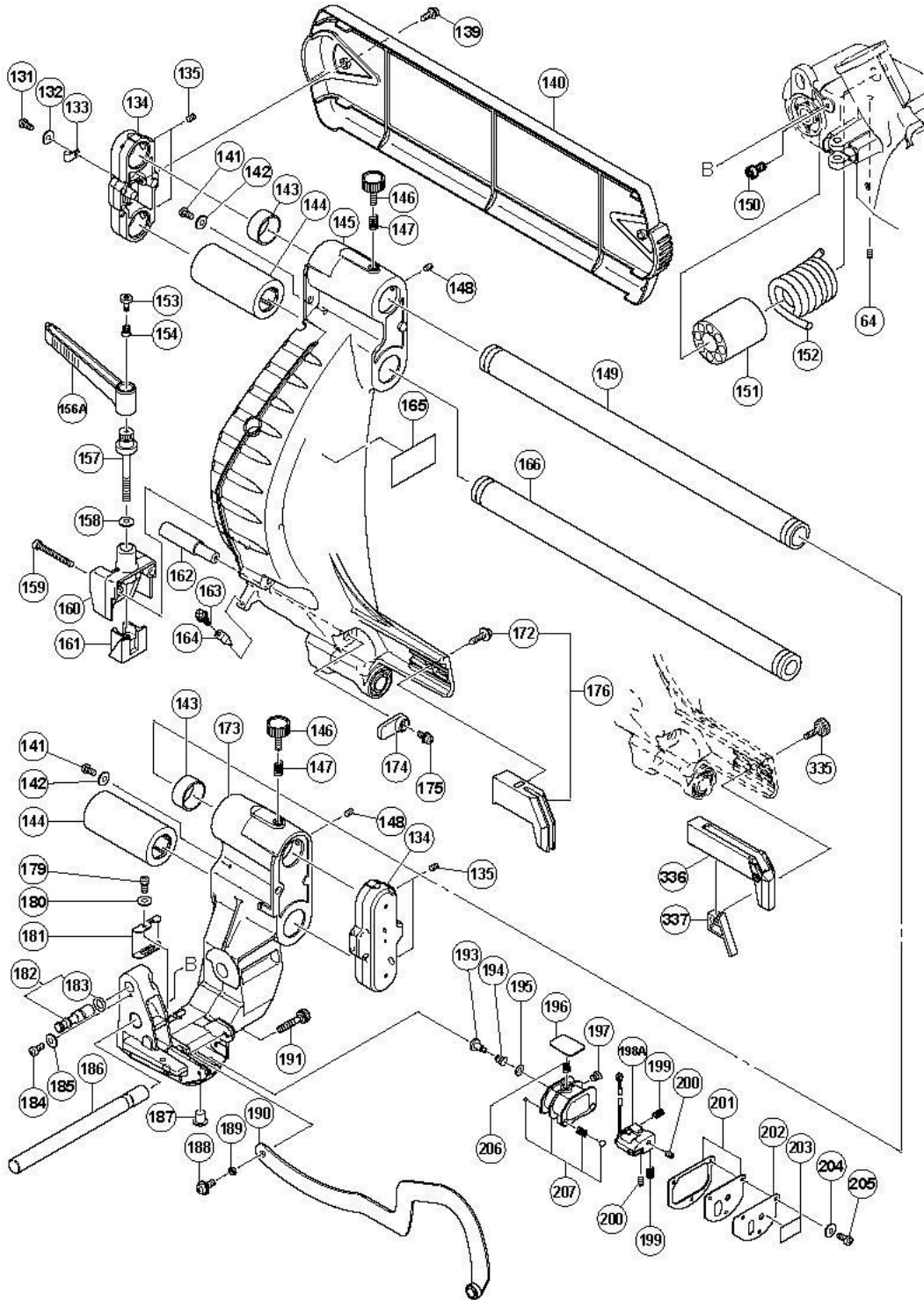
LIST NO. E942

ELECTRIC TOOL PARTS LIST

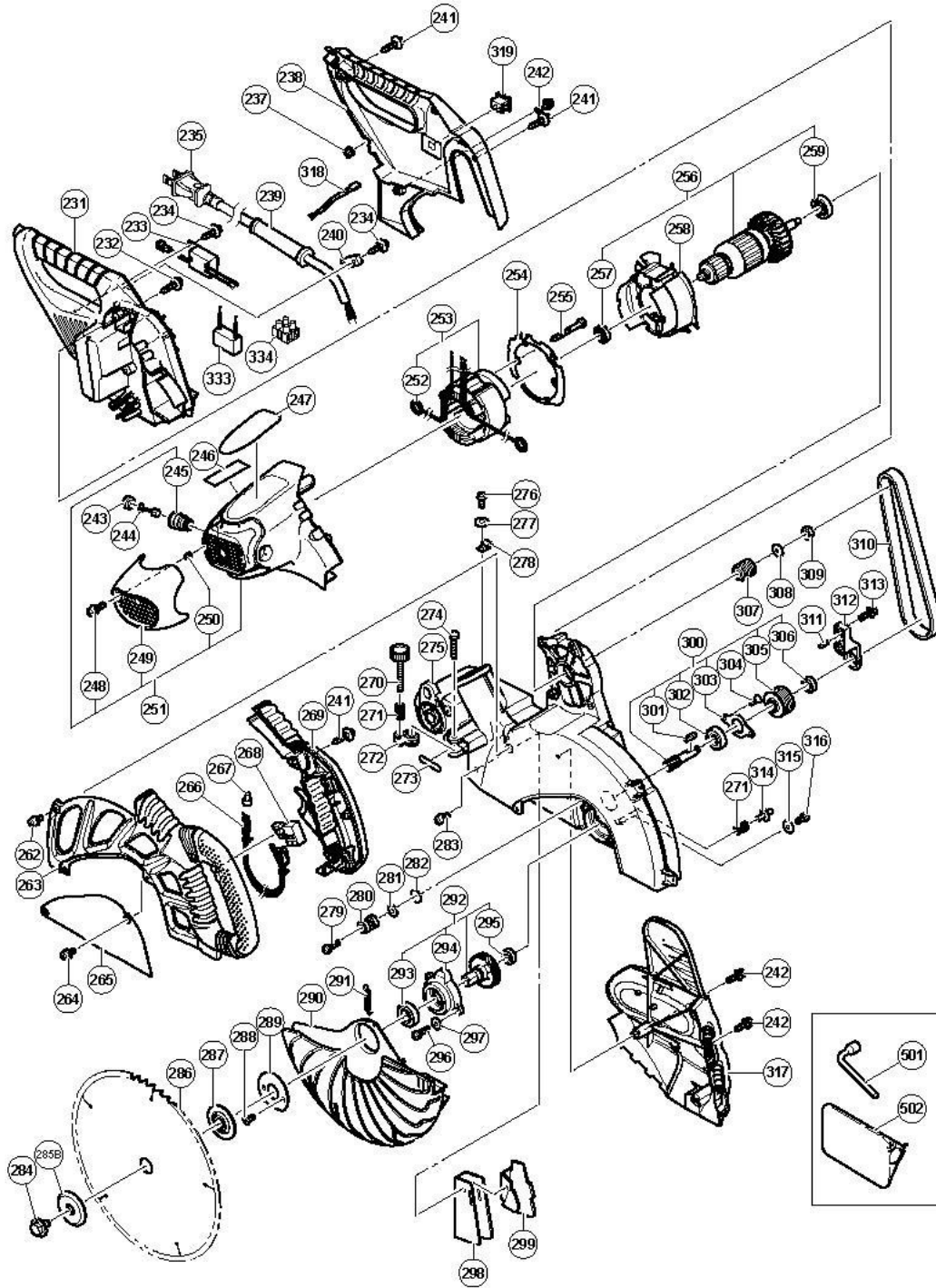
SLIDE COMPOUND MITER SAW 2007·6·1
Model C 12RSH (E2)



C 12RSH



C 12RSH



C12RSH

Pos. Nr.	Art. Nr.	Beschreibung	Stueck	Kommentar	Beschreibung
6	324-391		1		HOLDER SHAFT
17	324-612		1		NYLOCK HEX. SOCKET SET SCREW M8X16
19	324-399		1		GEAR (A)
20	949-325		3		FLAT HD. SCREW M4X16 (10 PCS.)
21	324-416		1		SCALE (B)
22	303-409	SECHSKANTSCHRAUBE M8X25 (SELBSTS)	2		NYLOCK BOLT M8X25
23	324-401		1		SHAFT (B)
24	955-818	Unterlegscheibe M16 C15FB	2		BOLT WASHER M16
25	324-402		1		SPRING (B)
26	324-394		1		TURN TABLE
27	321-417		1		SPRING (E)
28	322-280		1		STOPPER (A)
32	321-336		1		PIN COVER
33	949-429	UNTERLEGSSCHEIBE M4 (10ST)	4		BOLT WASHER M4 (10 PCS.)
34	949-215	+KOPFSCHRAUBE M4X 8 (10ST)	4		MACHINE SCREW M4X8 (10 PCS.)
37	324-378		1	INCLUD.38-44	WISE ASS'Y
38	307-947		1		WING BOLT M6X12
39	308-396		1		KNOB BOLT M10
40			1		SCREW HOLDER
41	996-722		2		WASHER
42	322-047	Schraubstock C10FCH	1		WISE PLATE
43	996-247		1		MACHINE SCREW (W/WASHERS) M5X12 (BLACK)
44	324-380		1		WISE SHAFT
45A	324-454		1		SUB FENCE (B)
47	311-144	Nylonmutter M6	2		NYLON NUT M6
48	324-377		1		PLATE (B)
49	302-459	FLUGELSCHRAUBE M6X17	1		WING BOLT M6X17
					BOLT

50	307-221	SCHRAUBE M8X35 M U-SCHEIBE (SCHWARZ)	4		(W/WASHERS) M8X35 (BLACK)
51	324-385		1		FENCE (B)
53	949-342	+SENKKOPFSCHRAUBE M6X25 (10ST)	2		FLAT HD. SCREW M6X25 (10 PCS.)
54	998-834	Halter C10FCB	1		HOLDER
55	949-610	Schraube M6x10 (10Stk)	1		BOLT M6X10 (10 PCS.)
58A	323-606	Gummifuss C12FCH	4		BASE RUBBER
59	324-456		1	"INCLUD.58,99"	BASE ASS'Y
60	302-317	#NAME?	6		MACHINE SCREW M5X16 (BLACK)
61	324-411		1		TABLE INSERT (B)
62	324-410		1		TABLE INSERT (A)
63	324-370		1		KNOB (B)
64	307-956	Schraube M6x10	2		SEAL LOCK HEX. SOCKET SET SCREW M6X10
65	307-294	#NAME?	1		MACHINE SCREW (W/WASHERS) M5X16 (BLACK)
66	949-217	+KOPFSCHRAUBE M4X12 (10ST)	1		MACHINE SCREW M4X12 (10 PCS.)
67	949-429	UNTERLEGSCHNEIBE M4 (10ST)	1		BOLT WASHER M4 (10 PCS.)
68	321-329		1		INDICATOR
69	321-342		1		SPACER (A)
70	949-567		4		LOCK NUT M6 (10 PCS.)
71	949-455	FEDERSCHNEIBE M6 (10ST)	4		SPRING WASHER M6 (10 PCS.)
72	324-407		1		GEAR (D)
73	324-405		1		BEVEL SHAFT (B)
74	324-404		1		SHAFT HOLDER (B)
75	324-403		1		SHAFT HOLDER (A)
76	324-408		1		BEVEL SHAFT (A)

77	949-432	UNTERLEGSCHIEBE M6 (10ST)	3		BOLT WASHER M6 (10 PCS.)
78	949-556	MUTTER M6 (10ST)	1		NUT M6 (10 PCS.)
79	324-409		1		KNOB (A)
80	950-817		2		METAL D8X10
81	324-406		2		BEVEL GEAR
82	949-454	FEDERSCHIEBE M5 (10ST)	4		SPRING WASHER M5 (10 PCS.)
83	949-241	+KOPFSCHRAUBE M5X20 (10ST)	4		MACHINE SCREW M5X20 (10 PCS.)
85	321-339		1		LEVER SHAFT
86			1		CAUTION LABEL (C)
86	000-008D		1	"FOR USA,CAN"	
87	324-395		1		COVER (B)
88	324-396		1		SHAFT (C)
89	321-338		1		LEVER
90	321-340		1		SPRING (D)
91	322-282		1		SHAFT (A)
92	322-283	Seitengriff C8FS	1		SIDE HANDLE
93	324-381		1		PLATE (A)
94A	324-455		1		SUB FENCE (A)
96	324-384		1		FENCE (A)
98	324-400		3		LINER
99	315-210		1		SCALE (A)
131	949-217	+KOPFSCHRAUBE M4X12 (10ST)	1		MACHINE SCREW M4X12 (10 PCS.)
132	949-429	UNTERLEGSCHIEBE M4 (10ST)	1		BOLT WASHER M4 (10 PCS.)
133	948-614		1		NYLON CLIP
133	948-193	NYLONKLAMMER C8FC/FS	1	"FOR USA,CAN"	NYLON CLIP
133	967-579		1	FOR TPE	NYLON CLIP
134	324-417		2		SUPPORT
135	961-554	INBUSSCHRAUBE M8X10 M8	4		HEX. SOCKET SET SCREW M8X10
139	307-294	#NAME?	2		MACHINE SCREW (W/WASHERS) M5X16 (BLACK)
140	324-383		1		SIDE COVER
					MACHINE

141	949-215	+KOPFSCHRAUBE M4X 8 (10ST)	2		SCREW M4X8 (10 PCS.)
142	949-429	UNTERLEGSCHIEBE M4 (10ST)	2		BOLT WASHER M4 (10 PCS.)
143	324-415		2		BUSHING
144	324-414		2		BALL BUSHING
145	324-413		1		HOLDER (A)
146	324-418		2		KNOB BOLT M6X25
147	947-859	FEDER M8/M8V/M12SA/M12V	2		LOCK SPRING
148	307-956	Schraube M6x10	2		SEAL LOCK HEX. SOCKET SET SCREW M6X10
149	324-465		1		SLIDE PIPE (A)
150	877-839	INBUSSCHRAUBE MIT DICHTUNG M5X10	1		SEAL LOCK HEX. SOCKET HD. BOLT M5X10
151	324-388		1		SLEEVE
152	310-898		1		SPRING
153	305-180	Kupplungsschraube C10FSH	1		CLUTCH SCREW
154	305-179	Kupplungsfeder C10FSH	1		CLUTCH SPRING
156A	325-298		1		CLAMP LEVER
157	323-903		1		BOLT M8X65
158	949-433	UNTERLEGSCHIEBE M8 (10ST)	1		BOLT WASHER M8 (10 PCS.)
159	949-782		2		HEX. SOCKET HD. BOLT M6X50 (10 PCS.)
160	323-904		1		STOPPER HOLDER (C)
161	323-905		1		STOPPER (C)
162	324-420		1		SET PIN (A)
163	935-196	#NAME?	2		MACHINE SCREW (W/WASHERS) M4X12 (BLACK)
164	321-329		2		INDICATOR
165			1		CAUTION LABEL (B)
166	324-466		1		SLIDE PIPE (B)
172	305-558	SCHNEIDSCHRAUBE D5X25 M FLANSCH (SCHWARZ	1	"FOR USA,CAN"	TAPPING SCREW (W/FLANGE) D5X25 (BLACK)
173	324-467		1		HINGE (A)
174	324-421		1		GRIP

175	307-294	#NAME?	1		MACHINE SCREW (W/WASHERS) M5X16 (BLACK)
176	324-372		1	"INCLUD.172 FOR USA,CAN"	GUARD ASS'Y
179	949-215	+KOPFSCHRAUBE M4X 8 (10ST)	1		MACHINE SCREW M4X8 (10 PCS.)
180	949-429	UNTERLEGSCHIEBE M4 (10ST)	1		BOLT WASHER M4 (10 PCS.)
181	320-183		1		COVER
182	324-419		1	INCLUD.183	STOPPER PIN ASS'Y
183	872-645	O-RING (1P-9) DH20V	1		O-RING (P-9)
184	949-215	+KOPFSCHRAUBE M4X 8 (10ST)	1		MACHINE SCREW M4X8 (10 PCS.)
185	949-429	UNTERLEGSCHIEBE M4 (10ST)	1		BOLT WASHER M4 (10 PCS.)
186	324-387		1		HINGE SHAFT (A)
187A	323-606	Gummifuss C12FCH	1		BASE RUBBER
188	949-237	+KOPFSCHRAUBE M5X12 (10ST)	1		MACHINE SCREW M5X12 (10 PCS.)
189	303-854	DISTANZBUCHSE C8FS	1		SPACER
190	324-376		1		LINK
190	328-522		1	"FOR EUROPE,AUS,NZL"	LINK
191	319-270		1		ADJUSTER
193	305-180	Kupplungsschraube C10FSH	1		CLUTCH SCREW
194	305-179	Kupplungsfeder C10FSH	1		CLUTCH SPRING
195	962-614		1		ADJUSTING WASHER (B) T0.5
196	319-268		1		PLATE (B)
197	305-179	Kupplungsfeder C10FSH	1		CLUTCH SPRING
198A	321-348	Laser Marker C10FSH	1		LASER MARKER
199	319-267		2		SPRING
200	319-541		2		SEAL LOCK HEX. SOCKET SET SCREW M5X6
201	319-271		1		COVER (A)
202	322-291		1		PLATE (A)
203			1		CAUTION LABEL

					(J)
204	949-429	UNTERLEGSCHNEIBE M4 (10ST)	3		BOLT WASHER M4 (10 PCS.)
205	949-217	+KOPFSCHRAUBE M4X12 (10ST)	3		MACHINE SCREW M4X12 (10 PCS.)
206	319-267		1		SPRING
207	319-269		1		HOLDER (B)
231	324-460		1		HANDLE (L)
232	305-558	SCHNEIDSCHRAUBE D5X25 M FLANSCH (SCHWARZ)	4		TAPPING SCREW (W/FLANGE) D5X25 (BLACK)
233	323-978	Stromregler C10FCH	1		SWITCHING POWER SUPPLY
233	322-911		1	"FOR USA,CAN"	SWITCHING POWER SUPPLY
233	324-322	Schalernetzteil kpl C12FCH	1	"FOR GBR (110V),TPE"	SWITCHING POWER SUPPLY
234	984-750	SCHNEIDSCHRAUBE D4X16 MIT FLANSCH	3		TAPPING SCREW (W/FLANGE) D4X16
235	500-234Z		1	(CORD ARMOR D10.1)	CORD
235	500-247Z		1	"(CORD ARMOR D10.1) FOR NOR,SWE,FIN,DEN"	CORD
235	500-461Z		1	(CORD ARMOR D10.1) FOR GBR (110V)	CORD
235	500-435Z		1	(CORD ARMOR D10.1) FOR GBR (230V)	CORD
235	500-447Z	Anschlusskabel	1	"(CORD ARMOR D10.1) FOR SUI,LIB"	CORD
235	500-453Z		1	"(CORD ARMOR D10.1) FOR USA,CAN"	CORD
235	500-439Z	Anschlusskabel Neue Art -Nr 714500	1	"(CORD ARMOR D10.1) FOR AUS,NZL"	CORD
235	500-456Z		1	(CORD ARMOR D10.1) FOR CHN	CORD
235	500-474Z		1	(CORD ARMOR D10.1) FOR TPE	CORD
235	500-423Z		1	"(CORD ARMOR D10.1) FOR SIN,UAE,MAL"	CORD
235	500-468Z		1	"(CORD ARMOR D10.1) FOR THA,PHI"	CORD
237	319-349	Kabelbuchse C10FCH	1		CORD BUSH
238	324-461		1		HANDLE (R)

239	938-051	KABELKNICKSCHUTZ D10 1 DIV TYPEN	1		CORD ARMOR D10.1
240	937-631	KABELKLEMME DIV TYPEN	1		CORD CLIP
241	301-653	SCHNEIDSCHRAUBE D4X20 MIT FLANSCH (SCHWA	6		TAPPING SCREW (W/FLANGE) D4X20 (BLACK)
242	880-734	MASCHINENSCHRAUBE M5X25 G12SE/u a	5		MACHINE SCREW (W/WASHERS) M5X25 (BLACK)
243	945-161	KOHLLENKAPPE C6U/C7U u a H30PV/DH30PC	2		BRUSH CAP
244	999-038	KOHLLENBURSTEN (PAAR)	2	FOR 110V-120V	CARBON BRUSH (1 PAIR)
244	999-065	Kohlenbursten C10FCH	2	FOR 220V-240V	CARBON BRUSH (1 PAIR)
245	938-241	KOHLLENHALTER BM25Y/P20SD/P50	2		BRUSH HOLDER
246			1		CAUTION LABEL (A)
246	000-008D		1	"FOR USA,CAN"	
247			1		NAME PLATE
248	990-541	#NAME?	2		MACHINE SCREW (W/WASHERS) M5X16
249	324-445		1		TAIL COVER
250	938-477	INBUSSTIFTSCHRAUBE M5X8	2		HEX. SOCKET SET SCREW M5X8
251	324-459		1	"INCLUD.245,248-250"	HOUSING ASS'Y
252	937-623	KOHLLENHALTERKLEMMER BM25Y/C8U/C9U/DH50SA	2		BRUSH TERMINAL
253	340-626D		1	INCLUD.252	STATOR ASS'Y 110V
253	340-626C		1	INCLUD.252	STATOR ASS'Y 120V
253	340-703E		1	INCLUD.252	STATOR (B) ASS'Y 220V-230V
253	340-693E		1	INCLUD.252 FOR NZL	STATOR ASS'Y (C) 230V
253	340-703F		1	INCLUD.252	STATOR (B) ASS'Y 240V
254	324-397		1		END PLATE
255	953-121	SECHSKANTSCHNEIDSCHRAUBE D5X50	2		HEX. HD. TAPPING SCREW D5X50

256	360-790B		1	"INCLUD.257,259,307-309"	ARMATURE ASS'Y 220V-230V
256	360-790C		1	"INCLUD.257,259,307-309"	ARMATURE ASS'Y 240V
256A	360-711U		1	"INCLUD.257,259,307-310"	ARMATURE ASS'Y 110V-120V
257	600-0VV	KUGELLAGER 6000 VV	1		BALL BEARING 6000VVCMP52L
258	324-442		1		FAN GUIDE
259	620-1VV	KUGELLAGER 6201 VV	1		BALL BEARING 6201VVCMP52L
262	976-706		1		MACHINE SCREW (W/WASHERS) M5X10
263	324-448		1		SWITCH HANDLE (L)
264	996-247		2		MACHINE SCREW (W/WASHERS) M5X12 (BLACK)
265	324-462		1		SPINDLE COVER
266	324-425		1		INTERNAL WIRE (A)
266	326-827		1	FOR NZL	INTERNAL WIRE (A)
267	959-141	VERBINDER 50092 (10ST) DIV TYPEN	2		CONNECTOR 50092 (10 PCS.)
267	959-141	VERBINDER 50092 (10ST) DIV TYPEN	1	FOR NZL	CONNECTOR 50092 (10 PCS.)
267	959-141	VERBINDER 50092 (10ST) DIV TYPEN	4	"FOR USA,CAN"	CONNECTOR 50092 (10 PCS.)
268	324-424		1		SWITCH (3P FASTON TYPE) W/O LOCK
269	324-449		1		SWITCH HANDLE (R)
270	961-468		1		KNOB BOLT M6X37
271	988-821		2		LOCK SPRING
272	322-314		1		STOPPER HOLDER
273	322-313		1		SPRING PLATE
274	303-410		1		NYLOCK BOLT M8X40
275	324-437		1		GEAR CASE

276	949-217	+KOPFSCHRAUBE M4X12 (10ST)	1		MACHINE SCREW M4X12 (10 PCS.)
277	949-429	UNTERLEGSCHIEBE M4 (10ST)	1		BOLT WASHER M4 (10 PCS.)
278	973-313		1		NYLON CLIP
279	949-260		1		MACHINE SCREW M6X25 (10 PCS.)
280	606-ZZM	KUGELLAGER 606ZZM	2		BALL BEARING 606ZZC2PS2L
281	949-455	FEDERSCHIEBE M6 (10ST)	1		SPRING WASHER M6 (10 PCS.)
282	949-425	UNTERLEGSCHIEBE M6 (10ST)	1		WASHER M6 (10 PCS.)
283	935-196	#NAME?	1		MACHINE SCREW (W/WASHERS) M4X12 (BLACK)
284	988-101	Bolzen (A) M10	1		BOLT (A) M10
285B	323-652		1	EXCEPT FOR EUROPE	WASHER (B)
286	328-213		1		TCT SAW BLADE 305MM-D30 HOLE-NT60
286	328-326		1		TCT SAW BLADE 305MM-D25.4 HOLE-NT60
286	324-269		1		TCT SAW BLADE 305MM-D25.4 HOLE-NT120
287	324-452		1	EXCEPT FOR EUROPE	WASHER (A)
288	949-322	SENKKOPFSCHRAUBE M4X10 (10ST)	2		FLAT HD. SCREW M4X10 (10 PCS.)
289	307-731	Abdeckung C10FSB	1		COVER
290	324-375		1		PROTECTIVE COVER
290	328-523		1	FOR EUROPE	PROTECTIVE COVER
291A	328-188		1		RETURN SPRING (B)
292	324-438		1	INCLUD.293-295	SPINDLE ASS'Y
293	600-3DD	KUGELLAGER 6003 DD	1		BALL BEARING 6003DDCMPS2S
294	324-439		1		BEARING HOLDER
					BALL BEARING

295	608-VVM	KUGELLAGER 608 VVM	1		608VVC2PS2L
296	949-241	+KOPFSCHRAUBE M5X20 (10ST)	2		MACHINE SCREW M5X20 (10 PCS.)
297	949-454	FEDERSCHEIBE M5 (10ST)	2		SPRING WASHER M5 (10 PCS.)
298	321-364		1		DUST GUIDE
299	312-492	Führungshalter C10FSB	1		GUIDE HOLDER
300	324-440		1	"INCLUD.301- 303,305,306"	PINION ASS'Y
301	948-919	KEIL 4X4X15 CM12Y/CT8FA	1		FEATHER KEY 4X4X15
302	620-1VV	KUGELLAGER 6201 VV	1		BALL BEARING 6201VVCMP2L
303	322-301		1		COVER (C)
304	949-322	SENKKOPFSCHRAUBE M4X10 (10ST)	2		FLAT HD. SCREW M4X10 (10 PCS.)
305	324-441		1		PULLEY (B)
306	321-399		1		BALL BEARING 608VVC2NS7L
307	324-443		1		PULLEY (A)
308	961-157	SPANNSCHEIBE C13U	1		SUPER LOCK WASHER
309	949-560		1		NUT M10 (10 PCS.)
310	324-427		1		BELT (200H10) 16X508
311	983-545	NADELROLLE CR10V/FCJ65V u a	2		NEEDLE ROLLER
312A	325-259		1		BEARING HOLDER (B)
313	995-096	Maschinenschraube C8FS	2		MACHINE SCREW (W/WASHERS) M5X20 (BLACK)
314	307-732		1		STOPPER PIN
315	949-429	UNTERLEGSCHIEBE M4 (10ST)	1		BOLT WASHER M4 (10 PCS.)
316	949-215	+KOPFSCHRAUBE M4X 8 (10ST)	1		MACHINE SCREW M4X8 (10 PCS.)
317	324-450		1		PULLEY COVER
318	324-458		1		INTERNAL WIRE (C)
319	319-503		1		SWITCH (W/COVER)

320	324-821		1		GEAR COVER (B)
321	324-822		1		GEAR COVER (C)
333	930-039	KONDENSATOR C6U-C13U u a	1	"EXCEPT FOR USA,CAN"	NOISE SUPPRESSOR
334	958-308Z	SCHRAUBKLEMME 2-REIHIG DIV TYPEN	1	"EXCEPT FOR USA,CAN"	PILLAR TERMINAL (A)
335	998-879		1	"EXCEPT FOR USA,CAN"	KNOB BOLT
336	326-828		1	"EXCEPT FOR USA,CAN"	GUARD
337	321-394		1	"EXCEPT FOR USA,CAN"	GUARD HOLDER
338	328-521		1	"FOR EUROPE,AUS,NZL"	SUB COVER
339	328-518		1	"FOR EUROPE,AUS,NZL"	LEVER
340	302-757	BUCHSE C8FS	3	"FOR EUROPE,AUS,NZL"	SPACER
341	307-811	SCHNEIDSCHRAUBE D4X16 M FLANSCH	2	"FOR EUROPE,AUS,NZL"	TAPPING SCREW (W/FLANGE) D4X16 (BLACK)
342	954-878	Maschinenschraube M4x16	1	"FOR EUROPE,AUS,NZL"	MACHINE SCREW (W/WASHERS) M4X16
343	328-519		1	"FOR EUROPE,AUS,NZL"	LEVER COVER
344	307-811	SCHNEIDSCHRAUBE D4X16 M FLANSCH	2	"FOR EUROPE,AUS,NZL"	TAPPING SCREW (W/FLANGE) D4X16 (BLACK)
345	322-457		1	"FOR EUROPE,AUS,NZL"	LEVER SPRING
346	307-294	#NAME?	2	"FOR EUROPE,AUS,NZL"	MACHINE SCREW (W/WASHERS) M5X16 (BLACK)
347	324-518		1	"EXCEPT FOR USA,CAN,NZL"	FERRITE CORE
348	324-633	Unterlegscheibe (D) C12FCH	1	FOR EUROPE	WASHER (D)
349	328-520		1	FOR EUROPE	WASHER (C)
350			1		CAUTION LABEL (H)
350	000-008D		0	FOR EUROPE	
501	985-051		1		BOX WRENCH 17MM
502A	322-955	Staubbeutel C10FCH	1		DUST BAG (BLACK)

601	960-017		1		KNOB BOLT M6X32
602	321-390	Halierung fur Werkzeugspannvorrichtung C	1		CROWN MOLDING STOPPER HOLDER
603			1		CROWN MOLDING STOPPER (L)
604	301-806	FLUGELSCHRAUBE M6X15	1		WING BOLT M6X15
605	321-374	Werkstückspanner links komplett fur C10F	1	INCLUD.601-604	CROWN MOLDING STOPPER (L) ASS'Y
606	960-017		2		KNOB BOLT M6X32
607	321-390	Halierung fur Werkzeugspannvorrichtung C	1		CROWN MOLDING STOPPER HOLDER
608			1		CROWN MOLDING STOPPER (R)
609	301-806	FLUGELSCHRAUBE M6X15	1		WING BOLT M6X15
610	321-373	Werkstückspanner rechts komplett fur C10	1	INCLUD.606-609	CROWN MOLDING STOPPER (R) ASS'Y
611	321-549	Halter C10FCH	2		HOLDER
612	949-313	FLUGELMUTTER M6 (10ST)	2		WING NUT M6 (10 PCS.)
613	949-556	MUTTER M6 (10ST)	2		NUT M6 (10 PCS.)
614	322-047	Schraubstock C10FCH	2		WISE PLATE
615	324-412		2		HIGH TENSION BOLT M6X95
616	324-464		2	INCLUD.611-615	HOLDER ASS'Y
617	974-561	Stopper C10FCH	1		STOPPER
618	949-404	Flugelbolzen M6x20 (10Stk)	1		WING BOLT M6X20 (10 PCS.)
619	324-369		1	"INCLUD.606,616-618"	EXTENSION HOLDER AND STOPPER
620	998-836	KNAUFSCHRAUBE M6X11 C8FC/FS	1		KNOB BOLT M6X11
					MACHINE

621	304-043	#NAME?	1		SCREW (W/WASHERS) M4X10 (BLACK)
622	964-851	GUMMIFUSS C8FS	1		BASE RUBBER
623	306-985	Unterlegscheibe (H)	1		WASHER (H)
624			1		SCREW HOLDER (B)
625	321-551	Knopfbolzen M10x54	1		KNOB BOLT M10X54
626	321-388	Schraubstock(Kronenform) fur C 10 FSH	1	INCLUD.620-625	WISE (B) ASS'Y
627	321-434		1	"INCLUD.605,626"	CROWN MOLDING VISE ASS'Y
628	305-546		1		TCT SAW BLADE 305MM-D25.4 HOLE-NT60
629	309-418		1		TCT SAW BLADE 305MM-D25.4 HOLE-NT80
630	301-721		1		TCT SAW BLADE 305MM-D25.4 HOLE-NT90
631	310-875		1		TCT SAW BLADE 305MM-D25.4 HOLE-NT96