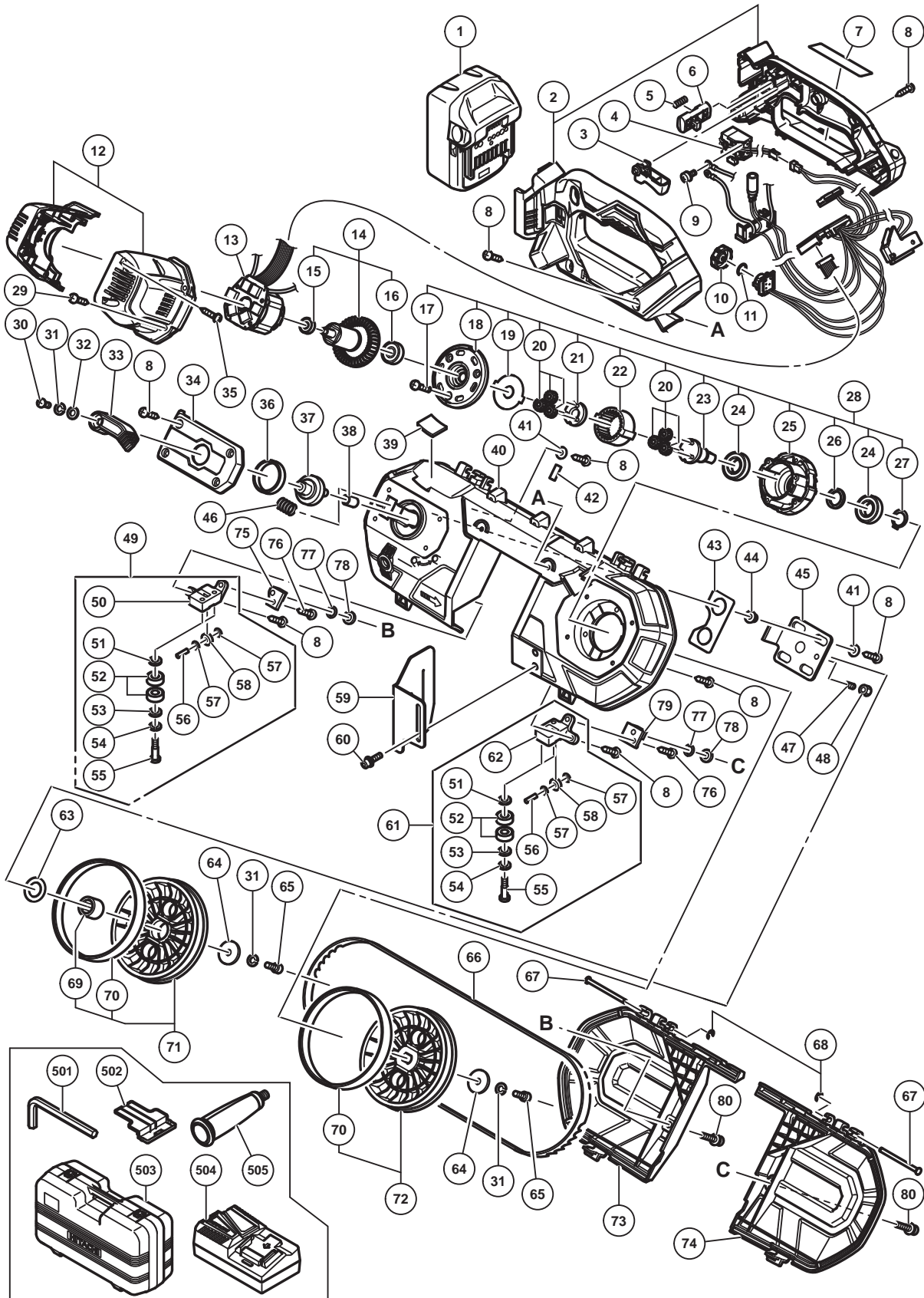


## ELECTRIC TOOL PARTS LIST

### CORDLESS BAND SAW Model CB 18DBL

2015-7-9  
(E1)



## PARTS

CB 18DBL

ITEM NO.	CODE NO.	DESCRIPTION	NO. USED	REMARKS
1	336385	BATTERY BSL 1850(EUROPE,AUS,NZL)(2 PCS.)	2	INCLUD.502
2	338953	HANDLE SET	1	
3	338899	TRIGGER	1	
4	338900	SWITCH	1	
5	336650	SPRING	1	
6	339247	KNOB	1	
7		NAME PLATE	1	
8	307811	TAPPING SCREW (W/FLANGE) D4 X 16 (BLACK)	24	
9	307887	MACHINE SCREW (W/WASHER) M3.5 X 6	2	
10	337397	DIAL	1	
11	987105	O-RING (S-10)	1	
12	338951	HOUSING SET	1	
13	340922	STATOR FET PCB	1	
14	361012	ROTOR PINION SET	1	INCLUD.15,16
15	333826	BALL BEARING 625DD	1	
16	333945	BALL BEARING 608VV	1	
17	339251	TAPPING SCREW D4 X 16	3	
18	339128	GEAR CASE COVER	1	
19	339133	LOCK WASHER	1	
20	339249	PLANET GEAR (A) SET (6 PCS.)	6	
21	339132	PINION (B)	1	
22	339131	RING GEAR	1	
23	339129	PULLEY SHAFT (A)	1	
24	6902VV	BALL BEARING 6902VV	2	
25	339127	GEAR CASE	1	
26	339130	RING	1	
27	939544	RETAINING RING FOR D15 SHAFT (10 PCS.)	1	
28	339126	GEAR BOX ASS'Y	1	INCLUD.17-27
29	339250	TAPPING SCREW (W/FLANGE) D4 X 20	4	
30	949256	MACHINE SCREW M6 X 16 (10 PCS.)	1	
31	949455	SPRING WASHER M6 (10 PCS.)	3	
32	949432	BOLT WASHER M6 (10 PCS.)	1	
33	338965	TENSION LEVER	1	
34	338961	TENSION LEVER HOLDER	1	
35	332929	TAPPING SCREW (W/FLANGE) D3 X 20	4	
36	338963	RING	1	
37	338962	LEVER SHAFT	1	
38	338964	SLEEVE	1	
39	339248	RUBBER CUSHION (B)	1	
40	338950	FRAME	1	
41	338971	WASHER (B)	5	
42	338978	BEARING PIN	1	
43	338970	PROTECTION PLATE	1	
44	338968	COLLAR	4	
45	338969	SLIDE PLATE	1	
46	338967	TENSION SPRING	1	
47	334142	SEAL LOCK HEX. SOCKET SET SCREW M5 X 10	1	
48	949566	LOCK NUT M5 (10 PCS.)	1	
49	338974	BEARING HOLDER (B) ASS'Y	1	INCLUD.50-58
50	338976	BEARING HOLDER (B)	1	

PARTS

CB 18DBL

ITEM NO.	CODE NO.	DESCRIPTION	NO. USED	REMARKS
51	949424	WASHER M5 (10 PCS.)	4	
52	606ZZM	BALL BEARING 606VV	8	
53	949432	BOLT WASHER M6 (10 PCS.)	4	
54	949455	SPRING WASHER M6 (10 PCS.)	4	
55	322681	BEARING PIN (B)	4	
56	322680	BEARING PIN	2	
57	323210	BOLT WASHER M4 (BLACK)	4	
58	323043	ROLLER 604VV	2	
59	338977	GUIDE PLATE	1	
60	996728	HEX. SOCKET HD. BOLT (W/WASHERS) M5 X 16	2	
61	338973	BEARING HOLDER (A) ASS'Y	1	INCLUD.51-58,62
62	338975	BEARING HOLDER (A)	1	
63	338972	FLAT WASHER	1	
64	338960	WASHER (A)	2	
65	949755	HEX. SOCKET HD. BOLT M6 X 16 (10 PCS.)	2	
66	338431	BAND SAW BLADE NO.1 18TPI (3 PCS.)	1	
67	339134	PIN D4	2	
68	872971	RETAINING RING (E-TYPE) FOR D3 SHAFT	2	
69	338957	NEEDLE BEARING	1	
70	338959	BLADE PULLEY RUBBER	2	
71	338956	BLADE PULLEY (B)	1	INCLUD.69,70
72	338955	BLADE PULLEY (A)	1	INCLUD.70
73	339370	BLADE PULLEY COVER (B)	1	
74	339369	BLADE PULLEY COVER (A)	1	
75	339372	COVER HOLDER (B)	1	
76	339250	TAPPING SCREW (W/FLANGE) D4 X 20	2	
77	981317	O-RING (S-4)	2	
78	949424	WASHER M5 (10 PCS.)	2	
79	339371	COVER HOLDER (A)	1	
80	996728	HEX. SOCKET HD. BOLT (W/WASHERS) M5 X 16	2	

**STANDARD ACCESSORIES**

CB 18DBL

ITEM NO.	CODE NO.	DESCRIPTION	NO. USED	REMARKS
501	944458	HEX. BAR WRENCH 4MM	1	
502	329897	BATTERY COVER	1	
503	338954	CASE	1	
504		CHARGER (MODEL UC 18YFSL)	1	
505	981828	SIDE HANDLE	1	

**OPTIONAL ACCESSORIES**

ITEM NO.	CODE NO.	DESCRIPTION	NO. USED	REMARKS
601	338430	BAND SAW BLADE NO.2 14TPI (3 PCS.)	1	