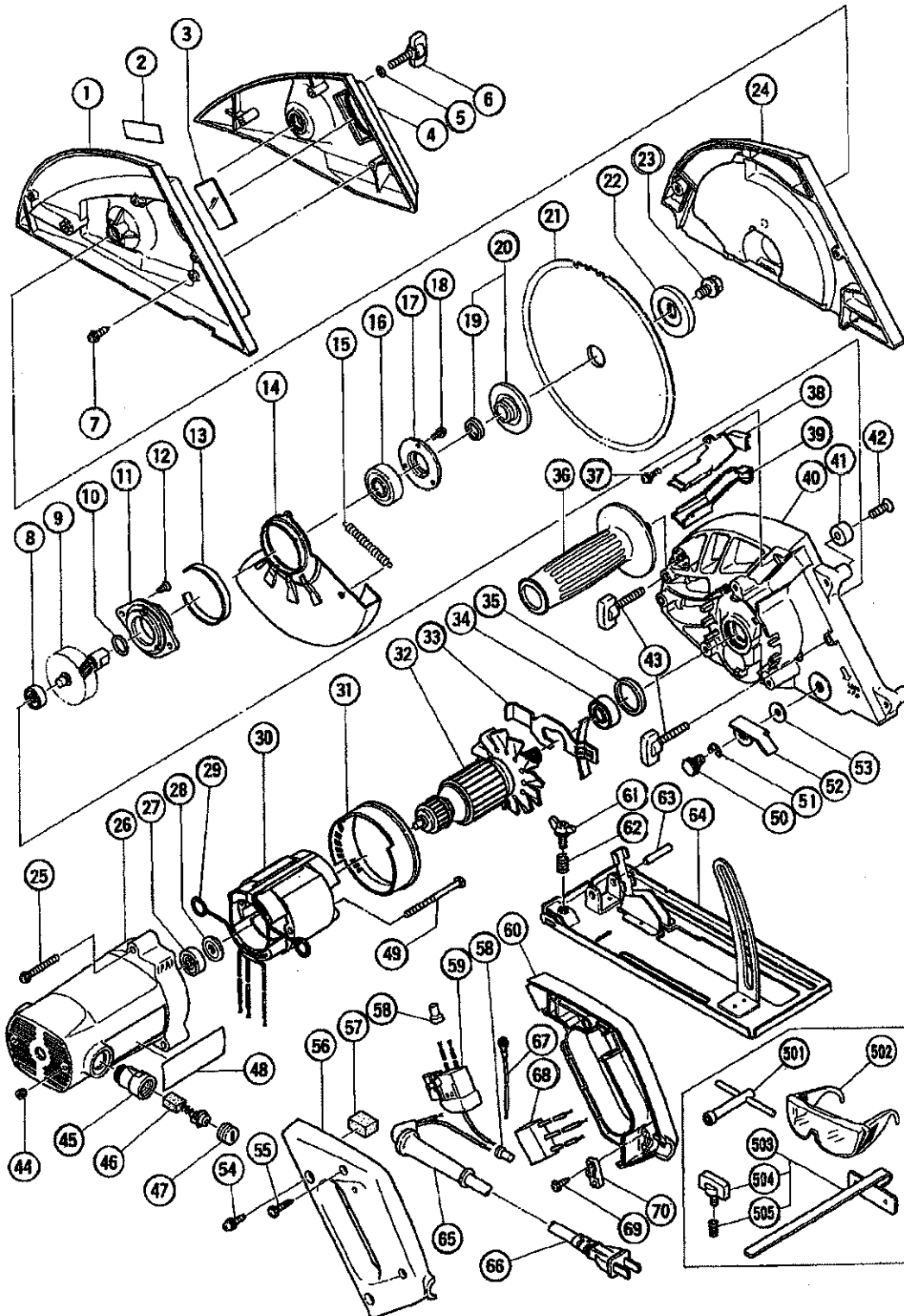


ELECTRIC TOOL PARTS LIST

■ METAL CUTTER
Model CD 7

2000.10.5

(E1)



PARTS

CD 7

ITEM NO.	CODE NO.	DESCRIPTION	NO. USED	REMARKS
1	307-290	DUST COVER (B)	1	
2		CAUTION PLATE	1	
3	993-604	GLASS PLATE	1	
4	307-291	DUST COVER (C)	1	
5	307-292	O-RING (4PC-5)	1	
6	301-801	WING BOLT M6X27	1	
7	305-095	TAPPING SCREW (W/FLANGE) D4X20	3	
8	608-VVM	BALL BEARING 608VVC2PS2L	1	
9	307-285	SPINDLE AND GEAR SET	1	
10	873-095	O-RING (P-16)	1	
11	958-385	BEARING HOLDER	1	
12	305-568	SEAL LOCK FLAT HD. SCREW M5X12	2	
13	961-807	BUSHING	1	
14	307-287	SAFETY COVER	1	
15	957-062	RETURN SPRING	1	
16	620-2DD	BALL BEARING 6202DDCMPS2L	1	
17	940-868	BEARING CAP	1	
18	307-635	MACHINE SCREW (W/SP. WASHER) M4X10	3	
19	961-366	DISTANCE PIECE	1	
20	957-076	WASHER (A) ASS'Y	1	INCLUD.19
21	307-276	TCT SAW BLADE 185MM-D20 HOLE-NT38	1	
22	957-064	WASHER (B)	1	
23	957-749	BOLT (W/WASHER) M7X17.5	1	
24	307-289	DUST COVER (A)	1	
25	303-796	MACHINE SCREW (W/WASHERS) M5X40 (BLACK)	3	
26	307-277	HOUSING ASS'Y	1	INCLUD.44,45
27	608-VVM	BALL BEARING 608VVC2PS2L	1	
28	956-387	DUST SEAL (A)	1	
29	930-703	BRUSH TERMINAL	2	
30	340-491D	STATOR ASS'Y 110V	1	INCLUD.29
31	987-940	FAN GUIDE	1	
32	360-546D	ARMATURE 110V	1	
33	987-981	LOCK LEVER	1	
34	600-1VV	BALL BEARING 6001VVCMP2L	1	
35	958-130	RUBBER RING	1	
36	981-205	SIDE HANDLE FOR M10	1	
37	307-634	MACHINE SCREW (W/WASHER) M4X10 (BLACK)	1	
38	307-280	PROTECTOR (A)	1	
39	307-281	PROTECTOR (B)	1	
40	307-284	GEAR COVER	1	
41	961-729	CUSHION	1	
42	949-794	FLAT HD. SCREW M6X20 (10 PCS.)	1	
43	303-331	WING BOLT M6X37	2	
44	938-477	HEX. SOCKET SET SCREW M5X8	2	
45	957-774	BRUSH HOLDER	2	
46	999-043	CARBON BRUSH (1 PAIR)	2	
47	935-829	BRUSH CAP	2	
48		NAME PLATE	1	
49	960-251	HEX. HD. TAPPING SCREW D5X65	2	
50	301-713	HEX. BOLT M8X8.5	1	
51	670-514	RETAINING RING (E-TYPE) FOR D10 SHAFT	1	

* : ALTERNATIVE PARTS

10 - 00

