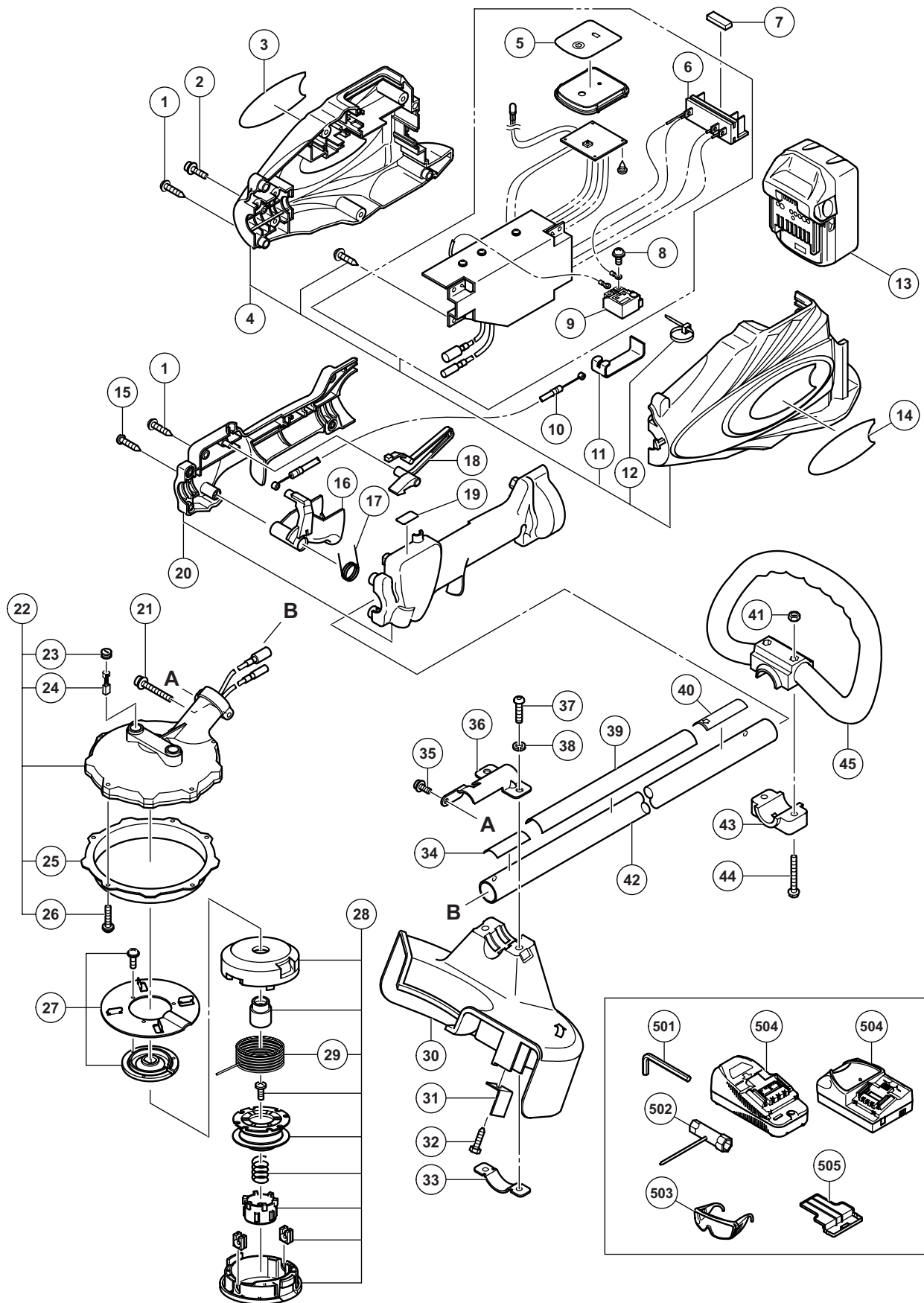


## ELECTRIC TOOL PARTS LIST

### CORDLESS GRASS TRIMMER Model CG 18DSDL

2011·9·24  
(E1)



**PARTS**

CG 18DSDL

ITEM NO.	CODE NO.	DESCRIPTION	NO. USED	REMARKS
1	302-086	TAPPING SCREW (W/FLANGE) D4 X 20 (BLACK)	15	
2	996-728	HEX. SOCKET HD. BOLT (W/WASHERS) M5 X 16	1	
3		NAME PLATE	1	
4	334-293	HOUSING ASS'Y	1	INCLUD. 5, 6, 8, 9, 11, 12
5	334-296	PANEL SHEET	1	
6	331-399	BATTERY TERMINAL	1	
7	333-902	PACKING	1	
8	980-060	MACHINE SCREW (W/WASHER) M3.5 X 5	2	
9	332-552	SWITCH	1	
10	330-772	WIRE	1	
11	330-771	PLATE	1	
12	988-054	CABLE TIE	1	
* 13	330-068	BATTERY BSL 1830 (EUROPE, AUS, NZL)	2	INCLUD. 505
* 13	330-067	BATTERY BSL 1830 (USA, CAN)	1	INCLUD. 505
14		HITACHI LABEL	1	
15	956-384	TAPPING SCREW D4 X 20	1	
16	330-778	LEVER	1	
17	330-780	SPRING	1	
18	330-779	LOCK LEVER	1	
19		LABEL (D)	1	
20	330-800	HANDLE (A).(B) SET	1	
21	668-4973	HEX. HOLE BOLT M5 X 30/WS	1	
22	333-901	DISC MOTOR ASS'Y	1	INCLUD. 23-26
23	334-294	BRUSH CAP	2	
24	999-016	CARBON BRUSH (1 PAIR)	2	
25	334-297	FAN COVER	1	
26	333-163	MACHINE SCREW (BLACK) M4 X 16	5	
27	333-904	FLANGE	1	
* 28	333-903	NYLON HEAD	1	INCLUD. 29
* 28	334-295	NYLON HEAD	1	INCLUD. 29 FOR USA, CAN
* 29	333-923	NYLON CORD D1.4 X 6M	1	
* 29	334-128	NYLON CORD D2.0 X 2M	1	FOR USA, CAN
30	333-899	COVER	1	
31	668-4754	KNIFE	1	
32	668-4753	TAPPING SCREW 5 X 20	1	
33	669-6951	GUARD HOLDER	1	
* 34		WARNING LABEL (G)	1	FOR USA, CAN
35	668-4667	HEX. HOLE BOLT M5 X 12/S	1	
36	333-321	COVER BRACKET	1	
37	330-799	HEX. SOCKET HD. BOLT (W/BUTTON) M6 X 25	2	
38	949-455	SPRING WASHER M6 (10 PCS.)	2	
* 39		CAUTION LABEL (B)	1	
* 39		CAUTION MARK USA	1	FOR USA, CAN
* 40		LEVEL MARK (B)	1	EXCEPT FOR USA, CAN
41	949-556	NUT M6 (10 PCS.)	2	
42	333-900	MAIN PIPE	1	
43	669-6972	HANDLE HOLDER (A)	1	
44	669-6974	BOLT (BLACK) M6	2	
45	669-6975	LOOP HANDLE	1	



