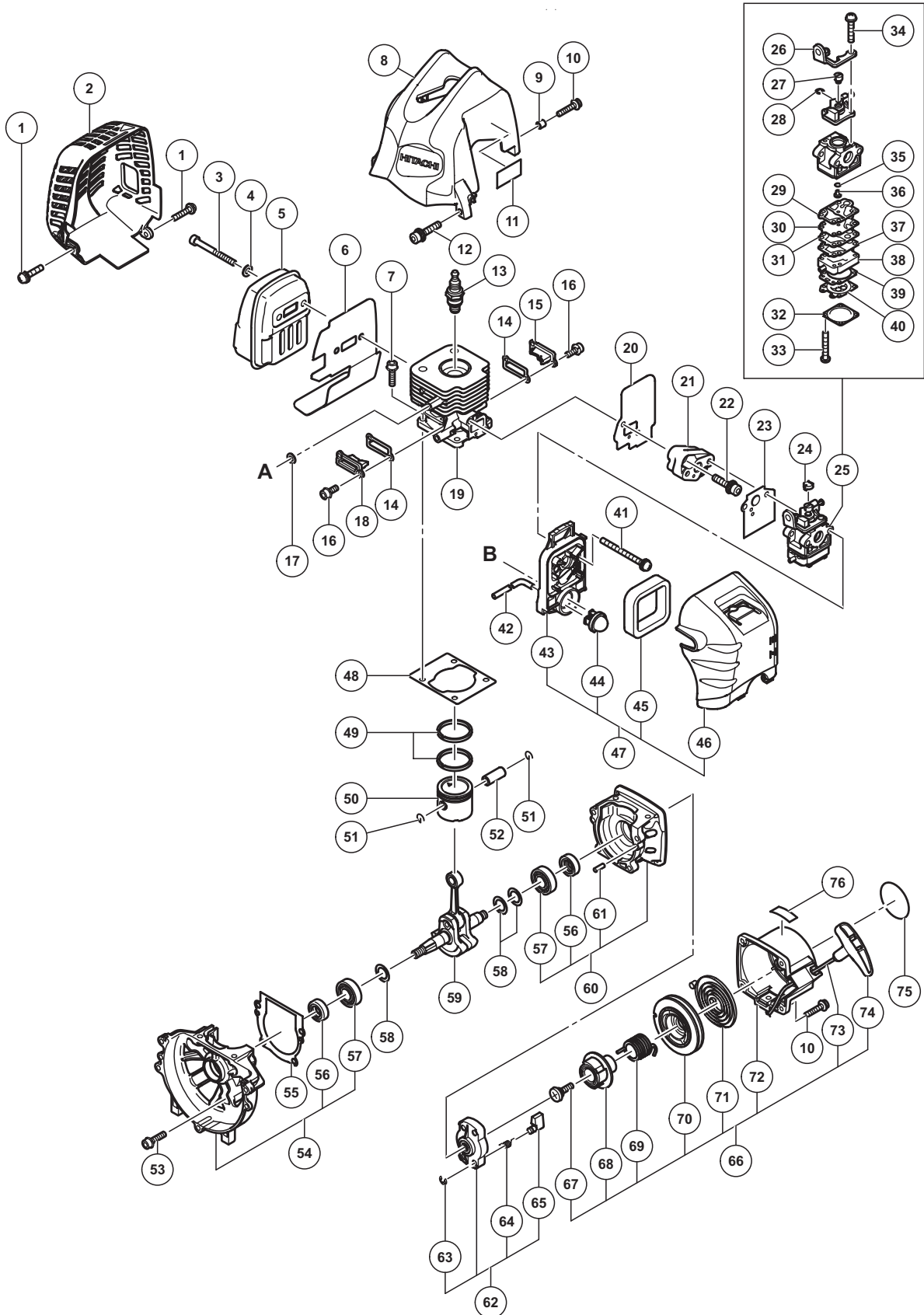
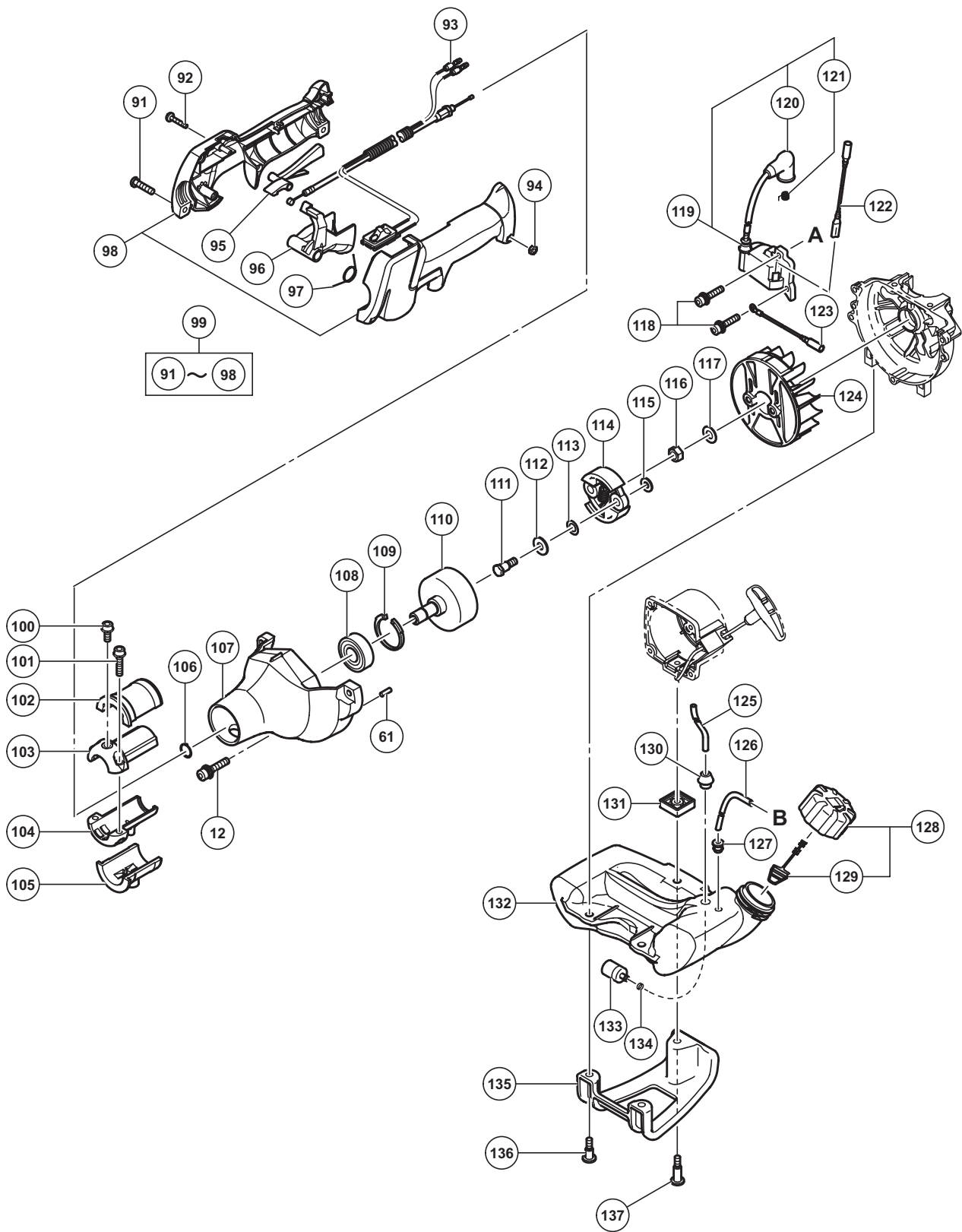


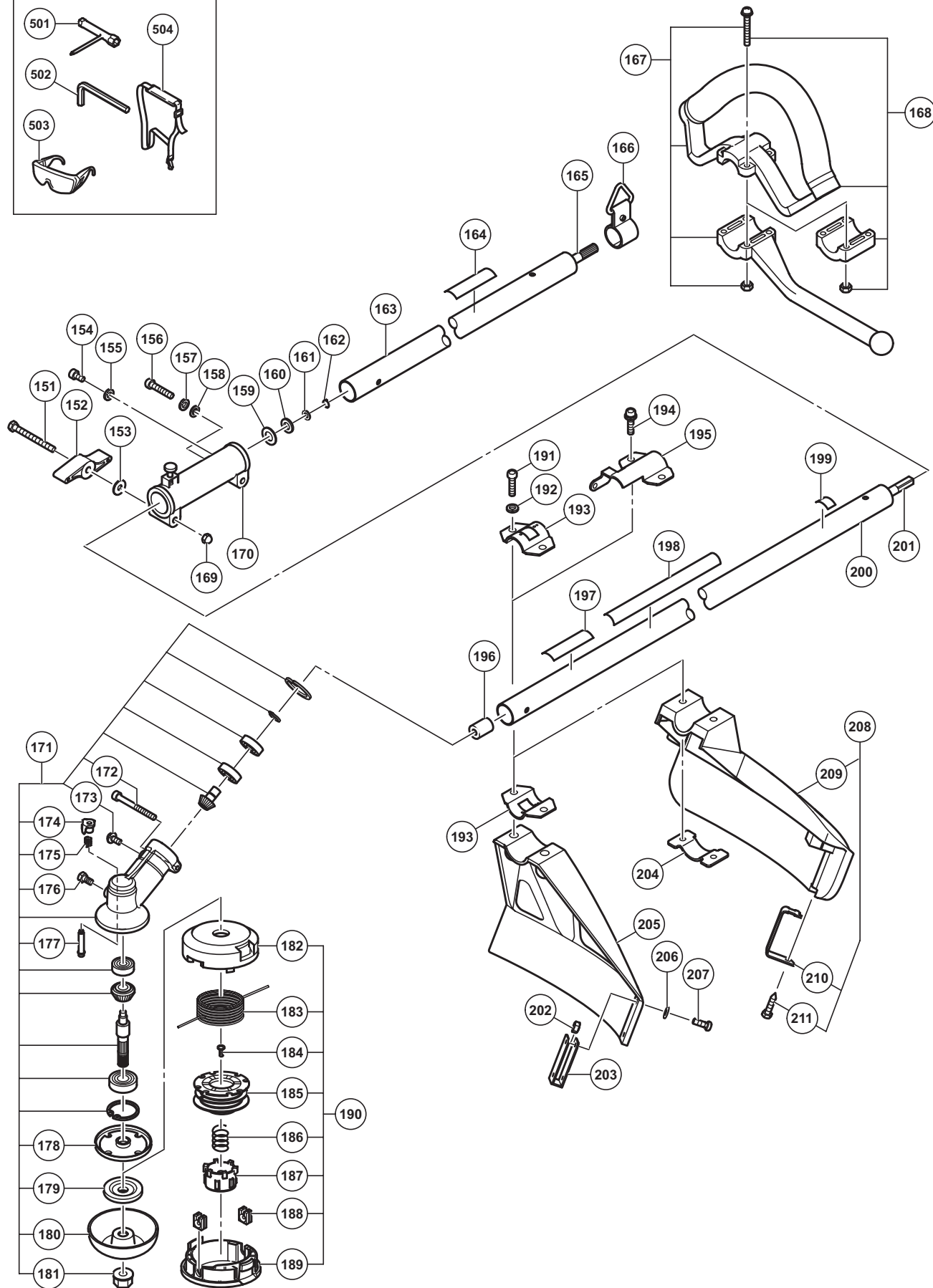
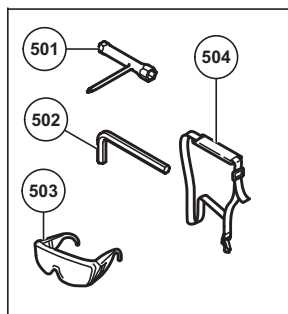
ENGINE TOOL PARTS LIST

ENGINE BRUSH CUTTER Model CG 27EBD

2014 · 4 · 25
(E1)







PARTS

CG 27EBD

ITEM NO.	CODE NO.	DESCRIPTION	NO. USED	REMARKS
1	887021	SCREW (W/WASHERS) M5 X 16 (BLACK)	2	
2	6698493	MUFFLER COVER	1	
3	6696819	HEX. SOCKET HD. BOLT M6 X 55	2	
4	949432	BOLT WASHER M6 (10 PCS.)	2	
5	6698477	MUFFLER	1	
6	6600324	HEAT PROTECTION PANEL	1	
7	6696958	HEX. SOCKET BOLT M5 X 20	4	
8	6699430	CYLINDER COVER	1	
9	6600008	COLLAR (B)	2	
10	6696326	HEX. SOCKET HD. BOLT (W/FLANGE) M4 X 18	4	
*	11	RCM+EAC MARK	1	FOR AUS,NZL
	12	6698950 SEAL LOCK HEX. SOCKET HD. BOLT M5 X 30	3	
*	13	6699322 SPARK PLUG ASS'Y CJ6	1	
*	13	6699316 SPARK PLUG ASS'Y BMR7A	1	FOR AUS,NZL
	14	6698365 COVER PACKING	2	
	15	6698484 SCAVENGING COVER (A)	1	
	16	6698385 HEX. SOCKET HD. BOLT M4 X 12	4	
	17	6698700 GLASS WASHER	2	
	18	6698485 SCAVENGING COVER (B)	1	
	19	6698480 CYLINDER	1	
	20	6699437 INTAKE PACKING	1	
	21	6698387 CARBURETOR INSULATOR	1	
	22	6698844 SEAL LOCK HEX. SOCKET BOLT (W/WASHERS) M5	2	
	23	6698405 CARBURETOR PACKING	1	
	24	6691337 SWIVEL CAP	1	
	25	6600326 CARBURETOR ASS'Y WYC-37	1	INCLUD.26-40
	26	6699287 CABLE ADJUST STAY	1	
	27	6696830 SWIVEL	1	
	28	6684696 STOP RING	1	
	29	6684692 PUMP GASKET	1	
	30	6684693 PUMP DIAPHRAGM	1	
	31	6691242 PUMP PLATE	1	
	32	6685222 DIAPHRAGM COVER-METERING	1	
	33	6691312 SET SCREW	4	
	34	6696829 SET SCREW M3 X 12	2	
	35	6684695 O-RING	1	
	36	MAIN JET	1	
	37	6691234 CIRCUIT PLATE	1	
	38	6696828 PUMP BODY COMP.	1	
	39	6685220 DIAPHRAGM PACKING-METERING	1	
	40	6684690 METERING DIAPHRAGM	1	
	41	307224 MACHINE SCREW (W/WASHERS) M5 X 60 (BLACK)	2	
	42	6699014 FUEL PIPE L70	1	
	43	6696832 AIR CLEANER HOUSING	1	
	44	6685139 PRIMING PUMP COMP.	1	
	45	6690347 CLEANER ELEMENT	1	
	46	6699185 CLEANER COVER	1	
	47	6699132 AIR CLEANER (A) ASS'Y	1	INCLUD.43-46
	48	6698366 CYLINDER PACKING	1	
	49	6686121 PISTON RING	2	

PARTS

CG 27EBD

ITEM NO.	CODE NO.	DESCRIPTION	NO. USED	REMARKS
50	6699432	PISTON	1	
51	6684590	CIR CLIP	2	
52	6684591	PISTON PIN	1	
53	6698386	HEX. SOCKET HD. BOLT (W/SP.WASHER) M5 X 18	4	
54	6698370	CRANK CASE (B) ASS'Y	1	INCLUD.56,57
55	6698371	CRANK CASE PACKING	1	
56	6684607	OIL SEAL TB 12227	2	
57	6684608	BALL BEARING 6001 C3	2	
58	6698490	SHIM T0.5	3	
59	6699438	CRANK SHAFT	1	
60	6698369	CRANK CASE (A) ASS'Y	1	INCLUD.56,57,61
61	6696947	KNOCK PIN 4 X 12	4	
62	6684681	STARTER PULLEY ASS'Y	1	INCLUD.63-65
63	6684683	STOP RING E-5	2	
64	6684684	STARTER PAWL SPRING	2	
65	6684685	STARTER PAWL	2	
66	6699995	RECOIL STARTER BODY ASS'Y	1	INCLUD.67-74
67	6684679	SET SCREW	1	
68	6699996	CAM PLATE	1	
69	6684677	DAMPER SPRING	1	
70	6699997	STARTER ROPE REEL	1	
71	6684675	RECOIL SPRING	1	
72	6684673	RECOIL STARTER BODY COMP.	1	
73	6684674	STARTER ROPE 3.5 X 860	1	
74	6684680	STARTER HANDLE	1	
75		NAME PLATE	1	
* 76	6698922	TANK MARK LABEL (25:1)	1	
* 76	6698921	TANK MARK LABEL (50:1)	1	FOR AUS,NZL
91	6699195	MACHINE SCREW M5 X 20 (BLACK)	2	
92	6699194	P TIGHT SCREW D4 X 20 (BLACK)	4	
93	6699197	SWITCH WIRE SET	1	
94	6699196	NUT M5	2	
95	6699192	STOP LEVER	1	
96	6699191	LONG LEVER	1	
97	6699193	RETURN SPRING	1	
98	6699190	STAY SET	1	
99	6699133	THROTTLE LEVER (A) ASS'Y	1	INCLUD.91-98
100	6699176	HEX. SOCKET HD. BOLT (W/SP.WASHER) M5 X 12	1	
101	6695492	HEX. HOLE BOLT 5 X 22/S	2	
102	6696963	ANTI VIBE RUBBER (A)	1	
103	6698643	PIPE HOLDER (A)	1	
104	6698644	PIPE HOLDER (B)	1	
105	6696964	ANTI VIBE RUBBER (B)	1	
106	939542	RETAINING RING FOR D12 SHAFT (10 PCS.)	1	
107	6699433	FAN CASE (A)	1	
108	6699435	BALL BEARING 6301ZZC3	1	
109	322813	RETAINING RING 37MM	1	
110	6699434	CLUTCH SHAFT	1	
111	6696469	STEP BOLT	2	
112	6684648	BENT WASHER 8	2	

PARTS

CG 27EBD

ITEM NO.	CODE NO.	DESCRIPTION	NO. USED	REMARKS
113	6696546	CLUTCH PLATE (A)	2	
114	6699130	CLUTCH	1	
115	6699131	CLUTCH WASHER (B)	2	
116	6685337	FLYWHEEL NUT	1	
117	323212	BOLT WASHER M8 (BLACK)	1	
118	6698388	HEX. SOCKET HD. BOLT (W/WASHERS) M4 X 18	2	
119	6699436	IGNITION COIL ASS'Y	1	INCLUD.120,121
120	6699932	PLUG CAP	1	
121	6699933	METAL FITTING OF PLUG CAP	1	
122	6696544	CORD	1	
123	6696545	EARTH CORD	1	
124	6698396	MAGNETO ROTOR COMP.	1	
125	6698716	FUEL PIPE	1	
126	6698401	FUEL PIPE (PINK)	1	
127	6697846	RETURN GROMMET	1	
128	6698402	FUEL TANK CAP ASS'Y	1	INCLUD.129
129	6698732	TANK CAP CHAIN	1	
130	6698931	FUEL GROMMET	1	
131	6699558	SPACER	1	
132	6600317	TANK (B)	1	
133	6684620	PUMP FILTER BODY COMP.	1	
134	6696949	CLIP	1	
135	6694787	STAND	1	
136	6696557	FLANGE BOLT	2	
137	6698991	BOLT (W/FLANGE) L27.8	1	
151	6684824	HEX. BOLT 6 X 50	1	
152	6684823	HANDLE KNOB	1	
153	6684822	SPECIAL WASHER B	1	
154	6684829	HEX. SOCKET HD. BOLT M5 X 12	1	
155	6698884	SPRING WASHER M5	1	
156	6684825	HEX. SOCKET HD. BOLT (W/BUTTON) M6	1	
157	949455	SPRING WASHER M6 (10 PCS.)	1	
158	949425	WASHER M6 (10 PCS.)	1	
159	6689139	SPACER 1.6	1	
160	6684819	SPACER	1	
161	6684820	PULLEY WASHER	1	
162	939540	RETAINING RING FOR D10 SHAFT (10 PCS.)	1	
163	6699460	MAIN PIPE (A)	1	
* 164	6684852	LEVEL MARK	1	FOR AUS,NZL
165	6699462	DRIVE SHAFT (A)	1	
166	6696493	HANGER	1	
* 167	6699448	LOOP HANDLE (W/BARRIER)	1	FOR AUS,NZL
* 168	6699449	LOOP HANDLE	1	FOR ISR
169	6684828	CAP NUT 6	1	
170	6684817	JOINT CASE	1	
* 171	6699439	GEAR CASE ASS'Y (4BB)	1	INCLUD.172-181 FOR (SL)
* 172	949664	HEX. SOCKET HD. BOLT M5 X 30 (10 PCS.)	1	FOR (SL)
* 173	6695414	SCREW 5 X 12/W.S	1	FOR (SL)
* 174	6600005	CAP	1	FOR (SL)
* 175	6600006	SPRING	1	FOR (SL)

PARTS

CG 27EBD

ITEM NO.	CODE NO.	DESCRIPTION	NO. USED	REMARKS
* 176	6684737	BOLT (W/PLUS) M6 X 8	1	FOR (SL)
* 177	6600007	LOCK PIN	1	FOR (SL)
* 178	6699441	CUTTER HOLDER (A)	1	FOR (SL)
* 179	6698659	CUTTER HOLDER (B)	1	FOR (SL)
* 180	6699188	NUT COVER	1	FOR (SL)
* 181	335759	U-NUT (LEFT HAND) M10	1	FOR (SL)
* 182	6698937	COVER	1	FOR (SL)
* 183		NYLON CORD	1	FOR (SL)
* 184	6698795	SET SCREW	1	FOR (SL)
* 185	6698939	REEL	1	FOR (SL)
* 186	6698941	RETURN SPRING	1	FOR (SL)
* 187	6698940	BUTTON	1	FOR (SL)
* 188	6698942	CORD GUIDE	2	FOR (SL)
* 189	6698938	CASE	1	FOR (SL)
* 190	6698639	NYLON HEAD ASS'Y	1	INCLUD.182-189 FOR (SL)
* 191	6685064	HEX. SOCKET HD. BOLT (W/BUTTON) M6 X 20	2	FOR ISR (SL)
* 192	949455	SPRING WASHER M6 (10 PCS.)	2	FOR ISR (SL)
* 193	6696978	COVER BRACKET	2	FOR ISR (SL)
* 194	6684714	HEX. HOLE BUTTON SCREW 6 X 25S	2	FOR AUS (SL),NZL (SL)
* 195	6699444	COVER BRACKET	1	FOR AUS (SL),NZL (SL)
* 196	6684833	BUSHING	1	FOR (SL)
* 197	6685061	LEVEL MARK	1	FOR ISR (SL)
* 198	6697625	CAUTION MARK HITACHI	1	FOR (SL)
* 199	6684851	LEVEL MARK	1	FOR (SL)
* 200	6699461	MAIN PIPE (A)	1	FOR (SL)
* 201	6684832	DRIVE SHAFT B 783L	1	FOR (SL)
* 202	949554	NUT M4 (10 PCS.)	2	FOR ISR (SL)
* 203	6696584	KNIFE	1	FOR ISR (SL)
* 204	6698813	COVER HOLDER	1	FOR AUS (SL),NZL (SL)
* 205	6696981	GUARD	1	FOR ISR (SL)
* 206	323210	BOLT WASHER M4 (BLACK)	2	FOR ISR (SL)
* 207	6685068	MACHINE SCREW (W/SP. WASHER) M4 X 12	2	FOR ISR (SL)
* 208	6697880	COVER ASS'Y	1	INCLUD.209-211 FOR AUS (SL),NZL (SL)
* 209	6690272	GUARD 24 DIA.	1	FOR AUS (SL),NZL (SL)
* 210	6693388	KNIFE	1	FOR AUS (SL),NZL (SL)
* 211	6684753	TAPPING SCREW 5 X 20	1	FOR AUS (SL),NZL (SL)

