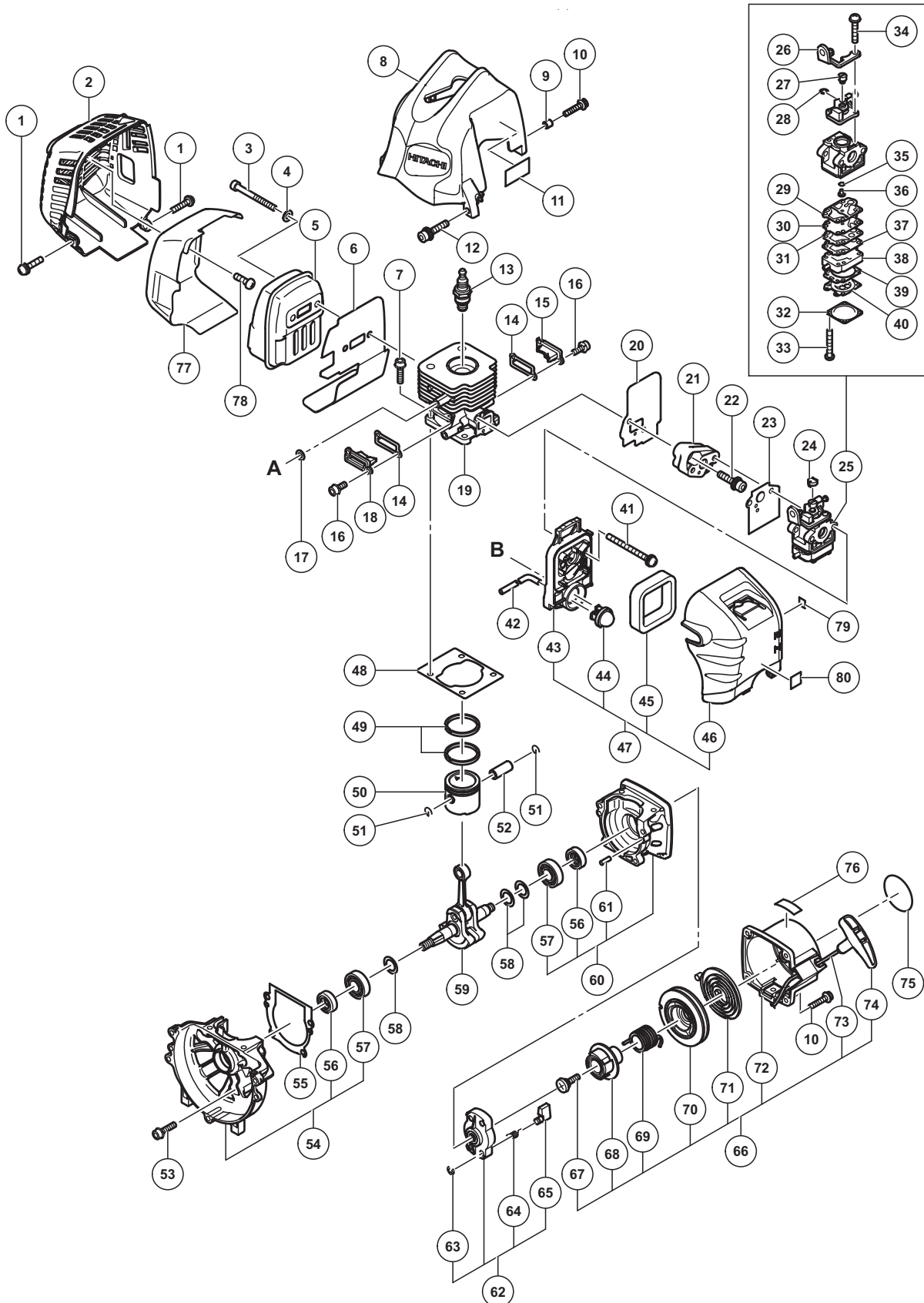
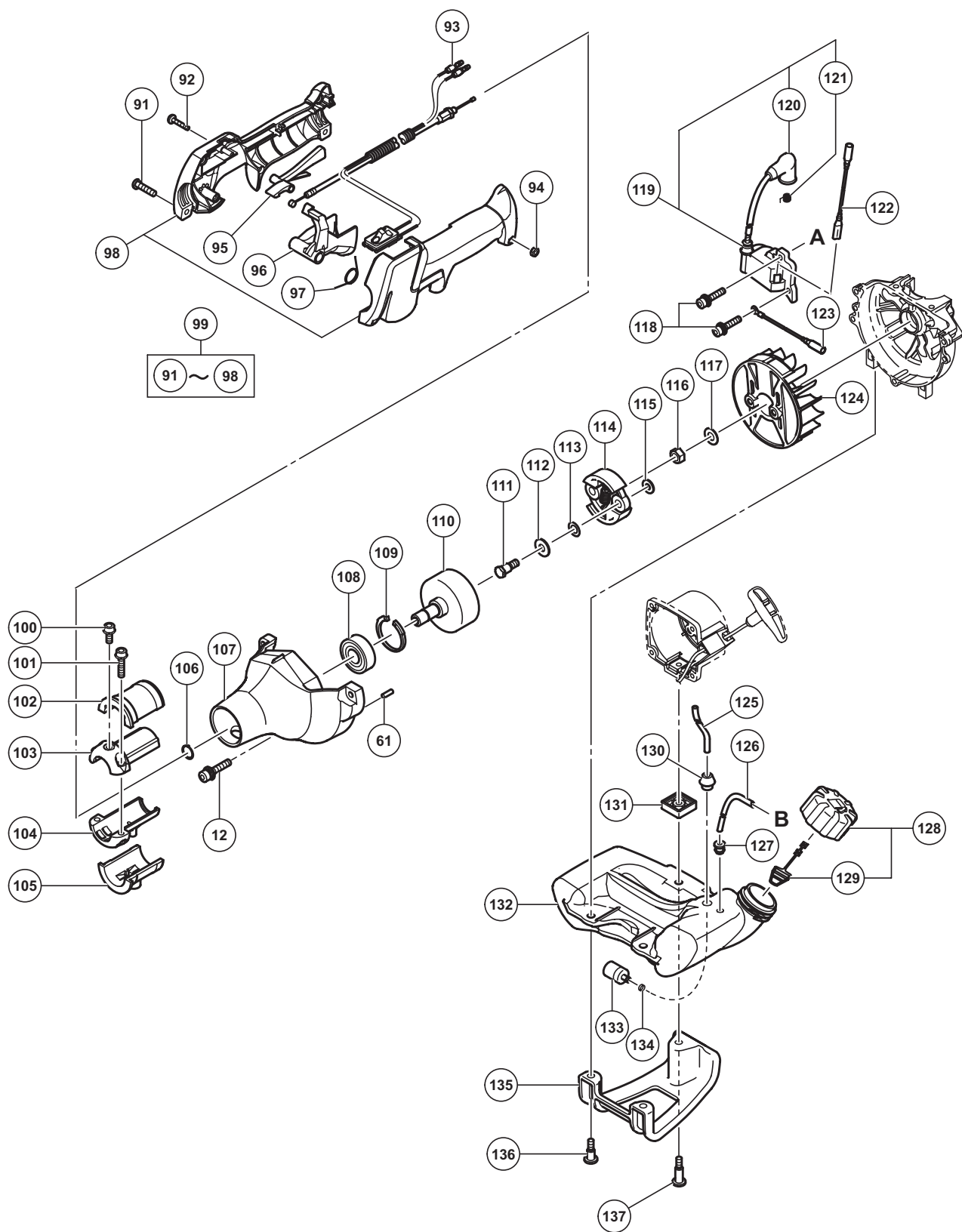


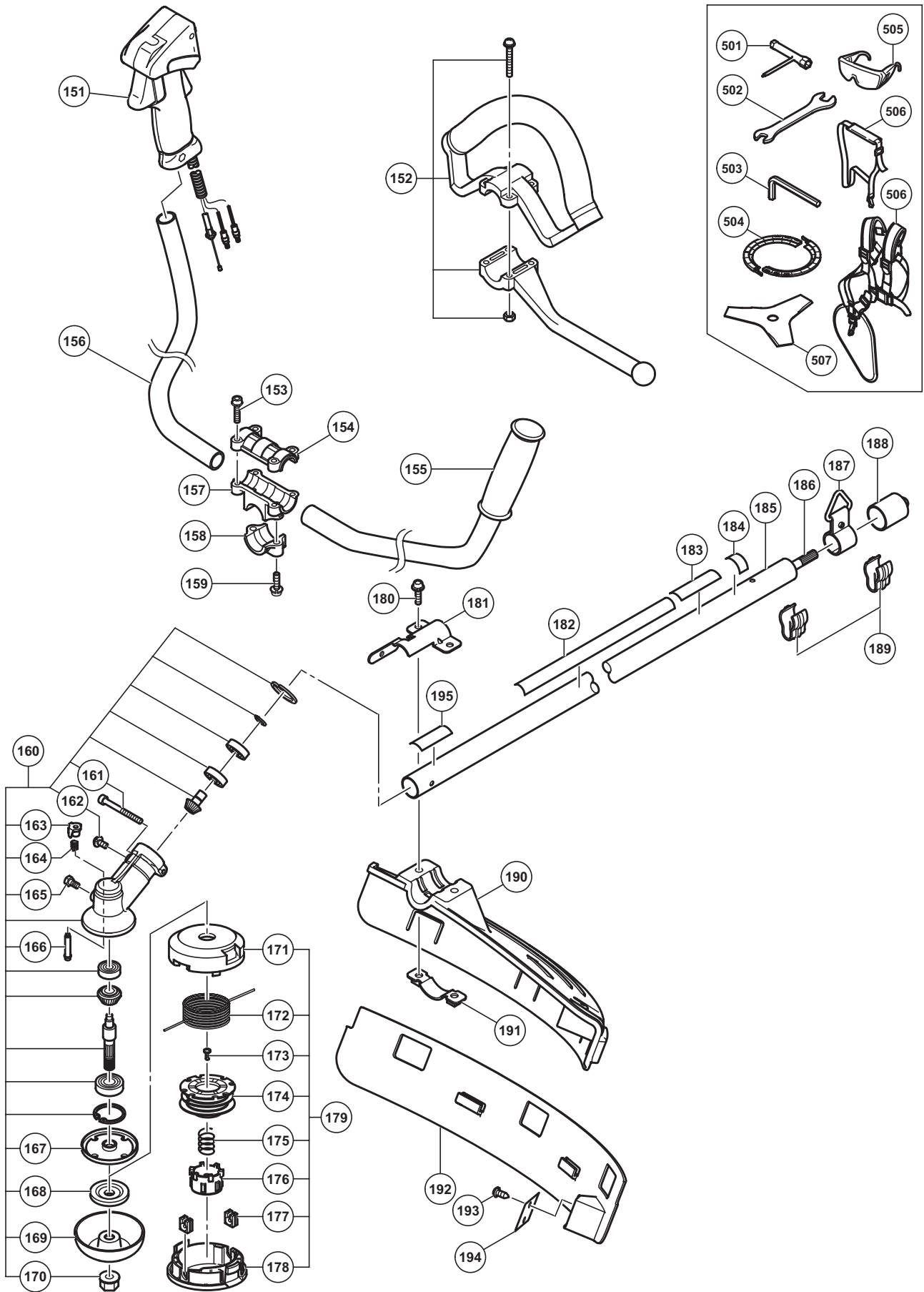
ENGINE TOOL PARTS LIST

ENGINE BRUSH CUTTER Model CG 27EBSP

2014 · 4 · 25
(E1)







PARTS

CG 27EBS

ITEM NO.	CODE NO.	DESCRIPTION	NO. USED	REMARKS
1	887021	SCREW (W/WASHERS) M5 X 16 (BLACK)	2	
2	6600322	MUFFLER COVER	1	
3	6698384	HEX. SOCKET HD. BOLT M6 X 65	2	
4	949432	BOLT WASHER M6 (10 PCS.)	2	
5	6600004	MUFFLER (B)	1	
6	6600324	HEAT PROTECTION PANEL	1	
7	6696958	HEX. SOCKET BOLT M5 X 20	4	
8	6699430	CYLINDER COVER	1	
9	6600008	COLLAR (B)	2	
10	6696326	HEX. SOCKET HD. BOLT (W/FLANGE) M4 X 18	4	
11		CAUTION LABEL	1	
12	6698950	SEAL LOCK HEX. SOCKET HD. BOLT M5 X 30	3	
13	6699316	SPARK PLUG ASS'Y BMR7A	1	
14	6698365	COVER PACKING	2	
15	6698484	SCAVENGING COVER (A)	1	
16	6698385	HEX. SOCKET HD. BOLT M4 X 12	4	
17	6698700	GLASS WASHER	2	
18	6698485	SCAVENGING COVER (B)	1	
19	6698480	CYLINDER	1	
20	6699437	INTAKE PACKING	1	
21	6698387	CARBURETOR INSULATOR	1	
22	6698844	SEAL LOCK HEX. SOCKET BOLT (W/WASHERS) M5	2	
23	6698405	CARBURETOR PACKING	1	
24	6691337	SWIVEL CAP	1	
25	6600326	CARBURETOR ASS'Y WYC-37	1	INCLUD.26-40
26	6699287	CABLE ADJUST STAY	1	
27	6696830	SWIVEL	1	
28	6684696	STOP RING	1	
29	6684692	PUMP GASKET	1	
30	6684693	PUMP DIAPHRAGM	1	
31	6691242	PUMP PLATE	1	
32	6685222	DIAPHRAGM COVER-METERING	1	
33	6691312	SET SCREW	4	
34	6696829	SET SCREW M3 X 12	2	
35	6684695	O-RING	1	
36		MAIN JET	1	
37	6691234	CIRCUIT PLATE	1	
38	6696828	PUMP BODY COMP.	1	
39	6685220	DIAPHRAGM PACKING-METERING	1	
40	6684690	METERING DIAPHRAGM	1	
41	307224	MACHINE SCREW (W/WASHERS) M5 X 60 (BLACK)	2	
42	6699014	FUEL PIPE L70	1	
43	6696832	AIR CLEANER HOUSING	1	
44	6685139	PRIMING PUMP COMP.	1	
45	6690347	CLEANER ELEMENT	1	
46	6699185	CLEANER COVER	1	
47	6699132	AIR CLEANER (A) ASS'Y	1	INCLUD.43-46
48	6698366	CYLINDER PACKING	1	
49	6686121	PISTON RING	2	
50	6699432	PISTON	1	

PARTS

CG 27EBS

ITEM NO.	CODE NO.	DESCRIPTION	NO. USED	REMARKS
51	6684590	CIR CLIP	2	
52	6684591	PISTON PIN	1	
53	6698386	HEX. SOCKET HD. BOLT (W/SP.WASHER) M5 X 18	4	
54	6698370	CRANK CASE (B) ASS'Y	1	INCLUD.56,57
55	6698371	CRANK CASE PACKING	1	
56	6684607	OIL SEAL TB 12227	2	
57	6684608	BALL BEARING 6001 C3	2	
58	6698490	SHIM T0.5	3	
59	6699438	CRANK SHAFT	1	
60	6698369	CRANK CASE (A) ASS'Y	1	INCLUD.56,57,61
61	6696947	KNOCK PIN 4 X 12	4	
62	6684681	STARTER PULLEY ASS'Y	1	INCLUD.63-65
63	6684683	STOP RING E-5	2	
64	6684684	STARTER PAWL SPRING	2	
65	6684685	STARTER PAWL	2	
66	6699995	RECOIL STARTER BODY ASS'Y	1	INCLUD.67-74
67	6684679	SET SCREW	1	
68	6699996	CAM PLATE	1	
69	6684677	DAMPER SPRING	1	
70	6699997	STARTER ROPE REEL	1	
71	6684675	RECOIL SPRING	1	
72	6684673	RECOIL STARTER BODY COMP.	1	
73	6684674	STARTER ROPE 3.5 X 860	1	
74	6684680	STARTER HANDLE	1	
75		NAME PLATE	1	
76	6698921	TANK MARK LABEL (50:1)	1	
77	6600323	MUFFLER HEAT COVER	1	
78	6600325	TAPPING SCREW D4 X 10	2	
79	6600327	MARK PLATE (T)	1	
80	6699000	PRIMER LABEL	1	
*	91	6699195 MACHINER SCREW M5 X 20 (BLACK)	2	FOR (SL)
*	92	6699194 P TIGHT SCREW D4 X 20 (BLACK)	4	FOR (SL)
*	93	6699197 SWITCH WIRE SET	1	FOR (SL)
*	94	6699196 NUT M5	2	FOR (SL)
*	95	6699192 STOP LEVER	1	FOR (SL)
*	96	6699191 LONG LEVER	1	FOR (SL)
*	97	6699193 RETURN SPRING	1	FOR (SL)
*	98	6699190 STAY SET	1	FOR (SL)
*	99	6699133 THROTTLE LEVER (A) ASS'Y	1	INCLUD.91-98 FOR (SL)
100	6699176	HEX. SOCKET HD. BOLT (W/SP.WASHER) M5 X 12	1	
101	6695492	HEX. HOLE BOLT 5 X 22/S	2	
102	6696963	ANTI VIBE RUBBER (A)	1	
103	6698643	PIPE HOLDER (A)	1	
104	6698644	PIPE HOLDER (B)	1	
105	6696964	ANTI VIBE RUBBER (B)	1	
106	939542	RETAINING RING FOR D12 SHAFT (10 PCS.)	1	
107	6699433	FAN CASE (A)	1	
108	6699435	BALL BEARING 6301ZZC3	1	
109	322813	RETAINING RING 37MM	1	
110	6699434	CLUTCH SHAFT	1	

PARTS

CG 27EBS

ITEM NO.	CODE NO.	DESCRIPTION	NO. USED	REMARKS
111	6696469	STEP BOLT	2	
112	6684648	BENT WASHER 8	2	
113	6696546	CLUTCH PLATE (A)	2	
114	6699130	CLUTCH	1	
115	6699131	CLUTCH WASHER (B)	2	
116	6685337	FLYWHEEL NUT	1	
117	323212	BOLT WASHER M8 (BLACK)	1	
118	6698388	HEX. SOCKET HD. BOLT (W/WASHERS) M4 X 18	2	
119	6699436	IGNITION COIL ASS'Y	1	INCLUD.120,121
120	6699932	PLUG CAP	1	
121	6699933	METAL FITTING OF PLUG CAP	1	
122	6696544	CORD	1	
123	6696545	EARTH CORD	1	
124	6698396	MAGNETO ROTOR COMP.	1	
125	6698716	FUEL PIPE	1	
126	6698401	FUEL PIPE (PINK)	1	
127	6697846	RETURN GROMMET	1	
128	6698402	FUEL TANK CAP ASS'Y	1	INCLUD.129
129	6698732	TANK CAP CHAIN	1	
130	6698931	FUEL GROMMET	1	
131	6699558	SPACER	1	
132	6600317	TANK (B)	1	
133	6684620	PUMP FILTER BODY COMP.	1	
134	6696949	CLIP	1	
135	6694787	STAND	1	
136	6696557	FLANGE BOLT	2	
137	6698991	BOLT (W/FLANGE) L27.8	1	
* 151	6699446	THROTTLE LEVER (B)	1	FOR (S)
* 152	6699448	LOOP HANDLE (W/BARRIER)	1	FOR (SL)
* 153	6684709	HEX. HOLE BOLT M5 X 25/S	4	FOR (S)
* 154	6696576	HANDLE HOLDER (A)	1	FOR (S)
* 155	6698638	HANDLE (LEFT)	1	FOR (S)
* 156	6699447	HANDLE (RIGHT)	1	FOR (S)
* 157	6696577	HANDLE HOLDER (B)	1	FOR (S)
* 158	6696578	HANDLE HOLDER (C)	1	FOR (S)
* 159	6684714	HEX. HOLE BUTTON SCREW 6 X 25S	2	FOR (S)
160	6699439	GEAR CASE ASS'Y (4BB)	1	INCLUD.161-170
161	949664	HEX. SOCKET HD. BOLT M5 X 30 (10 PCS.)	1	
162	6695414	SCREW 5 X 12/W.S	1	
163	6600005	CAP	1	
164	6600006	SPRING	1	
165	6684737	BOLT (W/PLUS) M6 X 8	1	
166	6600007	LOCK PIN	1	
167	6699441	CUTTER HOLDER (A)	1	
168	6698659	CUTTER HOLDER (B)	1	
169	6699188	NUT COVER	1	
170	335759	U-NUT (LEFT HAND) M10	1	
171	6698937	COVER	1	
172		NYLON CORD	1	
173	6698795	SET SCREW	1	

PARTS

CG 27E BSP

ITEM NO.	CODE NO.	DESCRIPTION	NO. USED	REMARKS
174	6698939	REEL	1	
175	6698941	RETURN SPRING	1	
176	6698940	BUTTON	1	
177	6698942	CORD GUIDE	2	
178	6698938	CASE	1	
179	6698639	NYLON HEAD ASS'Y	1	INCLUD.171-178
180	6684714	HEX. HOLE BUTTON SCREW 6 X 25S	2	
181	6699442	COVER BRACKET	1	
182	6697625	CAUTION MARK HITACHI	1	
* 183	6684852	LEVEL MARK	1	FOR (SL)
184	6684851	LEVEL MARK	1	
185	6699445	MAIN PIPE	1	
186	6698514	DRIVE SHAFT	1	
187	6696493	HANGER	1	
188	6698515	CAP (A)	1	
* 189	6699450	WIRE CLAMP	2	FOR (S)
190	6696980	COVER	1	
191	6696951	GUARD HOLDER	1	
192	6696950	COVER GUARD	1	
193	6684751	TAPPING SCREW 4 X 14	1	
194	6684750	KNIFE	1	
195	6600328	CAUTION LABEL (HEDGE)	1	

STANDARD ACCESSORIES

ITEM NO.	CODE NO.	DESCRIPTION	NO. USED	REMARKS
501	6684764	BOX WRENCH (HEX. SOCKET 17/19)	1	
502	6696596	WRENCH 8 X 10	1	
503	944458	HEX. BAR WRENCH 4MM	1	
* 504	6684768	CUTTER COVER	2	FOR (S)
505	875769	SAFETY GLASSES	1	
* 506	6696448	SHOULDER BELT SINGLE	1	
* 506	6695796	SHOULDER HARNESS D3X	1	FOR (S)
* 507	6698711	BLADE 3T X 255 X T1.8	1	FOR (S)