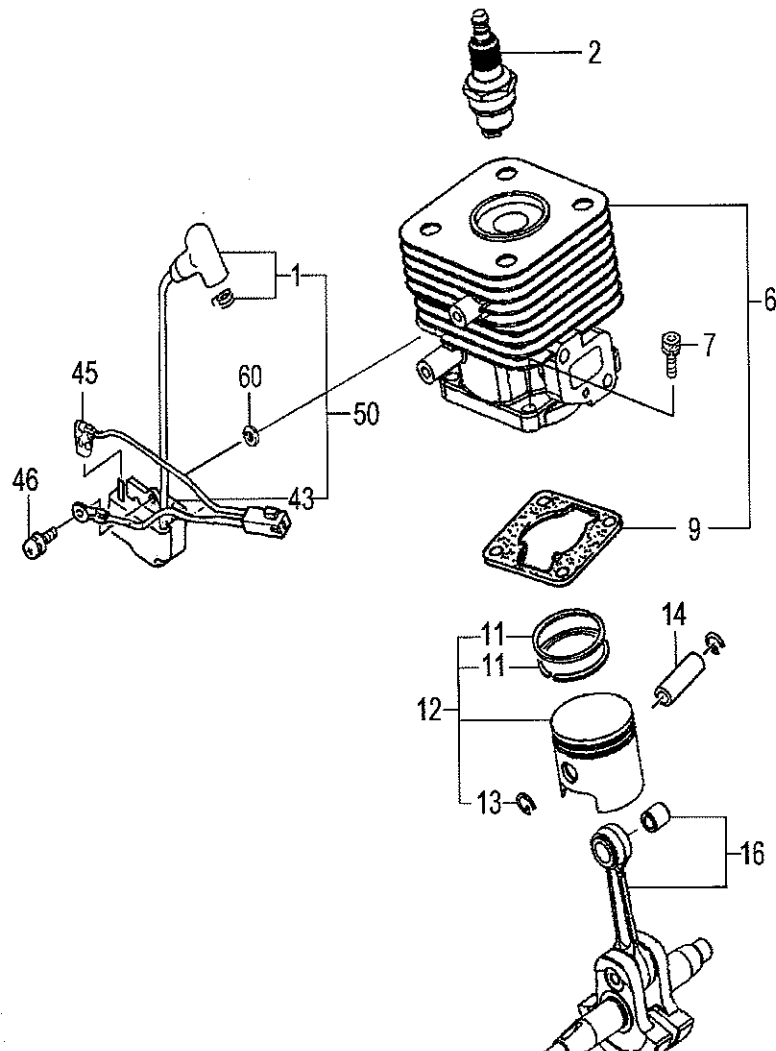


B65

CG27EJ(SLP)

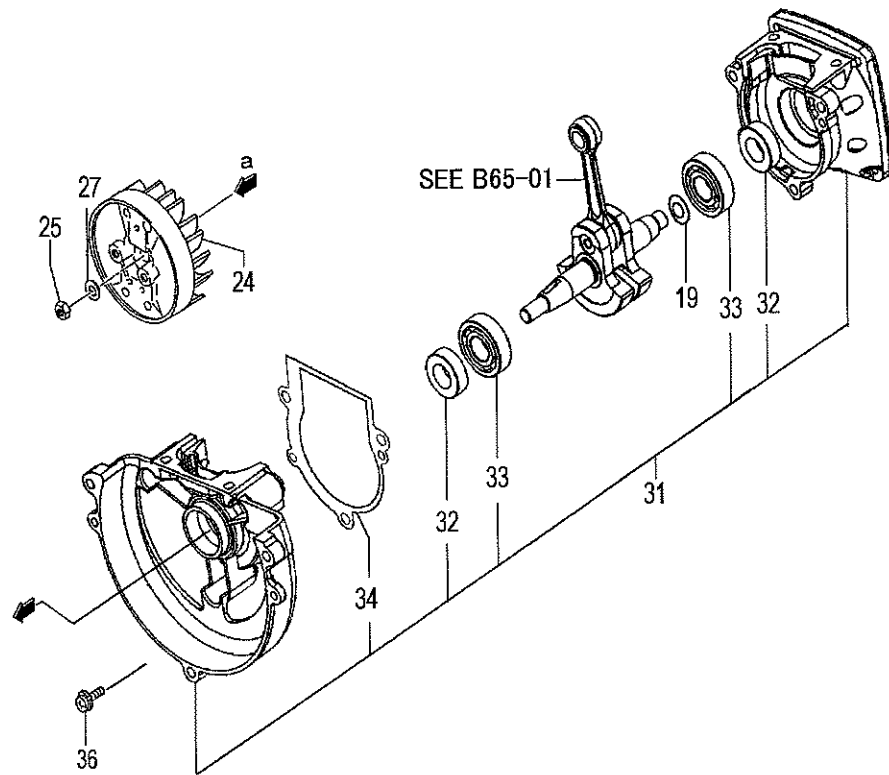
Serial No.

B65-01**CG27EJ(SLP) CYLINDER/PISTON/CRANK SHAFT**

REF. NUMBER	PARTS NUMBER	DESCRIPTION	Q'TY
001	668-4894	PLUG CAP ASS'Y	1
002	668-5769	SPARK PLUG RCJ-8	1
006	668-5495	CYLINDER SET	1
007	668-4586	HEX.HOLE BOLT M5X18/S	4
009	668-4896	CYLINDER GASKET	1
011	668-6121	PISTON RING	2
012	668-5902	PISTON SET	1
013	668-4590	PISTON PIN CIRCLIP	2
014	668-4591	PISTON PIN	1
016	668-6219	CRANK SHAFT COMP.	1
043	668-7687	IGNITION COIL COMP.	1
045	668-7965	LEAD WIRE ASS'Y	1
046	668-4599	HEX.HOLE BOLT M4X18/WS	2
050	668-7688	IGNITION COIL ASS'Y MB-65	1
060	668-4600	WASHER	2

B65-02

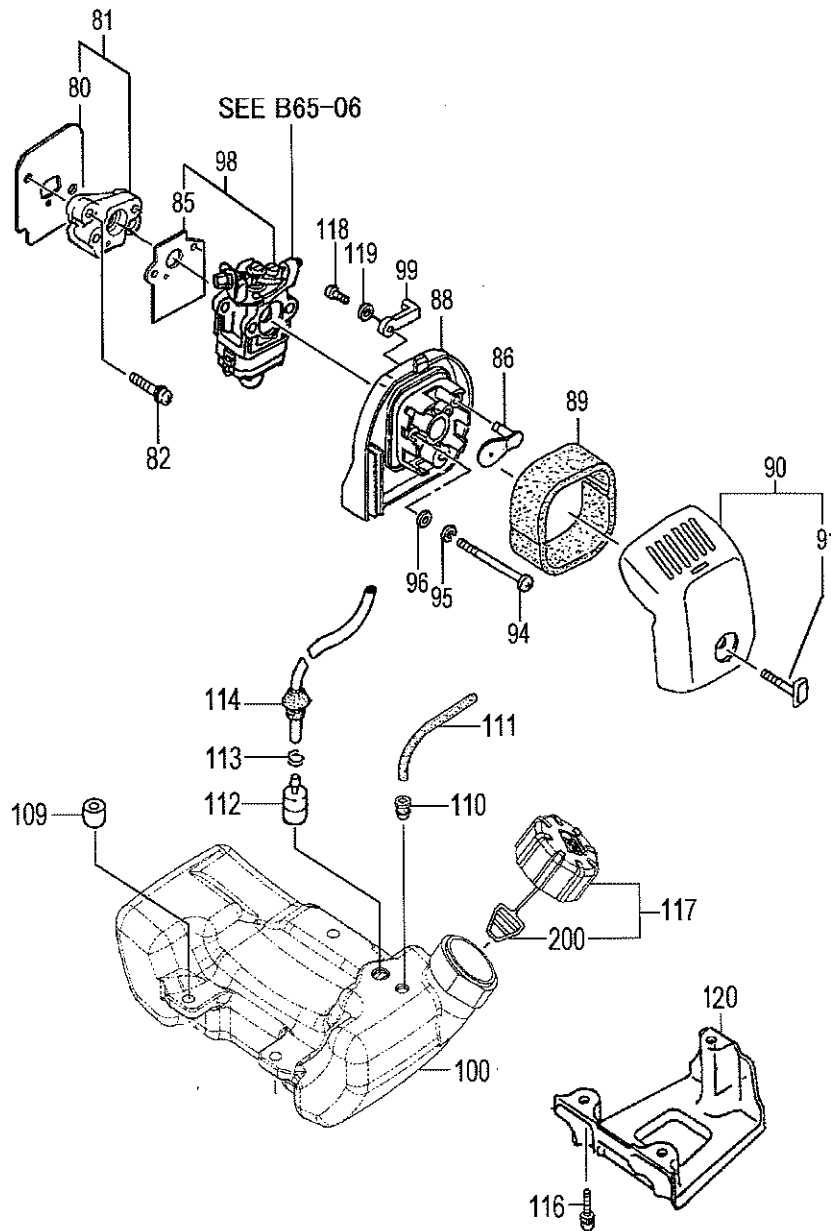
CG27EJ(SLP) CRANK CASE



REF. NUMBER	PARTS NUMBER	DESCRIPTION	Q'TY
019	668-4604	GEAR SHAFT SHIM 0.20	V
019	668-4605	GEAR SHAFT SHIM 0.30	V
024	668-7385	MAGUET RITIR COMB. FW-	1
025	668-4612	HEX.NUT M8	1
027	668-4611	WASHER M8	1
031	669-5700	CRANK CASE ASS'Y	1
032	668-4607	OIL SEAL TB 12227	2
033	669-5535	BALL BEARING 6001 C3	2
034	668-4904	CRANK CASE GASKET	1
036	668-4903	HEX.HOLE BOLT M5X16/S	4

B65-03

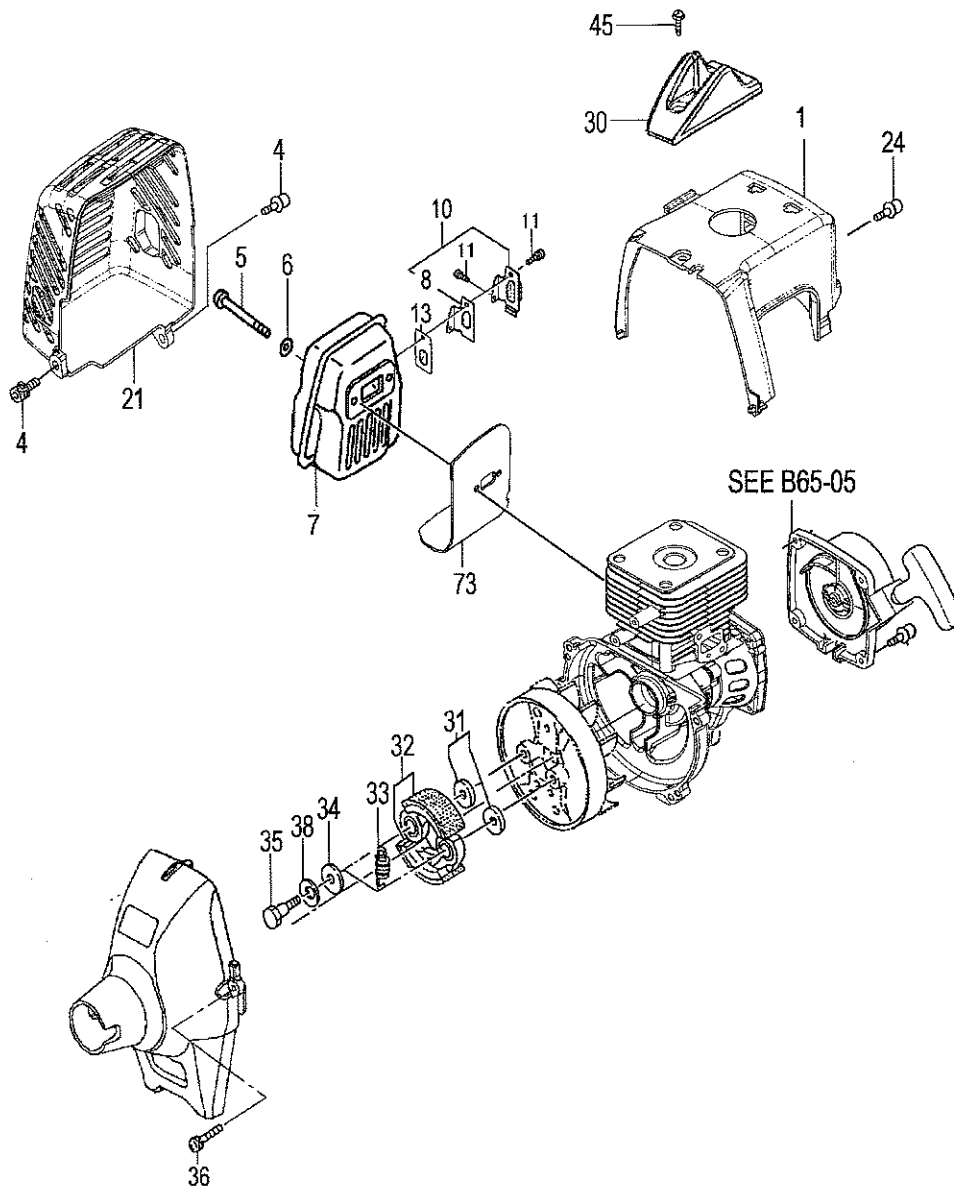
CG27EJ(SLP) ENGINE-1



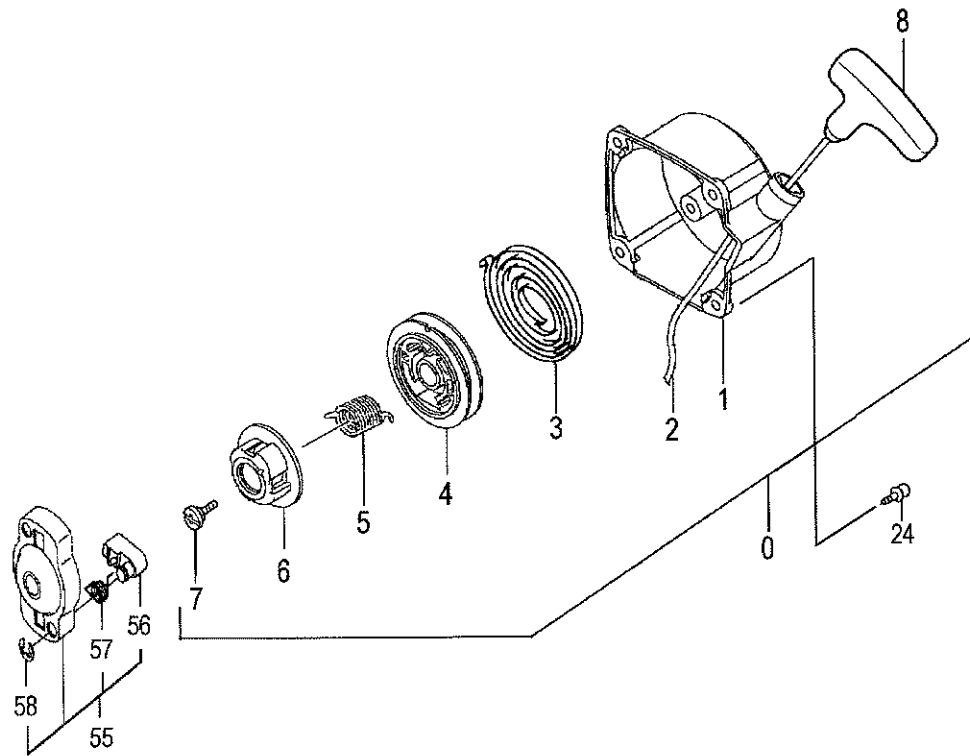
REF. NUMBER	PARTS NUMBER	DESCRIPTION	QTY
080	668-9895	INLET MANIFOLD GASKET	1
081	668-9972	INSULATOR SET	1
082	668-4617	HEX. HOLE BOLT 5X25/WS	2
085	668-4616	CARBURETOR GASKET	2
086	669-1276	CHOKE PLATE 2.0	1
088	669-0120	CLEANER BODY COMP.	1
089	669-0365	CLEANER SPONGE	1
090	669-0402	CLEANER COVER ASS'Y	1
091	669-0384	COVER FIXING BOLT	1
094	669-4914	SCREW 5X55	2
095	668-4662	S.WASHER 5	2
096	668-4864	SMALL WASHER 5	2
098	669-0522	CABURETOR SET WYJ-463	1
099	669-1239	CHOKE CONTROL LEVER	1
100	669-1604	TANK ORG	1
109	668-4623	COLLAR C	3
110	668-4627	RETURN GROMMET	1
111	668-4626	FUEL PIPE 3X5X65	1
112	668-4620	PUMP FILTER BODY COMP.	1
113	668-4619	CLIP,6.3 DIA.	1
114	668-4618	FUEL PIPE ASS'Y	1
116	668-4634	HEX.HOLE BOLT 5X20/PS	3
117	668-5049	TANK CAP ASS'Y	1
118	669-5280	TAP SCREW 4X14 P	1
119	668-5070	BOLT WASHER M4	1
120	669-4787	STAND	1
200	668-4625	TANK CAP CHAIN	1

B65-04

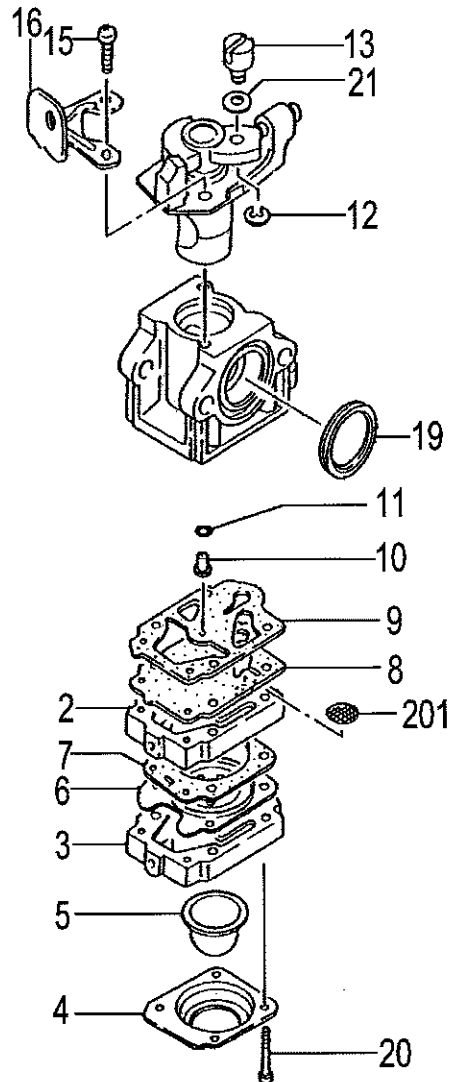
CG27EJ(SLP) ENGINE-2



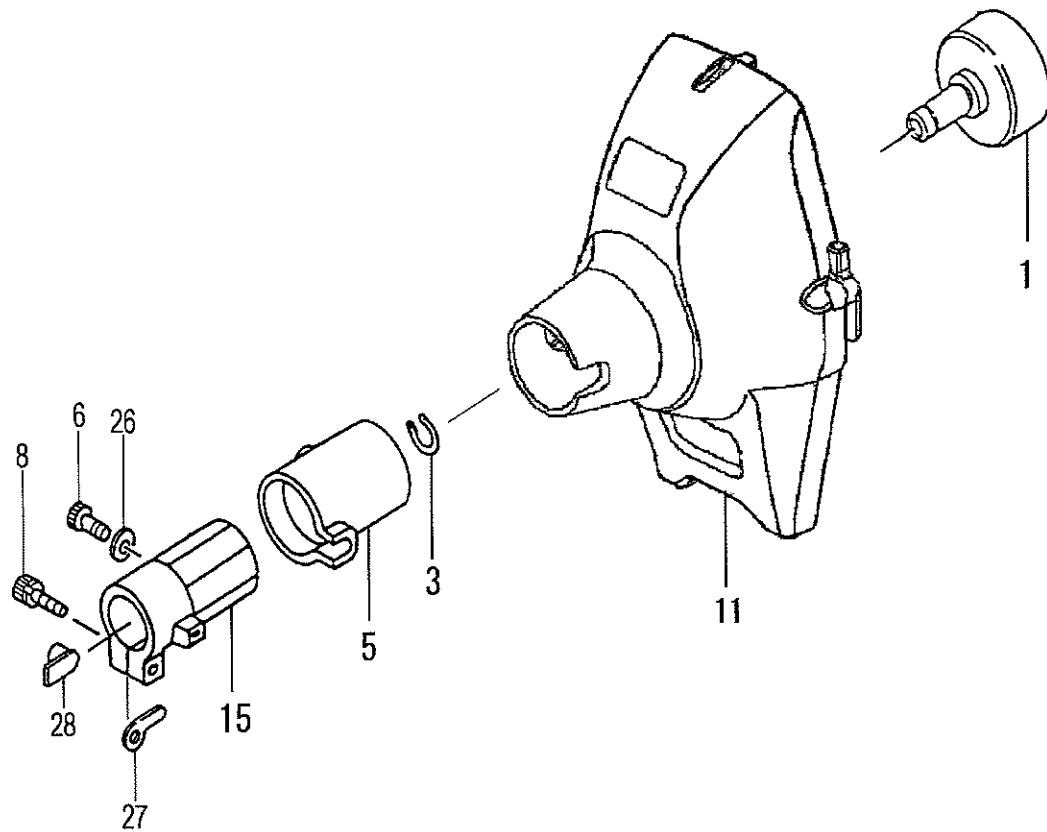
REF. NUMBER	PARTS NUMBER	DESCRIPTION	Q'TY
001	668-5693	CYLINDER COVER (BLK)	1
004	669-5504	HEX.HOLE BOLT 5X16/PS	2
005	669-5067	HEX.HOLE BOLT 6X65	2
006	668-4639	WASHER 6	2
007	669-2576	MUFFLER COMP.	1
008	669-2888	TAIL PIPE GASKET	1
010	669-2715	TAIL PIPE SET	1
011	668-4651	SCREW M4X8/WS	2
013	669-2701	SPARK ARRESTER	1
021	669-2818	MUFFLER PROTECTOR BLK	1
024	669-5508	HEX. HOLE BOLT 4X18WS	2
030	668-8344	PLUG COVER	1
031	668-4642	CLUTCH WASHER B	2
032	668-4643	CLUTCH SHOE COMP.	2
033	668-4644	CLUTCH SPRING	1
034	668-4645	CLUTCH PLATE A 0.5	2
035	668-4646	STEP BOLT	2
036	668-4634	HEX.HOLE BOLT 5X20/PS	3
038	668-4648	BENT WASHER 8	2
045	668-4636	TAPPING SCREW D4.5X16	1
073	668-7265	HEAT SHIELD	1

B65-05**CG27EJ(SLP) RECOIL STARTER**

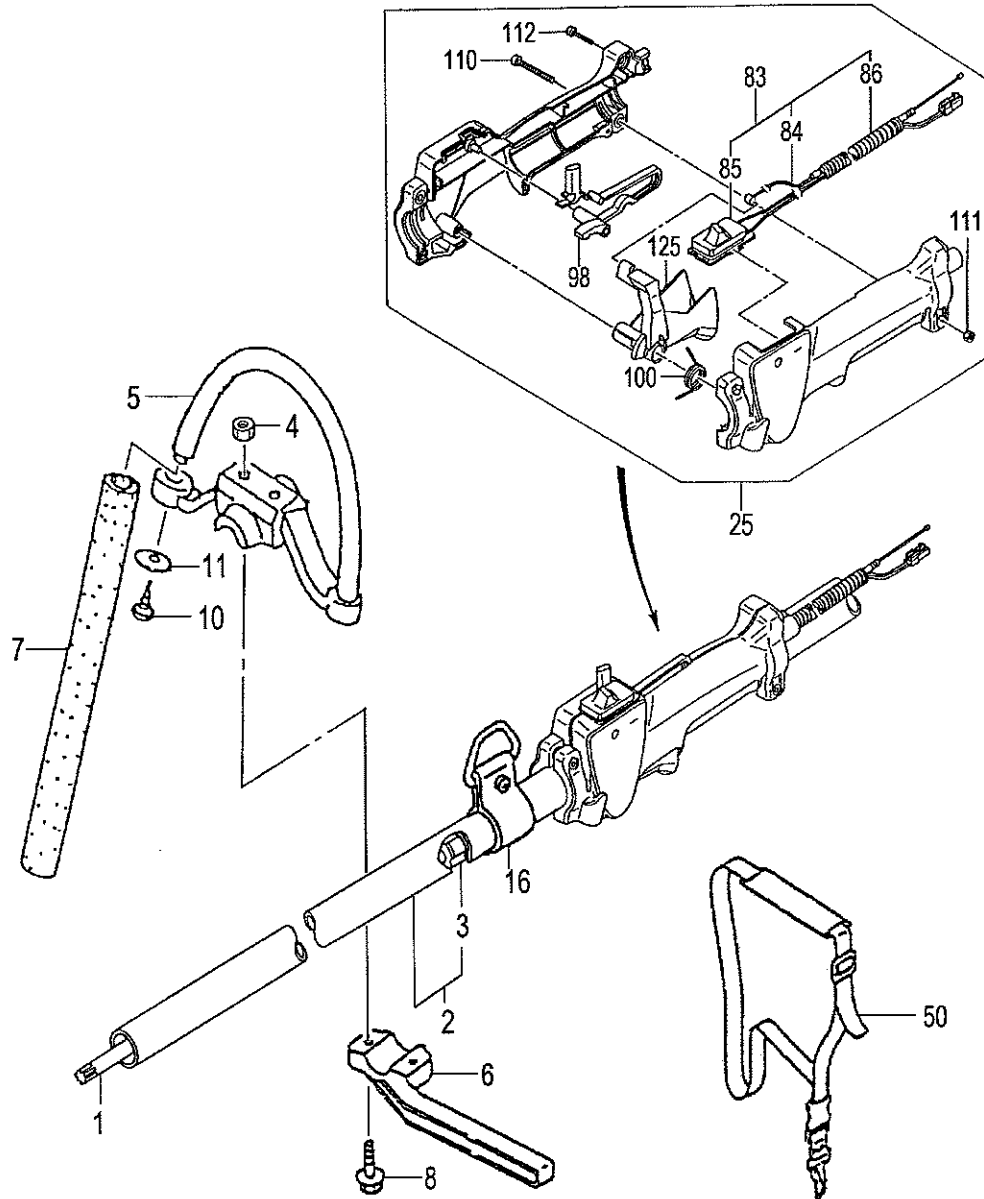
REF. NUMBER	PARTS NUMBER	DESCRIPTION	QTY
000	668-4672	RECOIL STARTER BODY ASS'Y	1
001	668-4673	RECOIL STARTER BODY COMP.	1
002	668-4674	STARTER ROPE 3.5X860	1
003	668-4675	RECOIL SPRING	1
004	668-4676	STARTER ROPE REEL	1
005	668-4677	DUMPER SPRING	1
006	668-4678	CAM PLATE	1
007	668-4679	SET SCREW	1
008	668-4680	STARTER HANDLE	1
024	669-5508	HEX. HOLE BOLT 4X18WS	2
055	668-4681	STARTER PULLEY ASS'Y	1
056	668-4685	STARTER PAWL	2
057	668-4684	STARTER PAWL SPRING	2
058	668-4683	STOP RING E-5	2

B65-06**CG27EJ(SLP) CARBURETOR**

REF. NUMBER	PARTS NUMBER	DESCRIPTION	Q'TY
002	668-4879	PUMP BODY COMP.	1
003	668-4687	PRIMING PUMP COMP.	1
004	668-4688	DIAPHRAGM COVER	1
005	668-4689	PRIMING BODY	1
006	668-4690	METERING DIAPHRAGM COMP.	1
007	668-4691	DIAPHRAGM GASKET	1
008	668-4693	PUMP DIAPHRAGM	1
009	668-4692	PUMP GASKET	1
010	669-1874	LONG MAIN JET #38	1
011	668-4695	O-RING	1
012	668-4696	STOP RING	1
013	668-4697	SWIVEL	1
015	668-4870	THROTTLE SET SCREW	2
016	668-4873	CABLE ADJUSTER STAY	1
019	668-4875	CLEANER PACKING	1
020	668-4699	SET SCREW	4
021	668-4874	THRUST WASHER	1
201	668-4700	INLET SCREEN	1

B56-07**CG27EJ(SLP) FAN CASE**

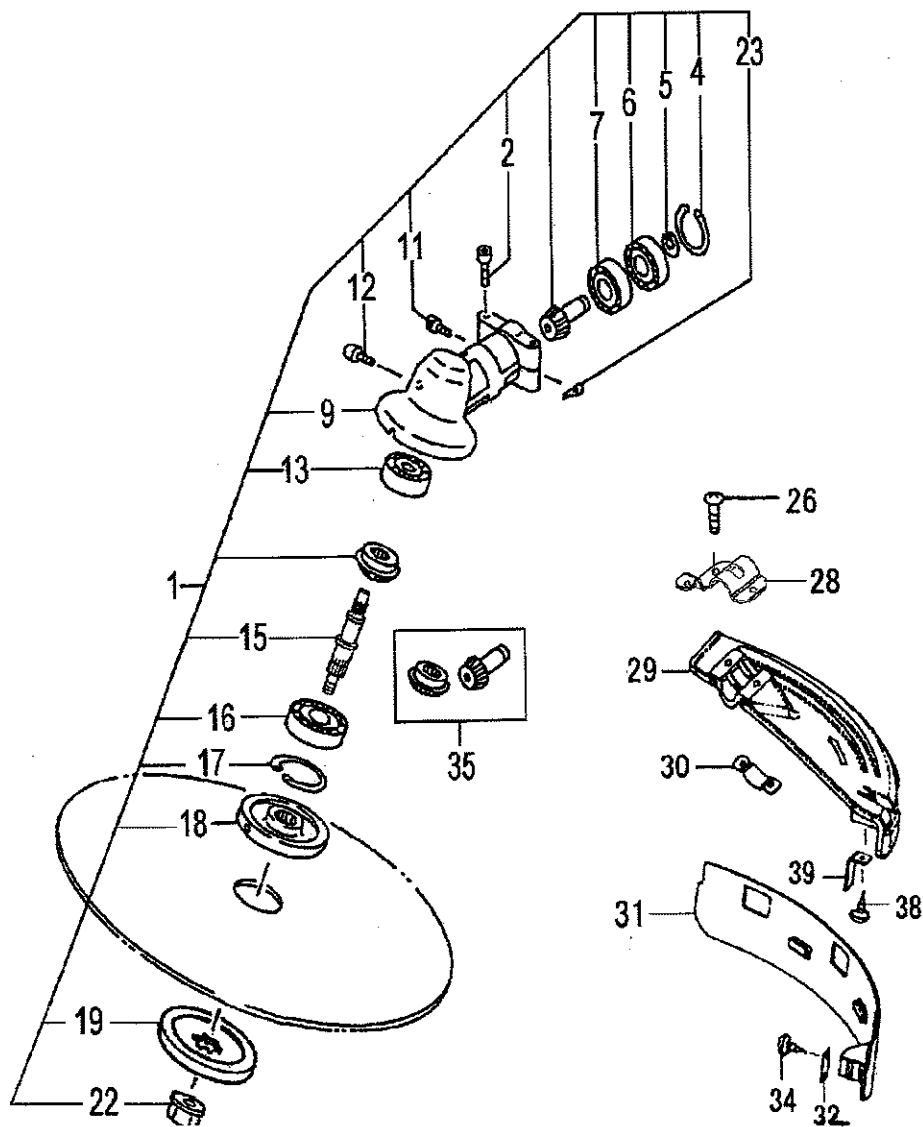
REF. NUMBER	PARTS NUMBER	DESCRIPTION	Q'TY
001	668-8580	CLUTCH DRUM COMP.	1
003	668-4664	STOP RING C-12 OUTER	1
005	669-1823	CUSHION RUBBER	1
006	669-5046	HEX. HOLE BOLT 5X16	1
008	668-4709	HEX.HOLE BOLT M5X25/S	1
011	668-6959	FAN CASE COMP.	1
015	668-9651	PIPE HOLDER, TPE	1
026	668-4918	WASHER M5	1
027	668-9159	GEAR CASE WASHER	1
028	668-9664	METAL FITTING	1

B65-08**CG27EJ(SLP) THROTTLE LEVER**

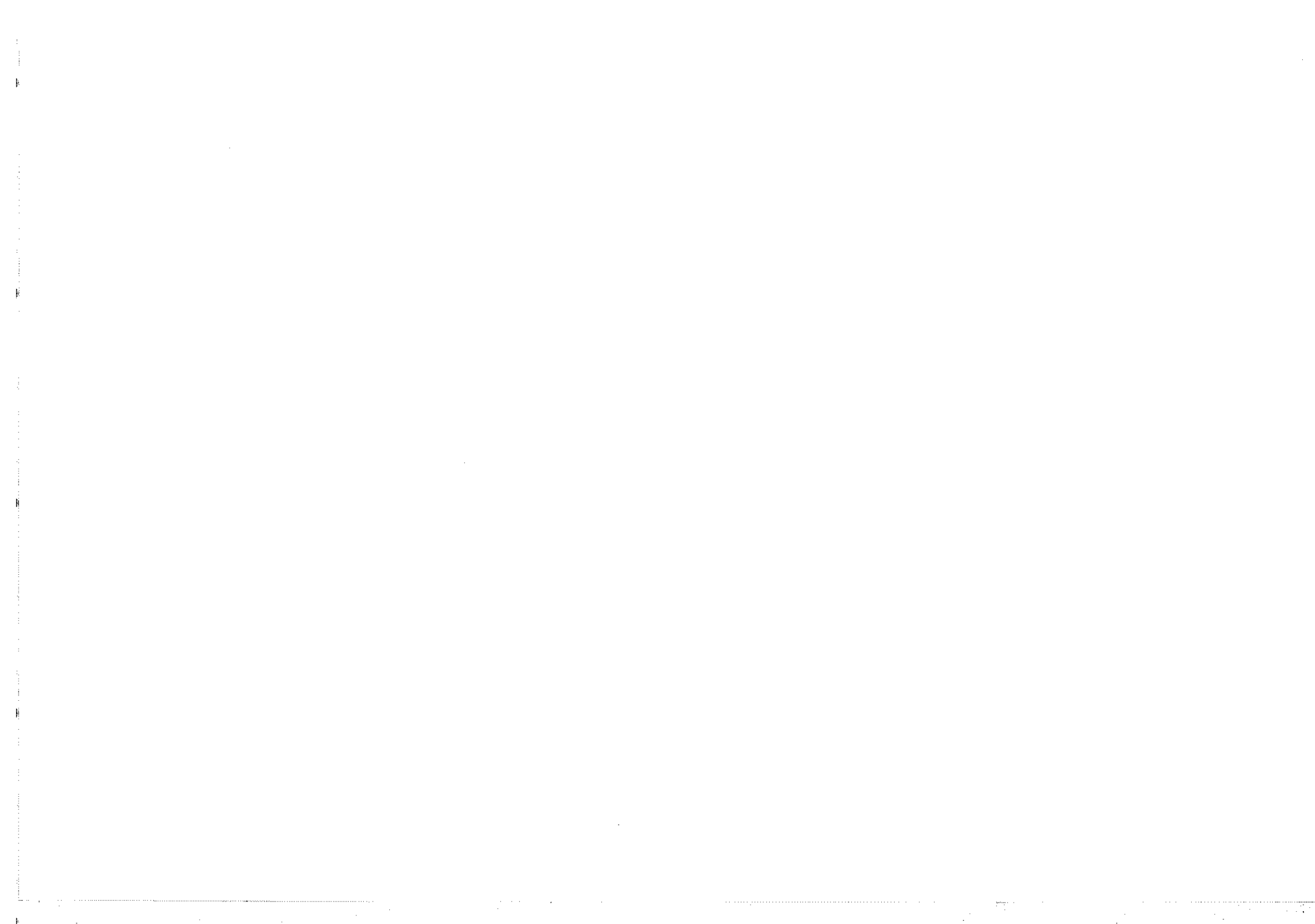
REF. NUMBER	PARTS NUMBER	DESCRIPTION	Q'TY
001	668-9477	DRIVE SHAFT 1487L	1
002	668-9386	DRIVE SHAFT PIPE COMP.	1
003	668-4831	BUSH ASS'Y	5
004	668-4835	HEX.NUT 6	2
005	669-1046	LOOP HANDLE, 24 DIA.,BLACK	1
006	668-4837	BARRIER(BLACK)	1
007	669-1098	HANDLE GRIP	1
008	668-4838	BOLT 6X43/P (BLACK)	2
010	669-5255	TAPPING SCREW 5X20	1
011	668-9681	BRAKE SHAFT WASHER	1
016	668-9277	LIFTING METAL ASS'Y	1
025	669-3773	THROTTLE LEVER ASS'Y 24	1
050	668-4839	SHOULDER BELT SINGLE	1
083	669-3984	THROTTLE WIRE COMP	1
084	669-4026	THROTTLE WIRE 4T	1
085	668-7463	STOP SWITCH COMP	1
086	668-7526	PROTECTION TUBE 7X175	1
098	668-4721	SAFETY LEVER	1
100	668-4722	RETURN SPRING	1
110	668-4803	SCREW M5X20	2
111	668-4727	CONICAL NUT 5	2
112	668-4725	SCREW M4X20 (BLACK)	4
125	668-4804	THROTTLE LEVER	1

B65-09

CG27EJ(SLP) GEAR CASE



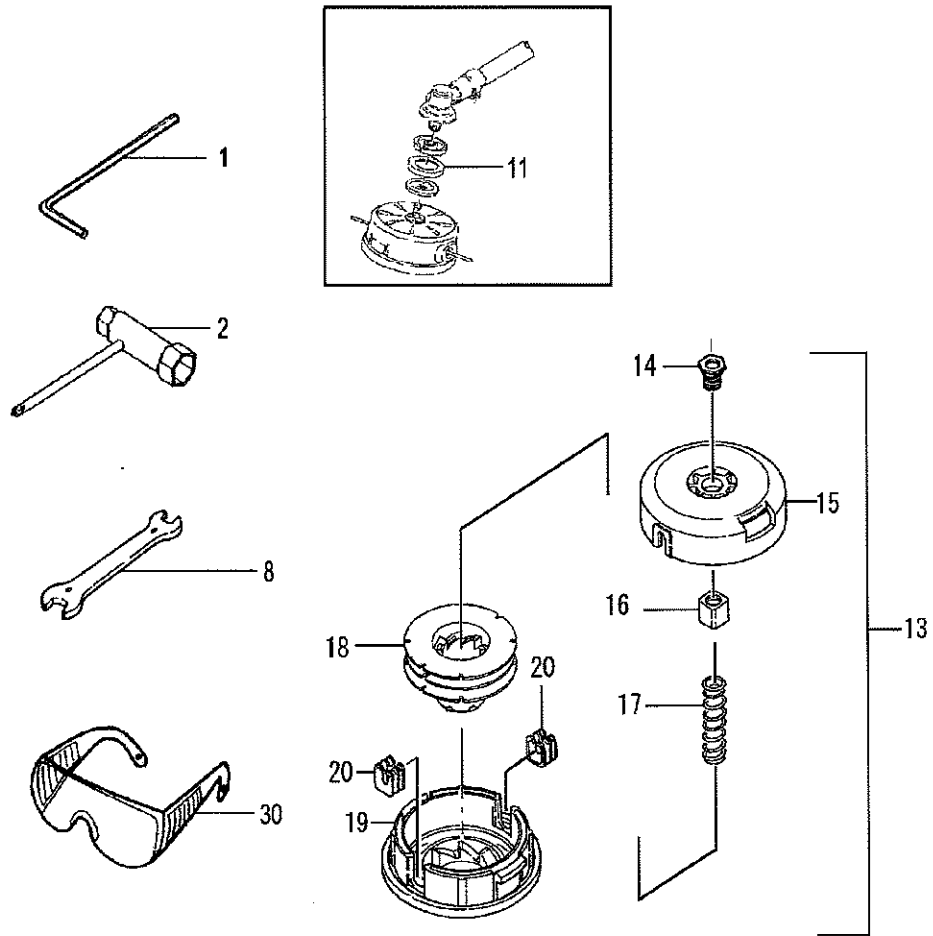
REF. NUMBER	PARTS NUMBER	DESCRIPTION	Q'TY
001	668-8797	GEAR CASE ASSY 24	1
002	668-4709	HEX.HOLE BOLT M5X25/S	2
004	669-5293	STOP RING C-22, INNER	1
005	669-5315	STOP RING OUTER 10	1
006	669-5579	BALL BEARING	1
007	669-5577	BALL BEARING 6900, 22MM/OD	1
009	668-8808	GEAR CASE 24	1
011	668-4667	HEX.HOLE BOLT M5X12/S	1
012	668-9109	OILING BOLT	1
013	668-4734	BALL BEARING 609	1
015	668-8924	GEAR SHAFT	1
016	669-5554	BALL BEARING 6201D, 32MM/OD	1
017	669-5295	STOP RING C-32, INNER	1
018	668-9032	CUTTER HOLDER	1
019	668-9055	CUTTER HOLDER CAP	1
022	668-9073	FIXING NUT M10X1.25	1
023	668-9160	GEAR CASE WASHER	1
026	668-4714	HEX.HOLE BUTTON SCREW 6X25S	2
028	669-0319	COVER BRACKET 24 DIA	1
029	668-4747	BLADE GUARD 24 CE	1
030	668-4748	SAFETY COVER HOLDER	1
031	669-0376	BLADE GUARD	1
032	668-4750	KNIFE	1
034	668-4751	TAPPING SCREW 4X14	1
035	668-8882	GEAR PINION SET SPARE	1
038	668-4753	TAPPING SCREW 5X20	1
039	668-4754	KNIFE	1





B65-10

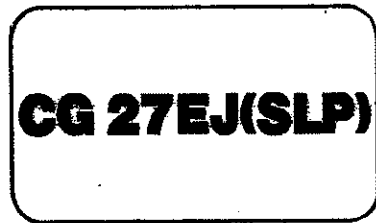
CG27EJ(SLP) TOOLS/OPTIONAL PARTS



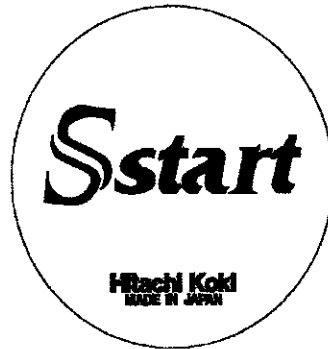
REF. NUMBER	PARTS NUMBER	DESCRIPTION	Q'TY
001	668-4813	HEX. BAR WRENCH 4MM	1
002	668-4764	BOX WRENCH (HEX. SOCKET 17/19)	1
008	668-4766	WRENCH 8X10	1
011	668-4763	WINDING PROTECTOR	1
013	668-4755	NYLON HEAD ASS'Y	1
014	668-4756	MOUNTING NUT L-M10X1.25	1
015	668-4757	CUTTING BODY	1
016	668-4758	SPECIAL NUT	1
017	668-4759	REEL SPRING	1
018	668-4760	SPOOL	1
019	668-4761	CUTTING BODY CAP	1
020	668-4762	EYELET	2
030	668-4765	SAFETY GLASSES	1

B65-11

CG27EJ(SLP) LABELS



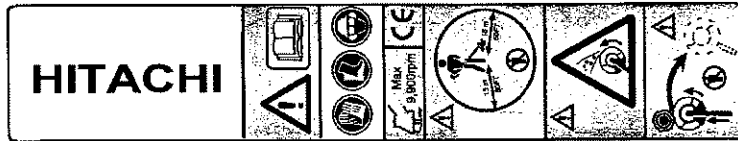
1



2



7



8

REF. NUMBER	PARTS NUMBER	DESCRIPTION	Q'TY
001	669-4676	SYMBOL MARK CG27EJ(SLP)	1
002	669-4474	STARTER MARK S.START	1
007	669-4741	SYMBOL MARK	1
008	668-4850	CAUTION MARK 9900RPM	1