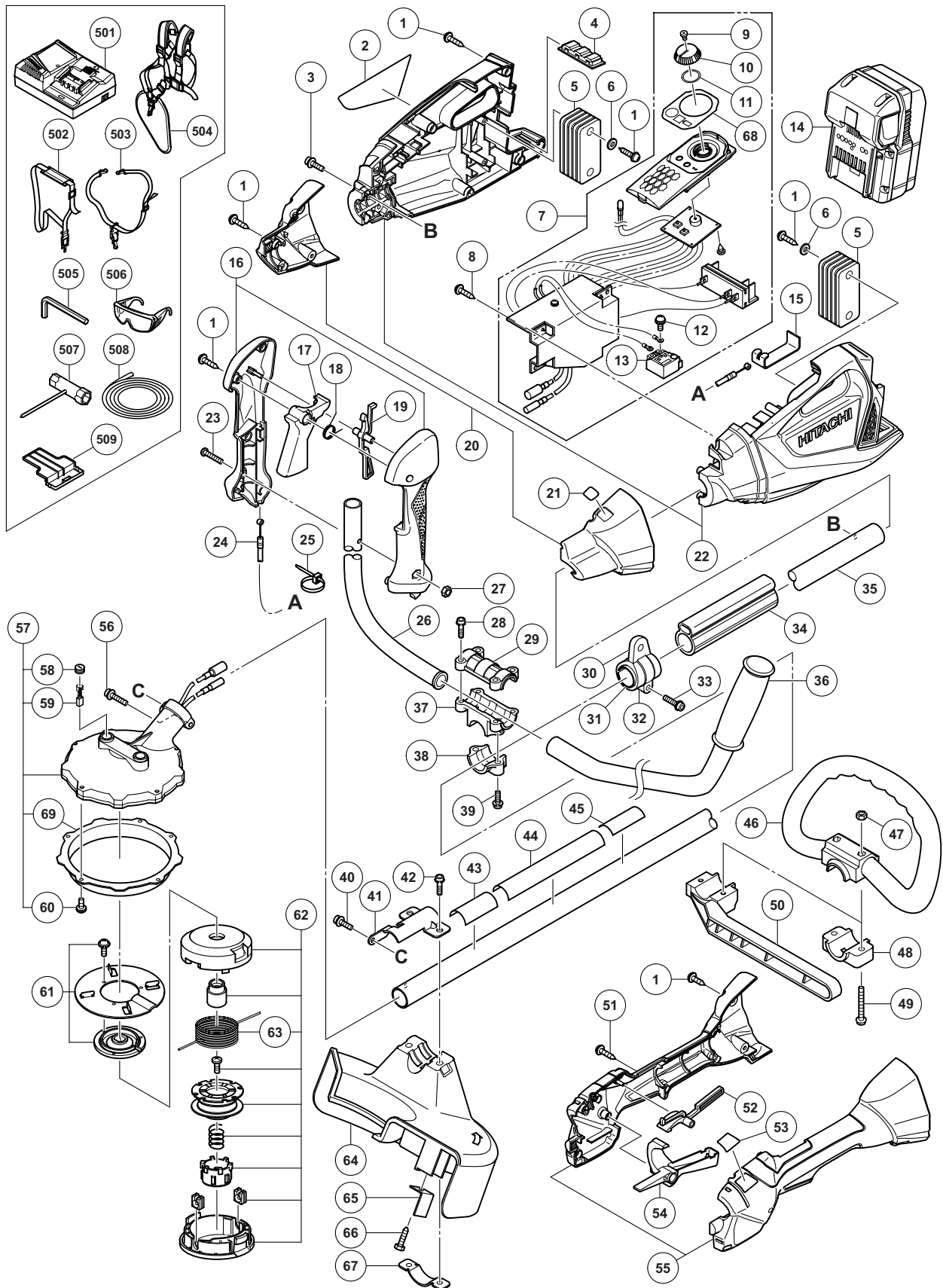


ELECTRIC TOOL PARTS LIST

CORDLESS GRASS TRIMMER
Model CG 36DL

2013·2·18
(E1)



PARTS

CG 36DL

ITEM NO.	CODE NO.	DESCRIPTION	NO. USED	REMARKS
1	301-653	TAPPING SCREW (W/FLANGE) D4 X 20 (BLACK)	21	
2		NAME PLATE	1	
3	996-728	HEX. SOCKET HD. BOLT (W/WASHERS) M5 X 16	1	
4	332-668	RUBBER CUSHION	1	
5	335-748	COUNTER WEIGHT	10	
6	329-140	WASHER (M)	4	
* 7	335-744	CONTROLLER ASS'Y	1	INCLUD. 9-13
* 7	335-224	CONTROLLER ASS'Y	1	INCLUD. 9-13 FOR MODEL (L)
* 7	335-225	CONTROLLER ASS'Y	1	INCLUD. 9-13 FOR MODEL (L) FOR USA, CAN
8	984-750	TAPPING SCREW (W/FLANGE) D4 X 16	4	
9	333-162	MACHINE SCREW M1.7 X 3.5	1	
10	876-031	O-RING (S-16)	1	
11	332-550	DIAL	1	
12	980-060	MACHINE SCREW (W/WASHER) M3.5 X 5	2	
13	332-552	SWITCH	1	
* 14	334-998	BATTERY BSL 3620 (EUROPE, AUS, NZL)	1	
* 14	334-997	BATTERY BSL 3620 (USA, CAN)	1	
15	330-771	PLATE	1	
16	334-541	HANDLE (A).(B) SET	1	
17	334-544	LEVER	1	
18	332-557	SPRING	1	
19	669-6490	LOCK LEVER	1	
20	335-229	COVER (A).(B) SET	1	
21		LABEL (B)	1	
22	335-227	HOUSING (A).(B) SET	1	
23	323-041	MACHINE SCREW M5 X 30 (BLACK)	1	
24	335-749	WIRE	1	
25	988-054	CABLE TIE	1	
* 26	335-750	HANDLE RIGHT	1	
* 26	335-751	HANDLE RIGHT	1	FOR AUS
27	302-012	NUT M5 (BLACK)	1	
28	668-4709	HEX. HOLE BOLT M5 X 25/S	4	
29	669-6576	HANDLE HOLDER (A)	1	
30	668-4705	HANGER	1	
31	668-4704	HANGER COLLAR	1	
32	668-4706	HANGER FIXING BRACKET	1	
33	668-4709	HEX. HOLE BOLT M5 X 25/S	1	
34	668-9292	CUSHION PAD	1	
35	335-226	MAIN PIPE	1	
* 36	669-8638	HANDLE LEFT	1	
* 36	669-6595	HANDLE LEFT	1	FOR AUS
37	669-6577	HANDLE HOLDER (B)	1	
38	669-6578	HANDLE HOLDER (C)	1	
39	668-4714	HEX. HOLE BUTTON SCREW 6 X 25S	2	
40	668-4667	HEX. HOLE BOLT M5 X 12/S	1	
41	333-321	COVER BRACKET	1	
42	668-4714	HEX. HOLE BUTTON SCREW 6 X 25S	2	
* 43		WARNING LABEL (G)	1	FOR USA, CAN
* 44		CAUTION LABEL (B)	1	
* 44		CAUTION MARK USA	1	FOR USA, CAN

