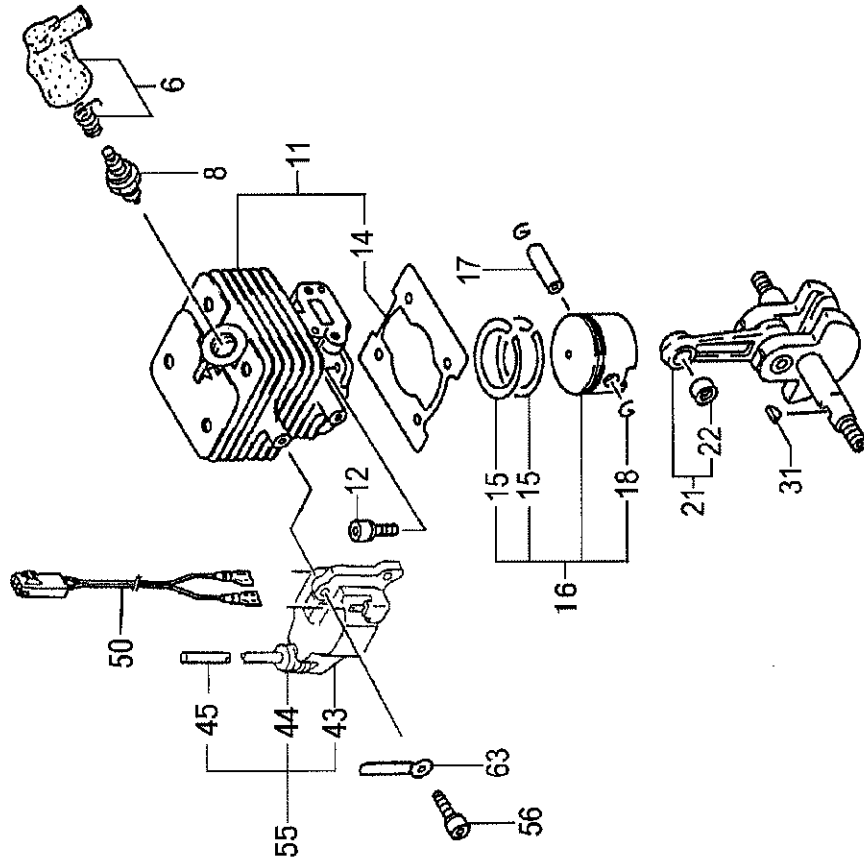


**B74**

**CG40EJ(L)**

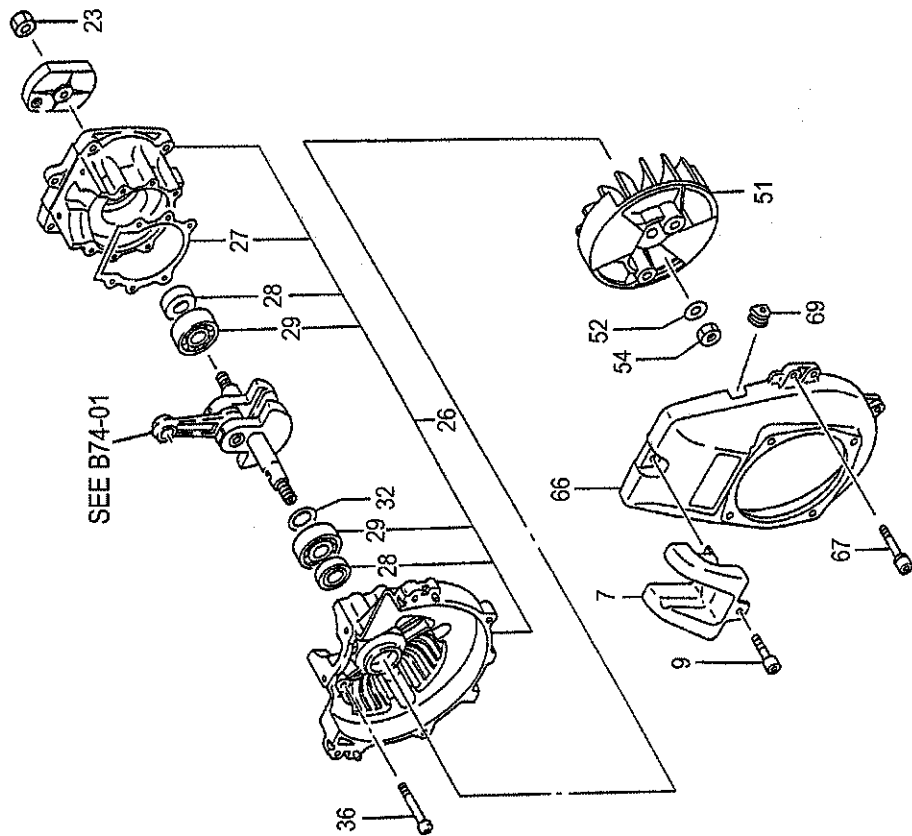
**Serial No.**

# B74-01 CG40EJ(L) CYLINDER/PISTON/CRANK SHAFT



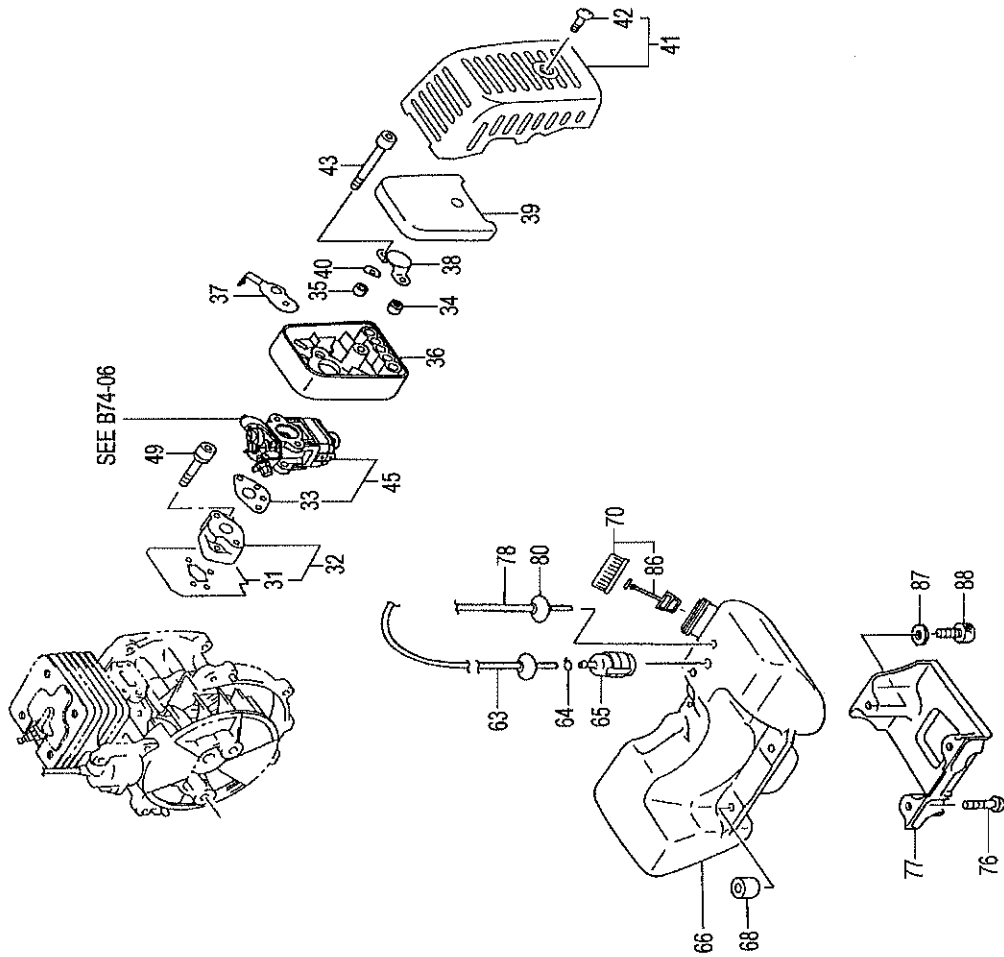
REF. NUMBER	PARTS NUMBER	DESCRIPTION	Q'TY	SERIAL NUMBER
006	668-746	SPARK PLUG CAP ASS'Y	1	
008	668-508	SPARK PLUG BPMR6A	1	
011	668-547	CYLINDER SET	1	
012	668-466	HEX.HOLE BOLT M5X20/S	4	
014	668-574	CYLINDER GASKET	1	
015	668-612	PISTON RING	2	
016	668-588	PISTON SET	1	
017	668-600	PISTON PIN 10X30	1	
018	668-603	PISTON PIN CIRCLIP	2	
021	668-619	CRANK SHAFT COMP.	1	
022	669-559	NEEDLE BRG F1010B 1.4X8.6	1	
031	668-645	WOOD-RUFF KEY 3X13X5	1	
043	668-765	IGNITION COIL COMP.	1	
044	668-460	RUBBER CAP	1	
045	668-788	HIGHT TENSION CORD	1	
050	668-796	LEAD WIRE ASS'Y	1	
055	668-765	IGNITION COIL ASSY	1	
056	668-459	HEX.HOLE BOLT MAX18WS	2	
063	668-801	CORD CLAMP COMP.	1	

# B74-02 CG40EJ(L) CRANK CASE



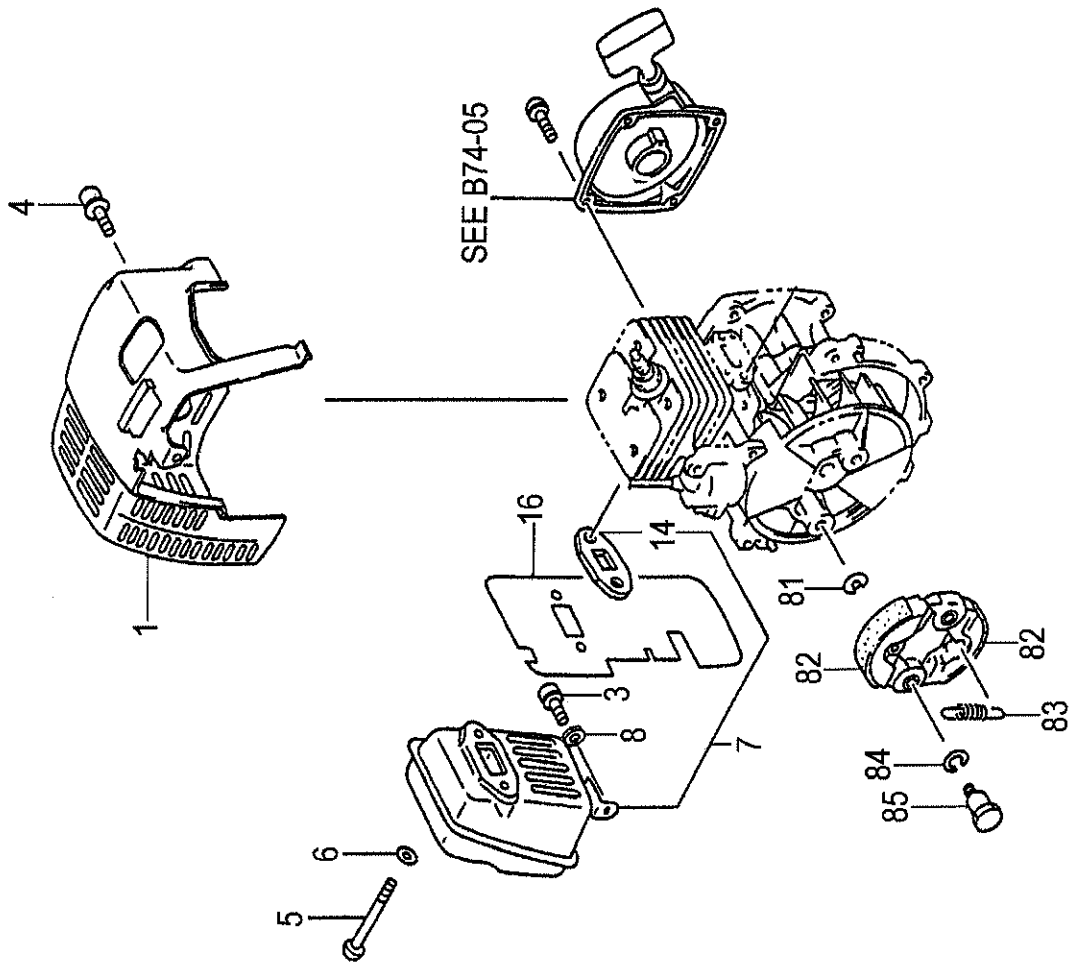
REF. NUMBER	PARTS NUMBER	DESCRIPTION	Q'TY	SERIAL NUMBER
007	668-834	SPARK PLUG COVER	1	
009	668-463	HEX.HOLE BOLT 5X20/PS	1	
023	669-513	SMALL NUT 10	1	
026	668-655	CRANK CASE ASS'Y	1	
027	668-671	CRANK CASE GASKET	1	
028	669-563	OIL SEAL UD15257	2	
029	669-555	BALL BEARING #6202, 35MM	2	
032	668-647	CRANK SHAFT SHIM 0.20	V	
032	668-647	CRANK SHAFT SHIM 0.30	V	
036	668-478	HEX. SOCKET HD. BOLT M5	4	
051	668-737	MAGNETO ROTOR COMP.	1	
052	669-519	WASHER 10	1	
054	669-513	NUT 10	1	
066	668-698	FAN CASE	1	
067	668-466	HEX.HOLE BOLT M5X20/S	4	
069	668-805	PRIMARY CORD GROMMET	1	

# B74-03 CG40EJ(L) ENGINE-1



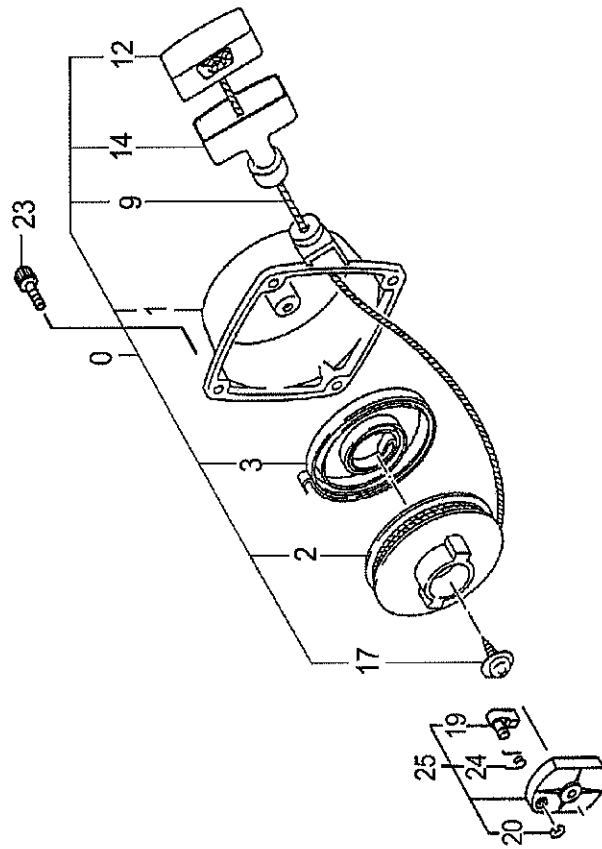
REF. NUMBER	PARTS NUMBER	DESCRIPTION	Q'TY	SERIAL NUMBER
031	668-988	INLET MANIFOLD GASKET	1	
032	668-995	CARBURETOR INSULATOR	1	
033	668-982	CARBURETOR GASKET	1	
034	669-043	COLLAR	1	
035	669-080	COLLAR	1	
036	669-009	CLEANER BODY COMP.	1	
037	669-126	CHOKE VALVE	1	
038	669-084	BLOW OVER CHECK BOAR	1	
039	669-035	CLEANER ELEMENT 6T	2	
040	668-465	WAVE WASHER 8	1	
041	669-039	CLEANER COVER ASS'Y	1	
042	668-973	SPECIAL SCREW	1	
043	669-535	SCREW 5X57/S	2	
045	669-047	CARBURETOR SET WT775	1	
049	669-551	HEX. HOLE BOLT 5X25WS	2	
063	668-816	FUEL PIPE ASSY 3X5X180	1	
064	668-461	CLIP, 6.3 DIA.	1	
065	669-227	PUMP FILTER BODY ASSY	1	
066	669-153	TANK	1	
068	668-462	COLLAR C	3	
070	669-171	TANK CAP D ASS'Y. ORANG	1	
076	668-463	HEX. HOLE BOLT 5X20/PS	2	
077	669-478	ENGINE BED	1	
078	668-488	FUEL PIPE 3X5X80	1	
080	668-815	FUEL PIPE GROMMET	1	
086	668-462	TANK CAP CHAIN	1	
087	668-491	WASHER M5	1	
088	669-549	HEX. HOLE BOLT 5X22/S	1	

**B74-04 CG40EJ(L) ENGINE-2**



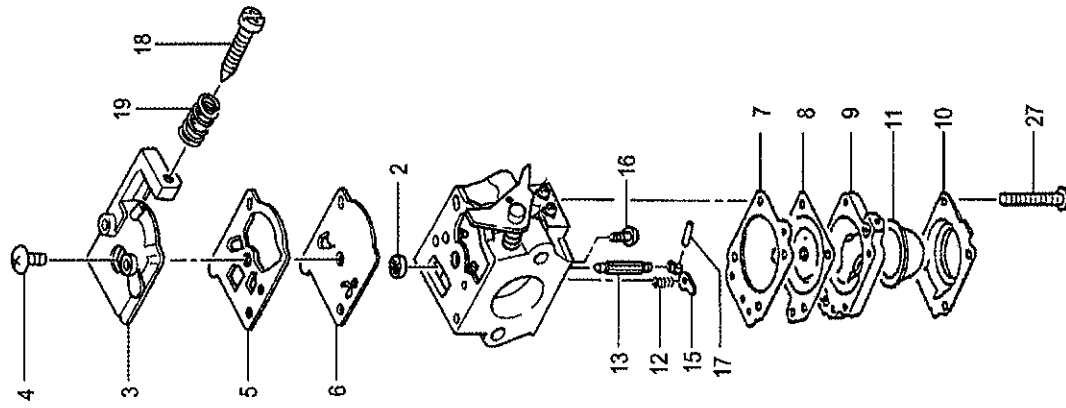
REF. NUMBER	PARTS NUMBER	DESCRIPTION	Q'TY	SERIAL NUMBER
001	669-278	MUFFLER PROTECTOR	1	
003	668-466	HEX. HOLE BOLT M5X12/S	1	
004	669-551	HEX. HOLE BOLT 5X15WS	1	
005	669-506	HEX. HOLE BOLT 6X65	2	
006	668-463	WASHER 6	2	
007	669-246	MUFFLER SET P/N	1	
008	668-491	WASHER M5	1	
014	669-274	MUFFLER GASKET	1	
016	668-724	HEAT SHIELD	1	
081	668-964	CLUTCH WASHER B	2	
082	668-861	CLUTCH ARM COMP.	2	
083	668-942	CLUTCH SPRING	1	
084	669-520	WAVE WASHER 10	2	
085	668-963	CLUTCH STEP BOLT	2	

# B74-05 CG40EJ(L) RECOIL STARTER



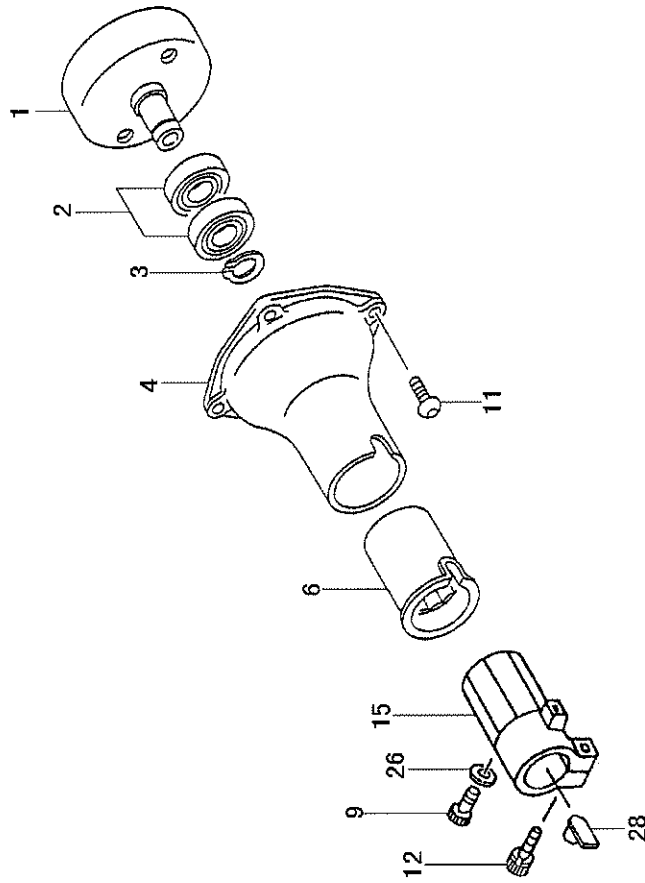
REF. NUMBER	PARTS NUMBER	DESCRIPTION	QTY	SERIAL NUMBER
000	669-2974	RECOIL STARTER BODY AS	1	
001	669-3021	RECOIL STARTER BODY CO	1	
002	669-3001	STARTER ROPE REEL	1	
003	669-3111	RECOIL SPRING	1	
009	669-3161	STARTER ROPE	1	
012	669-3601	STARTER HANDLE CAP	1	
014	669-3231	STARTER HANDLE	1	
017	669-3631	SET SCREW	1	
019	669-3301	STARTER PAWL	1	
020	668-4681	STOP RING E-5	1	
023	668-4631	HEX.HOLE BOLT 5X20/PS	4	
024	669-3341	STARTER PAWL SPRING	1	
025	669-3391	STARTER PULLEY	1	

# B74-06 CG40EJ(L) CARBURETOR



REF. NUMBER	PARTS NUMBER	DESCRIPTION	Q'TY	SERIAL NUMBER
002	668-470	INLET SCREEN	1	
003	669-141	PUMP BODY	1	
004	668-521	SCREW	1	
005	669-145	PUMP GASKET	1	
006	668-521	PUMP DIAPHRAGM	1	
007	669-083	DIAPHRAGM GASKET	1	
008	669-082	METERING DIAPHRAGM CO	1	
009	669-043	AIR PURGE COMP.	1	
010	669-085	DIAPHRAGM COVER	1	
011	668-468	PRIMING BODY	1	
012	669-087	VALVE SPRING	1	
013	668-521	NEEDLE VALVE	1	
015	668-521	CONTROL LEVER	1	
016	668-521	HINGE PIN SET SCREW	1	
017	668-521	HINGE PIN	1	
018	669-073	IDLE ADJUST SCREW	1	
019	669-076	IDLE ADJUST SPRING	1	
027	669-131	SET SCREW	4	

**B74-07 CG40EJ(L) CLUTCH CASE**

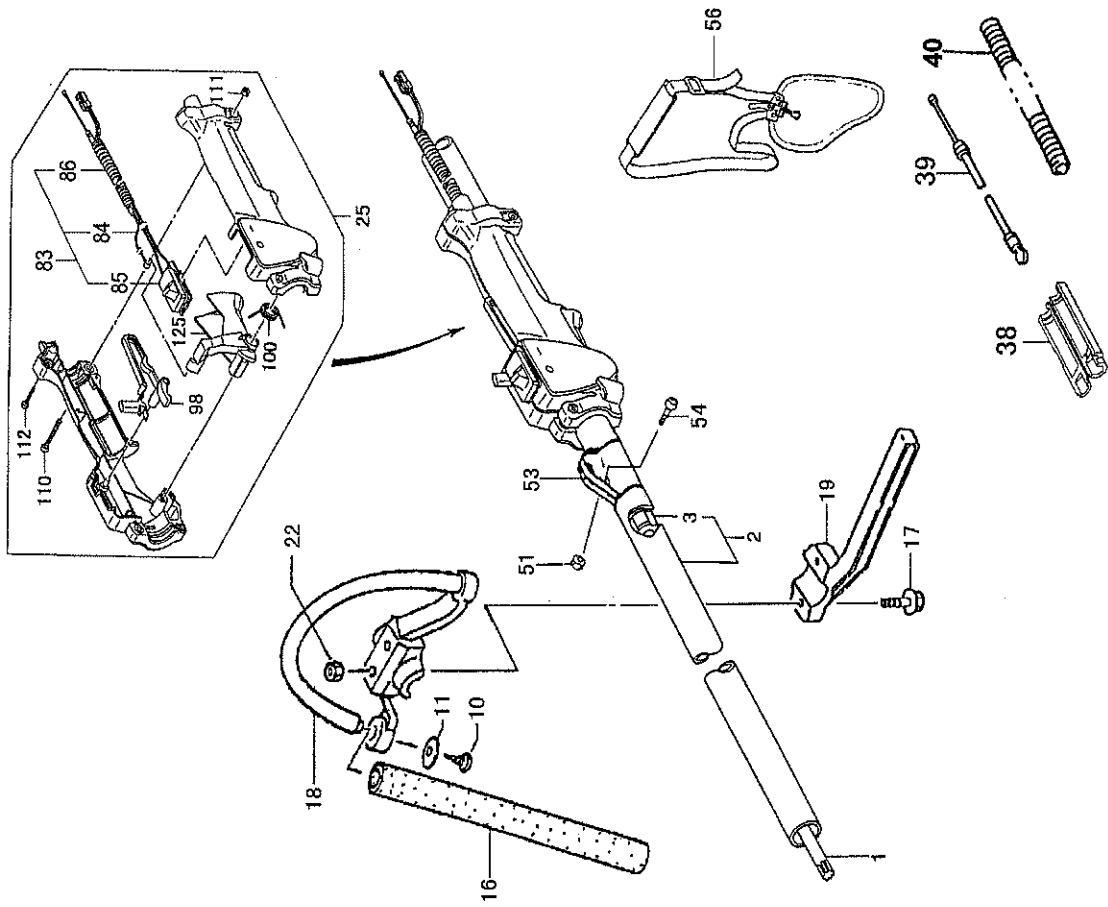


REF. NUMBER	PARTS NUMBER	DESCRIPTION	Q'TY
001	668-8584	CLUTCH SHAFT COMP.	1
002	669-5555	BALL BEARING #6202Z, 35MM/OD	2
003	669-5284	STOP RING C-15, OUTER	1
004	668-9194	CLUTCH CASE	1
006	669-1824	CUSHION RUBBER	1
009	669-5044	HEX. HOLE BOLT 5X16	1
011	668-5064	HEX. SOCKET HD. BOLT (W/BUTTON) M6X2	4
012	669-5094	HEX HOLE BOLT 5 X 25	1
015	668-9654	PIPE HOLDER	1
026	668-4914	WASHER M5	1
028	668-9664	METAL FITTING	1



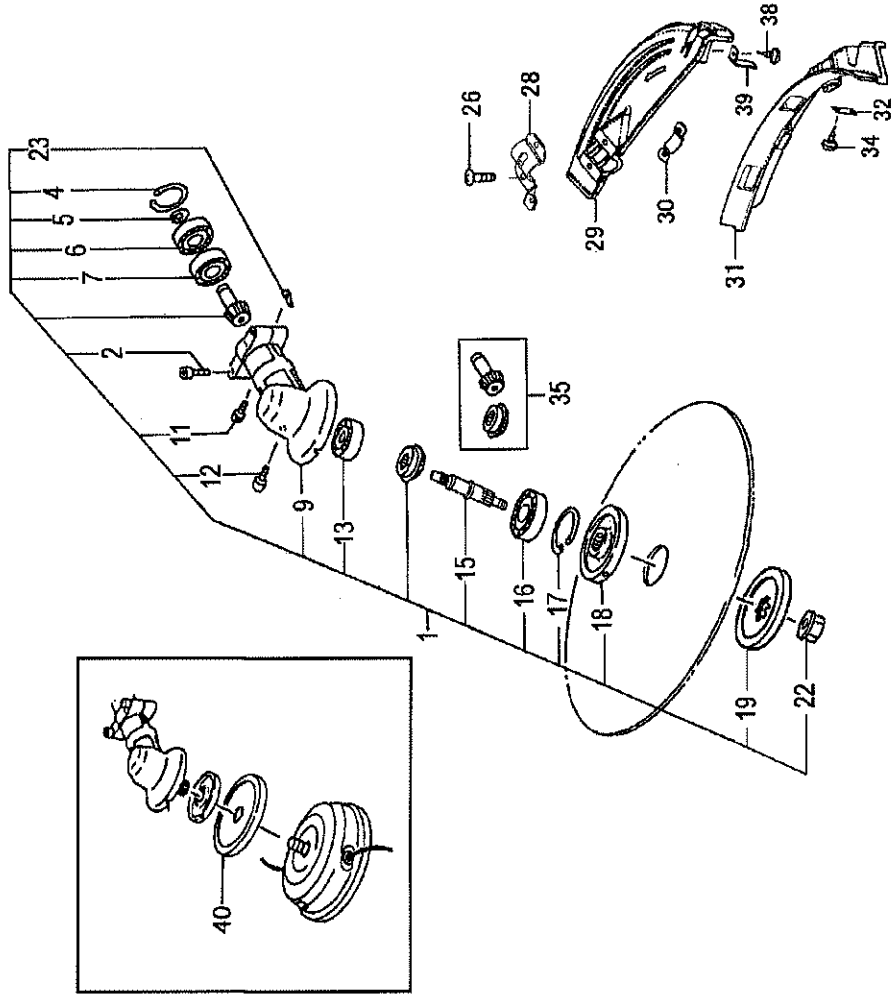
SERIAL  
NUMBER

# B74-08 CG40EJ(L) OPERATION PIPE



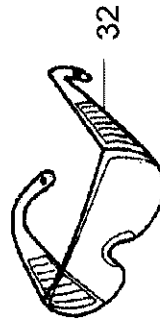
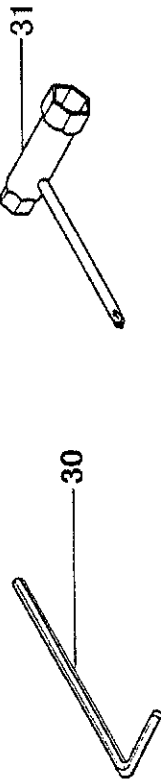
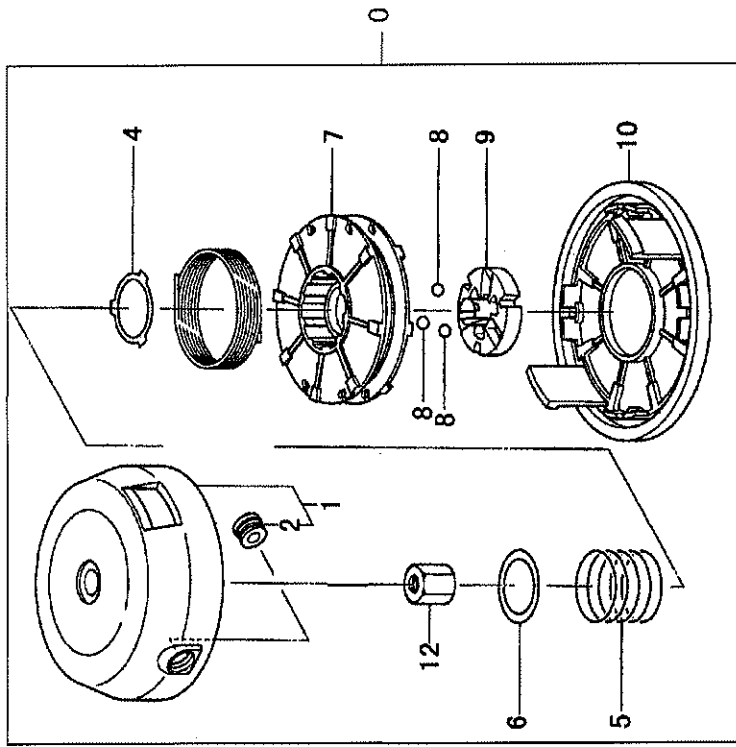
REF. NUMBER	PARTS NUMBER	DESCRIPTION	QTY	SERIAL NUMBER
001	668-947	DRIVE SHAFT	1	
002	668-940	DRIVE SHAFT COMP.	1	
003	668-952	BUSH ASSY, 8 DIA.	5	
010	669-525	TAPPING SCREW 5X20	1	
011	668-968	BRAKE SHAFT WASHER	1	
016	669-109	HANDLE GRIP	1	
017	668-483	BOLT 6X43/P (BLACK)	2	
018	669-104	LOOP HANDLE, 26DIA., BLACK	1	
019	669-123	BARRIER, 26 DIA, BLACK	1	
022	668-483	HEX.NUT 6	2	
025	669-373	THROTTLE LEVER ASSY	1	
038	669-402	CONNECTOR CASE	1	
039	669-389	THROTTLE WIRE 125+70.5	1	
040	668-752	SPLIT PROTECTION TUBE,7X70	1	
051	668-505	NUT 5	1	
053	668-926	LIFTING METAL	1	
054	668-490	HEX.HOLE BOLT M5X16/S	1	
056	669-287	SHOULDER BELT ASSY	1	
083	669-395	THROTTLE WIRE COMP.	1	
084	669-401	THROTTLE WIRE	1	
085	668-744	STOP SWITCH COMP.	1	
086	668-751	SPLIT PROTECTION TUBE,7X70	1	
098	668-472	SAFETY LEVER	1	
100	668-472	RETURN SPRING	1	
110	668-480	SCREW M5X20	2	
111	668-472	CONTAL NUT 5	2	
112	668-472	SCREW M4X20 (BLACK)	4	
125	668-480	THROTTLE LEVER	1	

# B74-09 CG40EJ(L) GEAR CASE/GUARD



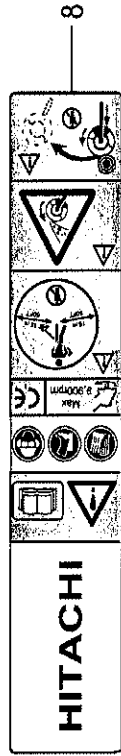
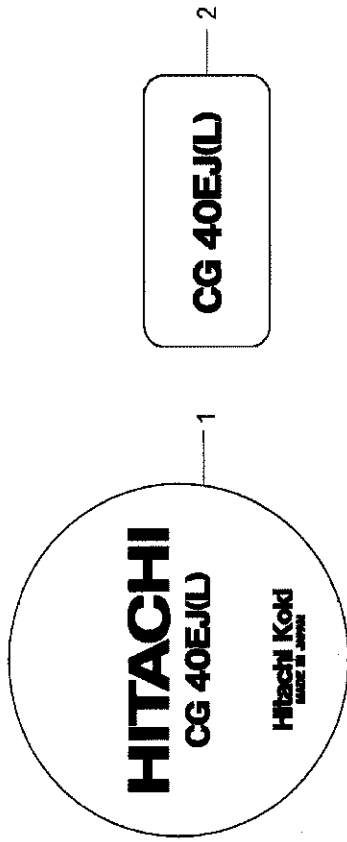
REF. NUMBER	PARTS NUMBER	DESCRIPTION	Q'TY	SERIAL NUMBER
001	668-869	GEAR CASE ASSY, 26 DIA.	1	
002	668-470	HEX.HOLE BOLT M5X25/S	2	
004	669-529	STOP RING C-26, INNER	1	
005	669-531	STOP RING OUTER 10	1	
006	669-552	BALL BEARING #6000Z, 26MM/OD	1	
007	669-552	BALL BEARING #6000, 26MM/OD	1	
009	668-877	GEAR CASE 26 DIA	1	
011	668-466	HEX.HOLE BOLT M5X12/S	1	
012	668-910	OILING BOLT	1	
013	668-473	BALL BEARING 609	1	
015	668-892	GEAR SHAFT	1	
016	669-555	BALL BEARING 6201D, 32MM/OD	1	
017	669-529	STOP RING C-32, INNER	1	
018	668-903	CUTTER HOLDER	1	
019	668-905	CUTTER HOLDER CAP	1	
022	668-907	FIXING NUT M10X1.25	1	
023	668-916	GEAR CASE WASHER	1	
026	668-471	HEX.HOLE BUTTON SCREW 6X25	2	
028	669-031	COVER BRACKET 26	1	
029	669-027	BLADE GUARD 26CE	1	
030	668-474	SAFETY COVER HOLDER	1	
031	669-037	BLADE GUARD	1	
032	668-475	KNIFE	1	
034	668-475	TAPPING SCREW 4X14	1	
035	668-887	GEAR/PINION SET, SPARE	1	
038	668-475	TAPPING SCREW 5X20	1	
039	668-475	KNIFE	1	
040	668-898	WINDING PROTECTOR COVER	1	

**B74-10 CG40EJ(L) TOOLS/OPTIONAL PARTS**



REF. NUMBER	PARTS NUMBER	DESCRIPTION	Q'TY	SERIAL NUMBER
000	669-321	NYLON HEAD TH97LM	1	
001	669-327	CUTTING BODY ASS'Y	1	
002	669-332	EYELET	2	
004	669-324	ADJUSTMENT BASE	1	
005	669-337	SPRING (SILVER)	1	
006	669-336	ADJUSTMENT WASHER	1	
007	669-329	CORD REEL BK	1	
008	669-227	STEEL BALL	3	
009	669-335	REEL SLIDER	1	
010	669-333	CUTTING BODY CAP	1	
012	668-909	MOUNTING NUT, L-M10X1.2	1	
030	668-481	HEX. BAR WRENCH 4MM	1	
031	668-476	BOX WRENCH (HEX. SOCK	1	
032	668-476	SAFETY GLASSES	1	

**B74-11 CG40EJ(L) LABELS**



REF. NUMBER	PARTS NUMBER	DESCRIPTION	Q'TY	SERIAL NUMBER
001	669-415	NAME PLATE CG40EJ(L)	1	
002	669-462	SYMBOL MARK CG40EJ(L)	1	
008	668-485	CAUTION MARK 9900RPM	1	