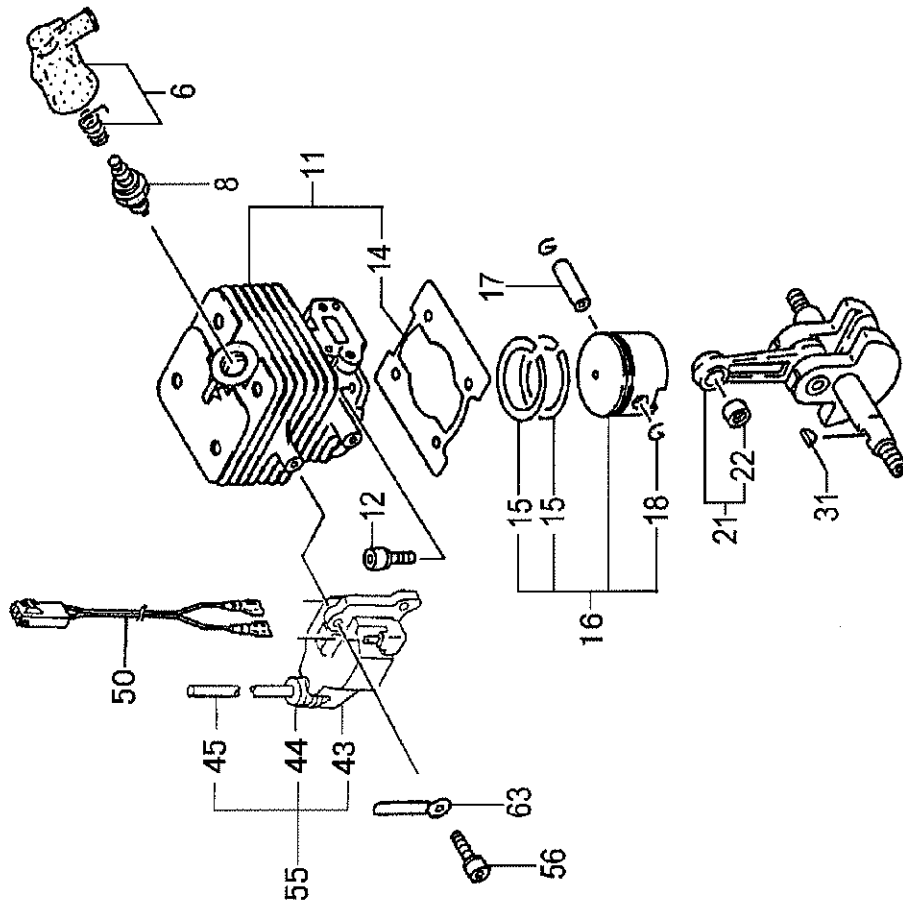


B38

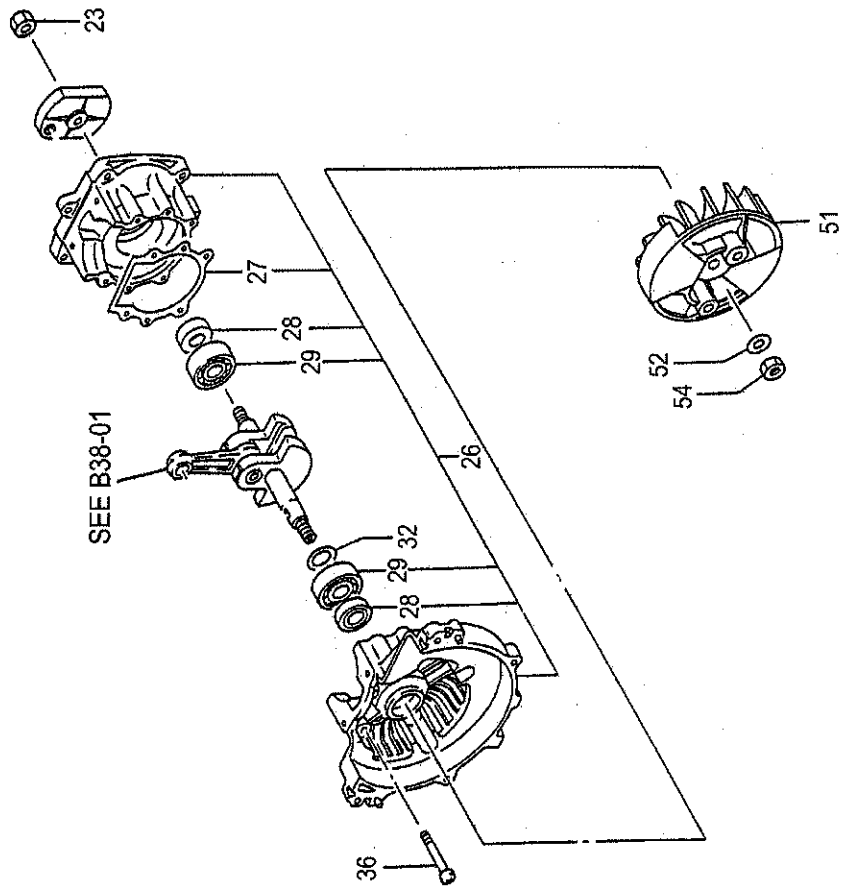
CG40EY(T)

Serial No.

B38-01 CG40EY(T) CYLINDER/PISTON/CRANK SHAFT



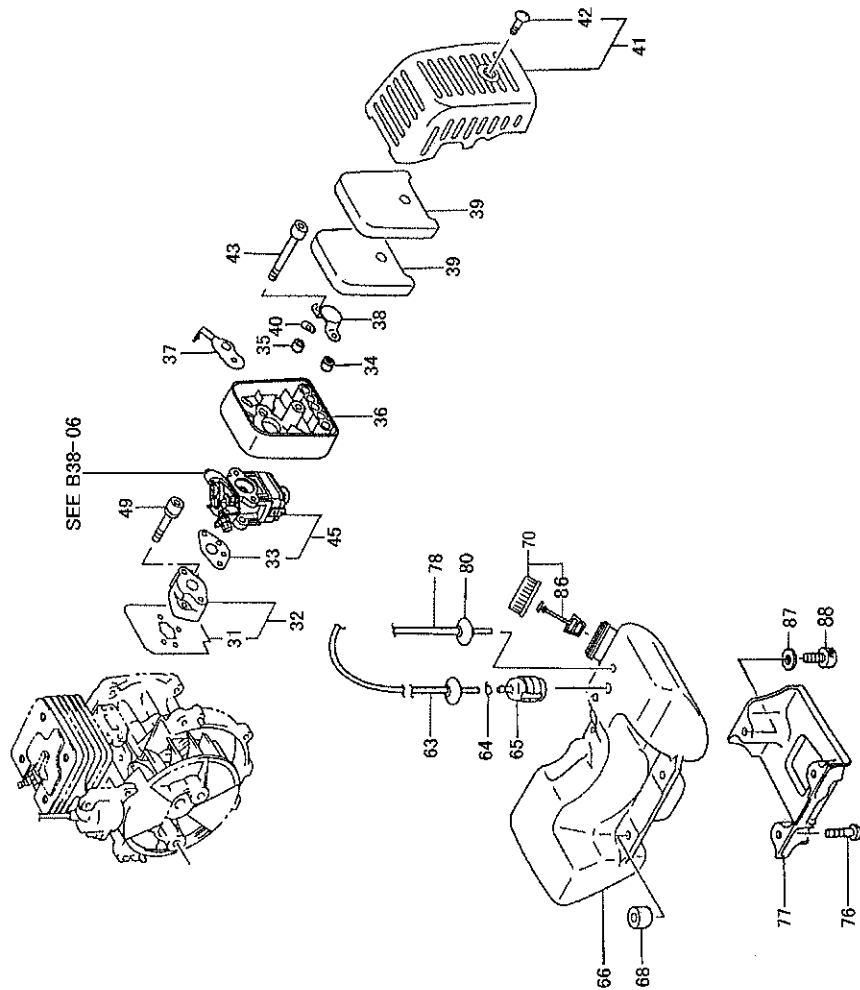
REF. NUMBER	PARTS NUMBER	DESCRIPTION	QTY	SERIAL NUMBER
006	668-746	SPARK PLUG CAP ASSY	1	
008	668-508	SPARK PLUG BP6A	1	
011	668-547	CYLINDER SET	1	
012	668-466	HEX.HOLE BOLT M5X20/S	4	
014	668-574	CYLINDER GASKET	1	
015	668-612	PISTON RING	2	
016	668-588	PISTON SET	1	
017	668-600	PISTON PIN 10X30	1	
018	668-603	PISTON PIN CIRCLIP	2	
021	668-619	CRANK SHAFT COMP.	1	
022	669-559	NEEDLE BRG F1010B 1.4X8.6	1	
031	668-645	WOOD-RUFF KEY 3X13X5	1	
043	668-765	IGNITION COIL COMP.	1	
044	668-460	RUBBER CAP	1	
045	668-788	HIGHT TENSION CORD	1	
050	668-797	LEAD WIRE ASS'Y	1	
055	668-765	IGNITION COIL ASSY	1	
056	668-459	HEX.HOLE BOLT M4X18/WS	2	
063	668-801	CORD CLAMP COMP.	1	

B38-02**CG40EY(T) CRANK CASE**

REF. NUMBER	PARTS NUMBER	DESCRIPTION	Q'TY	SERIAL NUMBER
023	669-513	SMALL NUT 10	1	
026	668-655	CRANK CASE ASSY	1	
027	668-671	CRANK CASE GASKET	1	
028	669-563	OIL SEAL UD15257	2	
029	669-555	BALL BEARING #6202, 35MM/OD	2	
032	668-647	CRANK SHAFT SHIM 0.20	V	
032	668-647	CRANK SHAFT SHIM 0.30	V	
036	668-478	HEX. SOCKET HD. BOLT M5X30 S	4	
051	668-737	MAGNETO ROTOR COMP.	1	
052	669-519	WASHER 10	1	
054	669-513	SMALL NUT 10	1	

B38-03

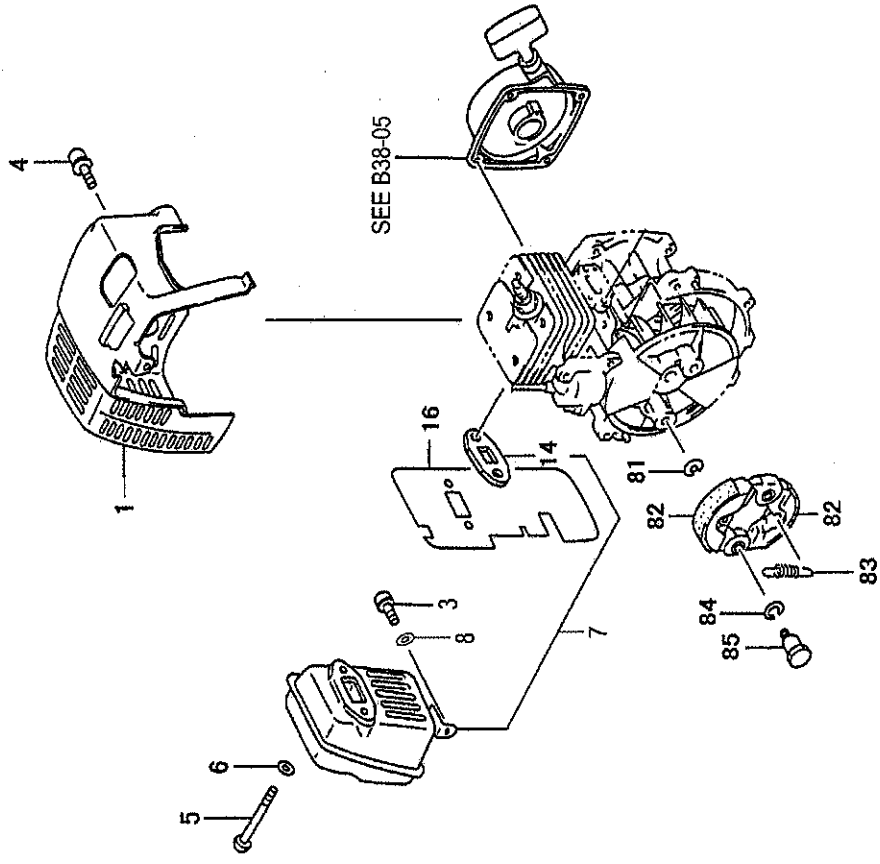
CG40EY(T) ENGINE-1



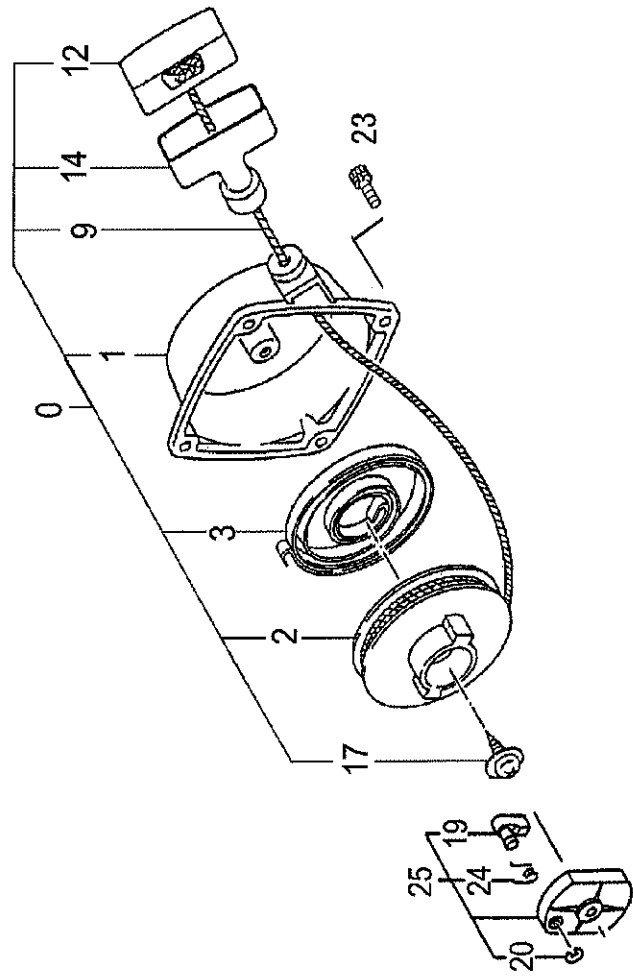
REF. NUMBER	PARTS NUMBER	DESCRIPTION	QTY	SERIAL NUMBER
031	668-988	INLET MANIFOLD GASKET	1	
032	668-995	CARB.INSULATOR SET, SPARE	1	
033	668-983	CARBURETOR GASKET	1	
034	669-043	COLLAR	1	
035	669-080	COLLAR	1	
036	669-009	CLEANER BODY COMP.	1	
037	669-125	CHOKE VALVE	1	
038	669-084	BLOW OVER CHECK BOARD	1	
039	669-035	CLEANER ELEMENT 6T	2	
040	668-465	WAVE WASHER 8	1	
041	669-080	COLLAR	1	
042	668-973	SPECIAL SCREW	1	
043	669-535	SCREW 5X57/S	2	
045	669-047	CARBURETOR SET WYJ389	1	
049	669-551	HEX. HOLE BOLT 5X25WS	2	
063	668-816	FUEL PIPE ASS'Y 3X5X180	1	
064	668-461	CLIP,6.3 DIA.	1	
065	669-227	PUMP FILTER BODY ASS'Y	1	
066	669-153	TANK	1	
068	668-462	COLLAR C	3	
070	669-171	TANK CAP D ASSY, ORANGE	1	
076	668-463	HEX.HOLE BOLT 5X20/PS	2	
077	669-478	ENGINE BED	1	
078	668-488	FUEL PIPE 3X5X80	1	
080	668-815	FUEL PIPE GROMMET	1	
086	668-462	TANK CAP CHAIN	1	
087	668-491	WASHER M5	1	
088	669-549	HEX. HOLE BOLT 5X22/S	1	

B38-04

CG40EY(T) ENGINE-2

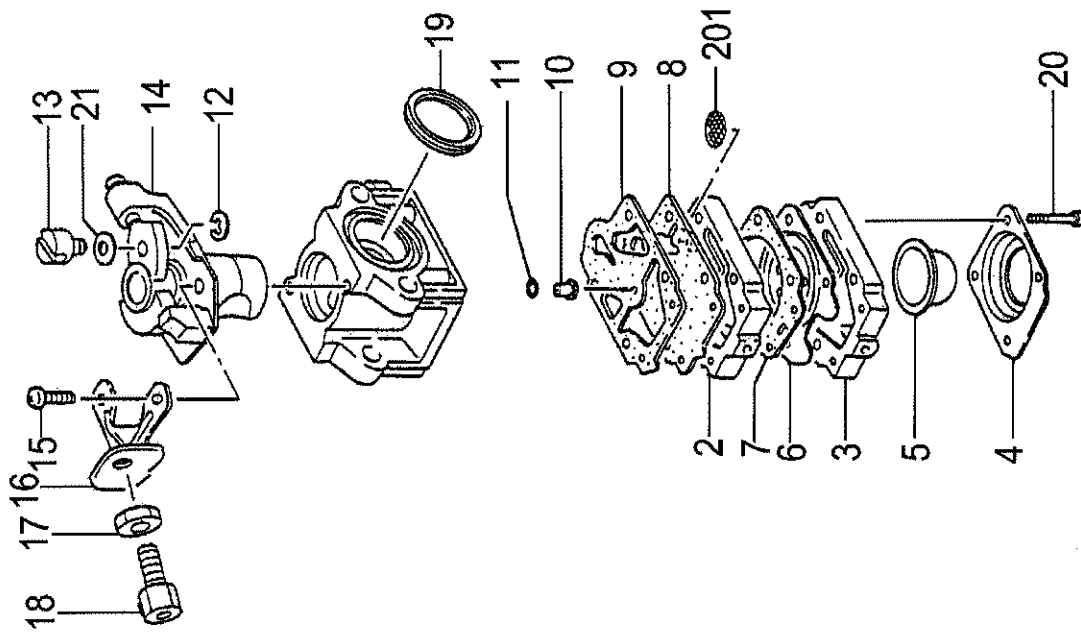


REF. NUMBER	PARTS NUMBER	DESCRIPTION	Q'TY	SERIAL NUMBER
001	669-278	MUFFLER PROTECTOR	1	
003	668-466	HEX. HOLE BOLT M5X12/S	1	
004	669-551	HEX. HOLE BOLT 5X15WS	1	
005	669-506	HEX. HOLE BOLT 6X65	2	
006	668-463	WASHER 6	2	
007	669-246	MUFFLER SET P/N	1	
008	668-491	WASHER M5	1	
014	669-274	MUFFLER GASKET	1	
016	668-724	HEAT SHIELD	1	
081	668-964	CLUTCH WASHER B	2	
082	668-861	CLUTCH ARM COMP.	2	
083	668-942	CLUTCH SPRING	1	
084	669-520	WAVE WASHER 10	2	
085	668-963	CLUTCH STEP BOLT	2	

B38-05**CG40EY(T) RECOIL STARTER**

REF. NUMBER	PARTS NUMBER	DESCRIPTION	Q'TY	SERIAL NUMBER
000	669-2974	RECOIL STARTER BODY ASSY	1	
001	669-3023	RECOIL STARTER BODY COMP.	1	
002	669-300	STARTER ROPE REEL	1	
003	669-3114	RECOIL SPRING	1	
009	669-3164	STARTER ROPE	1	
012	669-360	STARTER HANDLE CAP	1	
014	669-3234	STARTER HANDLE	1	
017	669-3634	SET SCREW	1	
019	669-3304	STARTER PAWL	1	
020	668-4684	STOP RING E-5	1	
023	668-4634	HEX.HOLE BOLT 5X20/PS	4	
024	669-3344	STARTER PAWL SPRING	1	
025	669-3394	STARTER PULLEY	1	

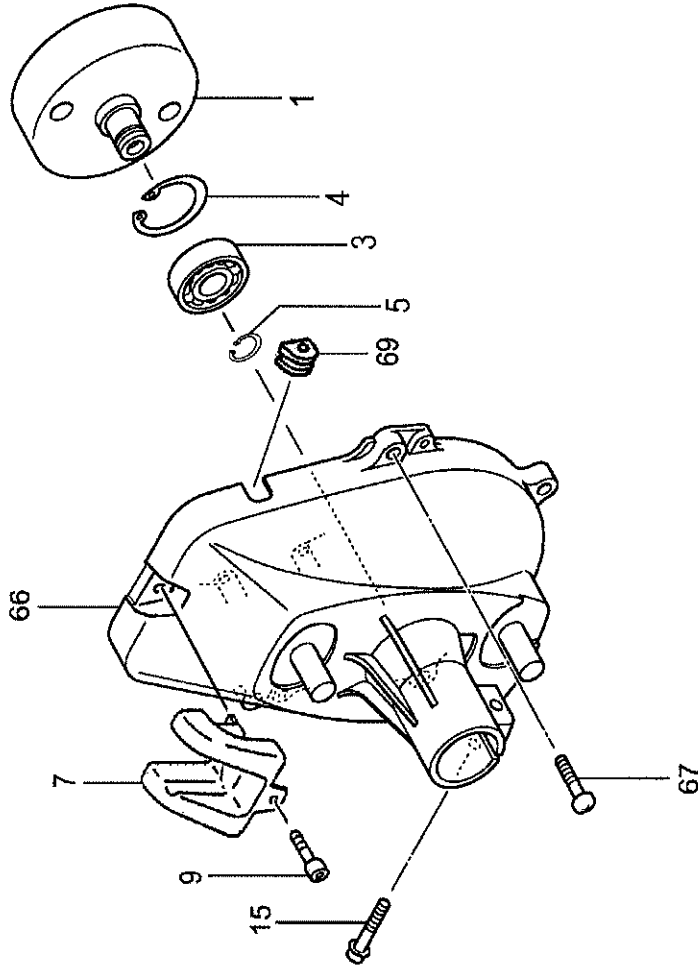
B38-06 CG40EY(T) CARBURETOR



REF. NUMBER	PARTS NUMBER	DESCRIPTION	Q'TY	SERIAL NUMBER
002	668-487	PUMP BODY COMP.	1	
003	668-468	PRIMING PUMP COMP.	1	
004	668-468	DIAPHRAGM COVER	1	
005	668-468	PRIMING BODY	1	
006	669-082	METERING DIAPHRAGM COMP. #	1	
007	668-469	DIAPHRAGM GASKET	1	
008	668-469	PUMP DIAPHRAGM	1	
009	669-145	PUMP GASKET	1	
010	669-638	MAIN JET #51	1	
011	668-469	O-RING	1	
012	668-469	STOP RING	1	
013	668-469	SWIVEL	1	
015	668-487	THROTTLE SET SCREW	2	
016	668-487	CABLE ADJUSTER STAY	1	
017	669-200	CABLE ADJUST NUT	1	
018	668-487	CABLE ADJUSTER	1	
019	668-487	CLEANER PACKING	1	
020	668-469	SET SCREW	4	
021	668-487	THRUST WASHER	1	
201	668-470	INLET SCREEN	1	

B38-07

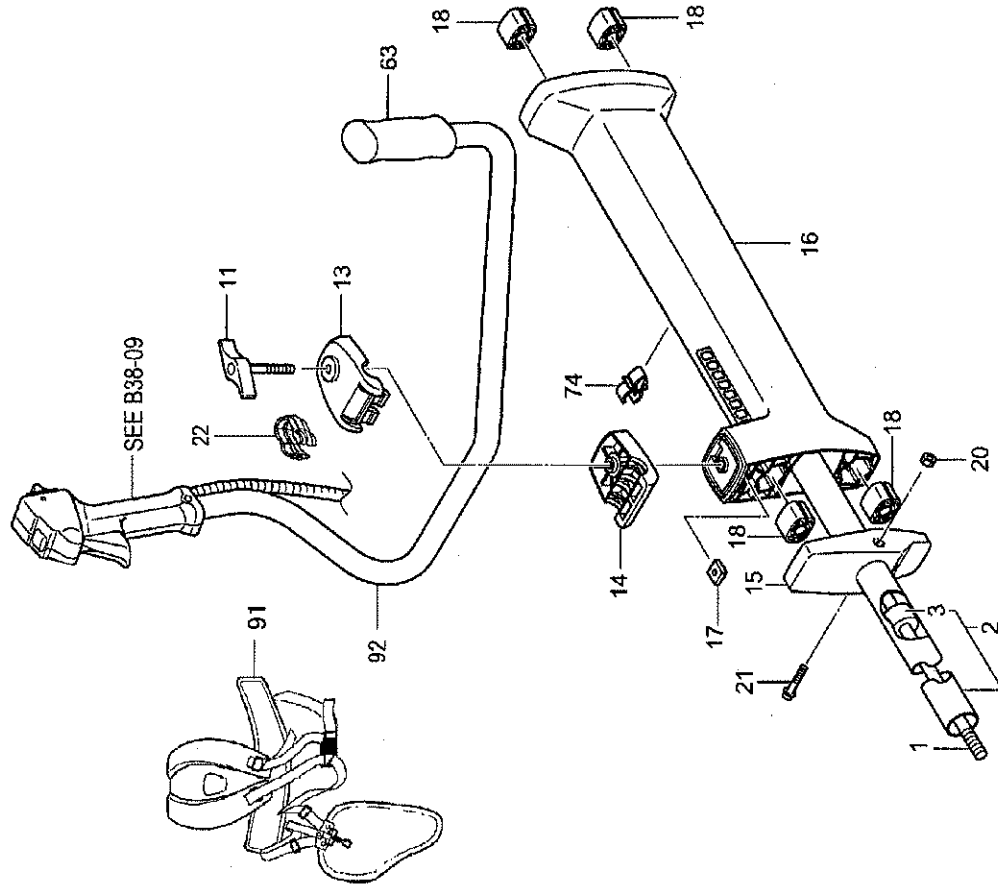
CG40EY(T) FAN CASE



REF. NUMBER	PARTS NUMBER	DESCRIPTION	Q'TY	SERIAL NUMBER
001	668-858	CLUTCH SHAFT COMP.	1	
003	669-555	BALL BEARING #620ZZ, 35MM/OD	1	
004	669-529	STOP RING C-35, INNER	1	
005	669-528	STOP RING C-15, OUTER	1	
007	668-834	SPARK PLUG COVER	1	
009	668-463	HEX.HOLE BOLT 5X20/PS	1	
015	669-509	HEX.HOLE BOLT 6X25	1	
066	668-698	FAN CASE	1	
067	668-466	HEX.HOLE BOLT M5X20/S	4	
069	668-805	PRIMARY CORD GROMMET	1	

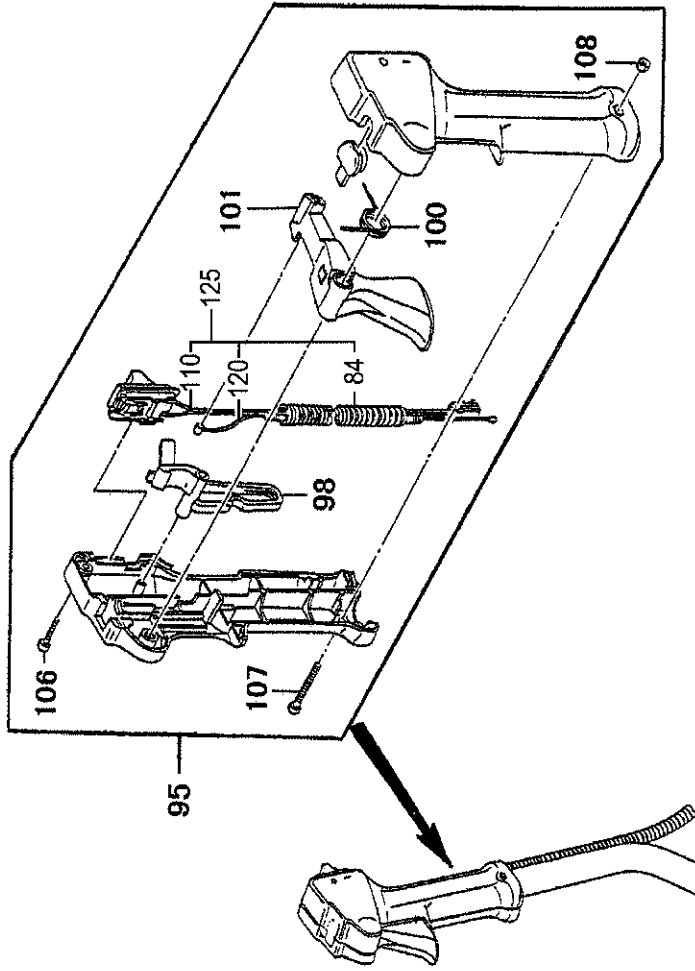
B38-08

CG40EY(T) OPERATION PIPE



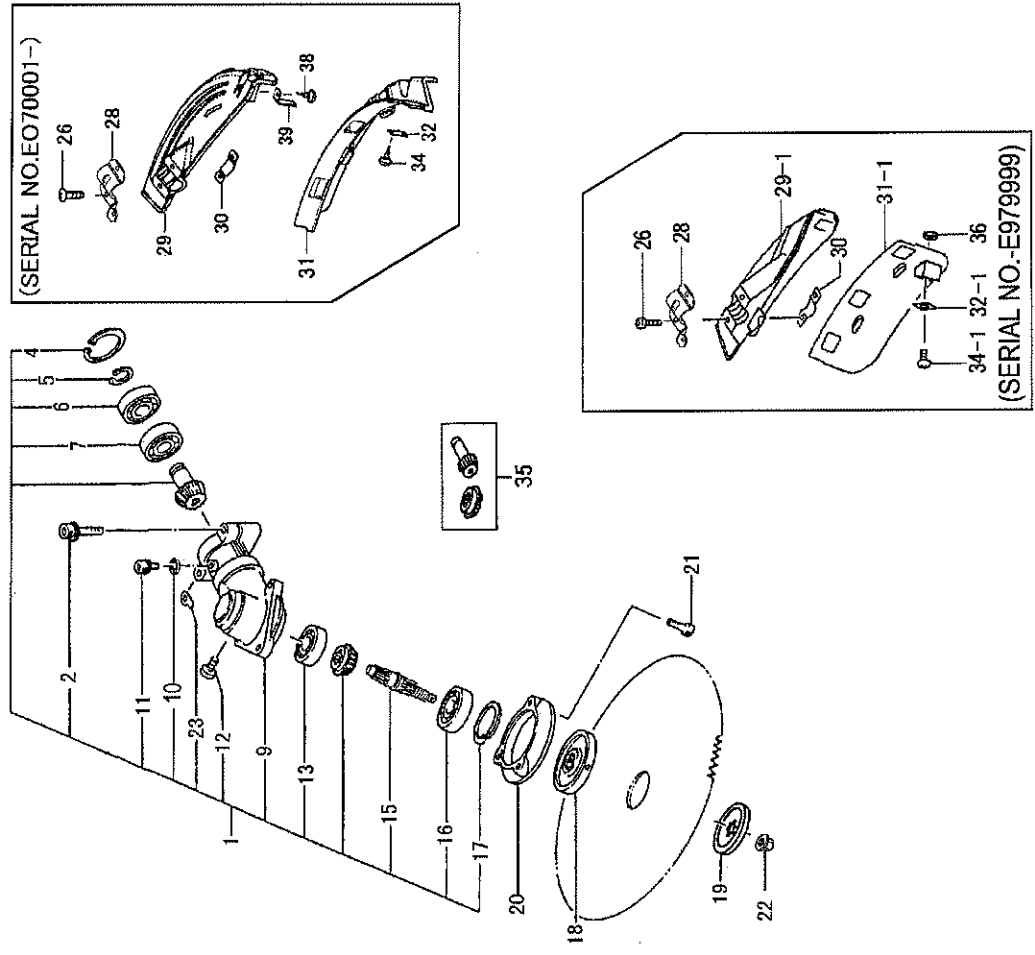
REF. NUMBER	PARTS NUMBER	DESCRIPTION	QTY	SERIAL NUMBER
001	668-9476	DRIVE SHAFT, 1552L	1	
002	668-9400	DRIVE SHAFT PIPE	1	
003	668-9511	BUSHING ASS'Y	5	
011	669-1201	KNOB BOLT	1	
013	669-1141	HANDLE BRACKET A	1	
014	669-1151	HANDLE BRACKET B	1	
015	669-1231	SUPPORT HOLDER	1	
016	669-1231	HANDLE SUPPORT COMP.	1	
017	668-9101	SPECIAL NUT M6X1.0	1	
018	668-9161	ANTI-VIBE RUBBER	4	
020	669-5171	NUT 6 UPS-P	1	
021	669-5091	HEX. HOLE BOLT 6X30	1	
022	668-8011	CORD CLAMP	1	
063	668-7621	HANDLE GRIP	1	
074	668-8021	CORD CLAMP	3	
091	669-2861	SHOULDER BELT ASSY, HANDLE	1	
092	669-1071	SHOULDER BELT ASSY, HANDLE	1	

B38-09 CG40EY(T) THROTTLE LEVER

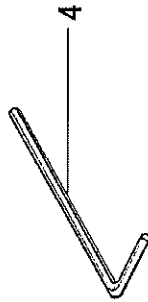
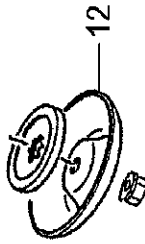
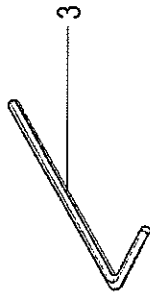
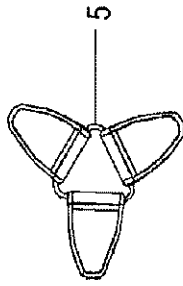
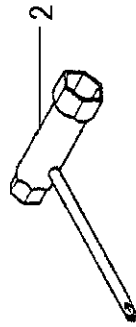


REF. NUMBER	PARTS NUMBER	DESCRIPTION	QTY	SERIAL NUMBER
084	668-754	PROTECTION TUBE, 930L	1	
095	669-376	THROTTLE LEVER ASSY 22	1	
098	668-472	SAFETY LEVER	1	
100	668-472	RETURN SPRING	1	
101	668-472	THROTTLE LEVER	1	
106	668-472	SCREW M4X20 (BLACK)	2	
107	668-472	SCREW 5X30 (BLACK)	1	
108	668-472	CONTAL NUT 5	1	
110	668-745	STOP SWITCH COMP.	1	
120	669-402	THROTTLE WIRE, 4T	1	
125	669-397	THROTTLE WIRE COMP.	1	

B38-10 CG40EY(T) GEAR CASE / GUARD



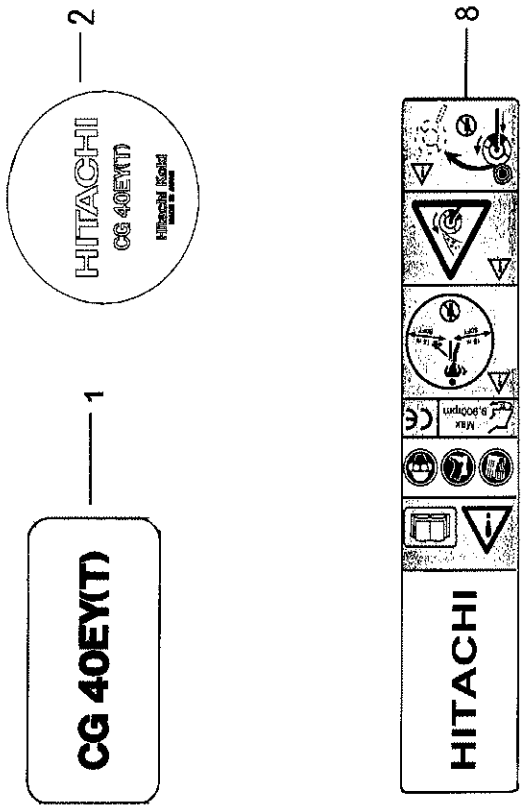
REF. NUMBER	PARTS NUMBER	DESCRIPTION	Q'TY	SERIAL NUMBER
001	668-880	GEAR CASE ASSY, 30 DIA	1	
002	668-470	HEX.HOLE BOLT M5X25/S	2	
004	668-474	STOP RING C-28,INNER	1	
005	668-466	STOP RING C-12 OUTER	1	
006	669-553	BALL BEARING #6001Z, 28MM/OD	1	
007	669-553	BALL BEARING 6001 C3	1	
009	668-870	GEARCASE, SILVER	1	
010	668-483	SPRING WASHER 5	1	
011	668-482	HEX. SOCKET HD. BOLT M5X12	1	
012	669-543	PLUS HEAD BOLT 8X10	1	
013	669-552	BALL BEARING #6000, 26MM/OD	1	
015	668-894	GEAR SHAFT 6X11X14	1	
016	669-556	BALL BEARING #6203D, 40MM/OD	1	
017	669-529	STOP RING C-40, INNER	1	
018	668-902	CUTTER HOLDER	1	
019	668-905	CUTTER HOLDER CAP,6X11X14	1	
020	668-898	PROTECTION COVER A COMP.	1	
021	669-541	SCREW 5X16/WS	3	
022	668-907	CUTTER FIXING NUT,L/H	1	
023	668-915	GEAR CASE WASHER	2	
026	668-471	HEX.HOLE BUTTON SCREW 6X25S	2	
028	669-031	COVER BRACKET 30	1	
029,1	669-023	BLADE GUARD 30 CE	1	E979999
029	669-026	BLADE GUARD 30 CE	1	EO70001 -
030	668-474	SAFETY COVER HOLDER	1	
031,1	669-037	COVER GUARD	1	E979999
031	669-037	BLADE GUARD	1	EO70001 -
032,1	669-338	KNIFE	1	E979999
032	668-475	KNIFE	1	EO70001 -
034,1	669-533	SCREW 5X12/S	1	E979999
034	668-475	TAPPING SCREW 4X14	1	EO70001 -
035	668-886	GEAR-PINION SET, SPARE	1	
036	668-496	NUT M5	1	E979999
038	668-475	TAPPING SCREW 5X20	1	EO70001 -
039	668-475	KNIFE	1	EO70001 -

B38-11**CG40EY(T) TOOLS**

REF. NUMBER	PARTS NUMBER	DESCRIPTION	Q'TY	SERIAL NUMBER
002	668-476	BOX WRENCH (HEX. SOCKET)	1	
003	669-352	HEX. WRENCH 5	1	
004	668-481	HEX. BAR WRENCH 4MM	1	
005	669-201	CUTTER COVER	1	
012	668-899	PROTECTION COVER B	1	
030	668-476	SAFETY GLASSES	1	

B38-12

CG40EY(T) LABELS



REF. NUMBER	PARTS NUMBER	DESCRIPTION	QTY	SERIAL NUMBER
001	669-4624	SYMBOL MARK CG40EY(T)	1	
002	669-415	NAME PLATE CG40EY(T)	1	
008	668-485	CAUTION MARK 9900RPM	1	