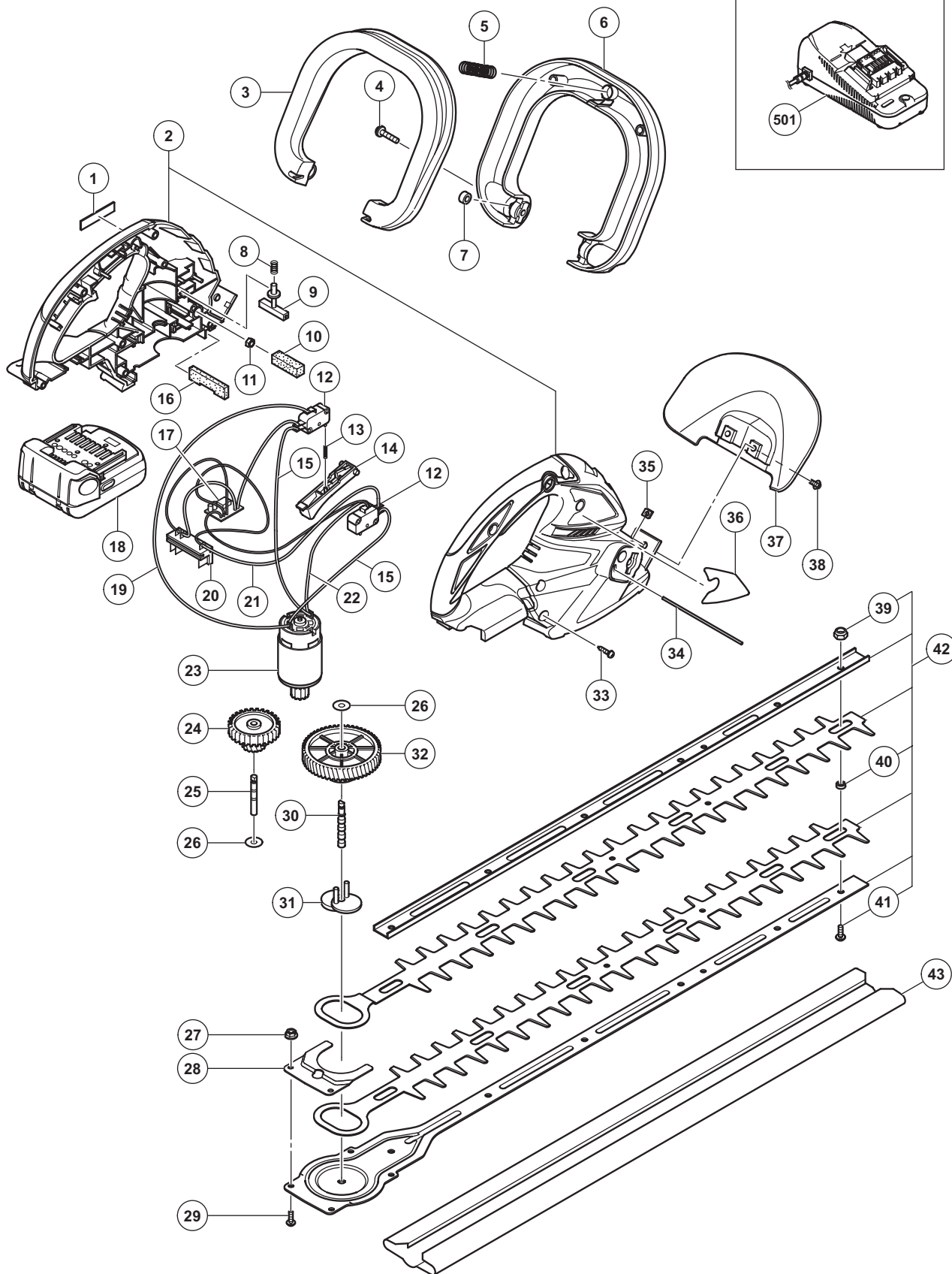


ELECTRIC TOOL PARTS LIST

CORDLESS HEDGE TRIMMER Model CH 14DSL

2011·1·27
(E1)



PARTS

CH 14DSL

ITEM NO.	CODE NO.	DESCRIPTION	NO. USED	REMARKS	
1	330-719	HITACHI LABEL	1		
2	333-330	HOUSING (A). (B) SET	1		
3	333-338	SUB HANDLE (A)	1		
4	880-561	MACHINE SCREW (W/WASHERS) M5 X 30	2		
5	333-341	SPRING (C)	1		
6	333-339	SUB HANDLE (B)	1		
7	333-340	COLLAR	2		
8	333-344	SPRING (D)	1		
9	333-343	PUSH PIN	1		
10	333-760	PACKING	2		
11	302-012	NUT M5 (BLACK)	2		
12	333-325	SWITCH	2		
13	324-307	SPRING (B)	1		
14	333-761	TRIGGER	1		
15	333-768	INTERNAL WIRE (BROWN)	2		
16	996-678	DUST FELT	1		
17	333-762	PRINTED CIRCUIT BOARD	1		
18	329-877	BATTERY BSL 1415 (EUROPE)	1		
19	333-769	INTERNAL WIRE (BLACK)	1		
20	331-399	BATTERY TERMINAL	1		
21	333-770	INTERNAL WIRE (RED) 380L	1		
22	323-166	INTERNAL WIRE (RED)	1		
23	333-322	MOTOR DC 14.4V	1		
24	333-334	FIRST GEAR	1		
25	329-832	SHAFT (B)	1		
26	329-835	WASHER D15	2		
27	996-683	FLANGE NUT M4	4		
28	325-624	SPACER	1		
29	696-997	MACHINE SCREW (W/SP. WASHER) M4 X 16(BLACK)	4		
30	333-335	SHAFT (C)	1		
31	333-780	CRANK CAM	1		
32	333-336	FINAL GEAR	1		
33	301-653	TAPPING SCREW (W/FLANGE) D4 X 20 (BLACK)	8		
34	333-342	SHAFT (D)	1		
35	330-056	NUT M4	2		
36		NAME PLATE	1		
37	330-879	PROTECTOR	1		
38	333-781	MACHINE SCREW (W/WASHER) M4 X 12 (BLACK)	2		
39	333-772	NYLON NUT M5	6		
40	333-775	DISTANCE PIECE	6		
41	333-773	MACHINE SCREW (W/SP. WASHER) M5 X 14	6		
42	333-776	BLADE ASS'Y	1	INCLUD. 39-41	
43	333-347	BLADE CASE	1		

