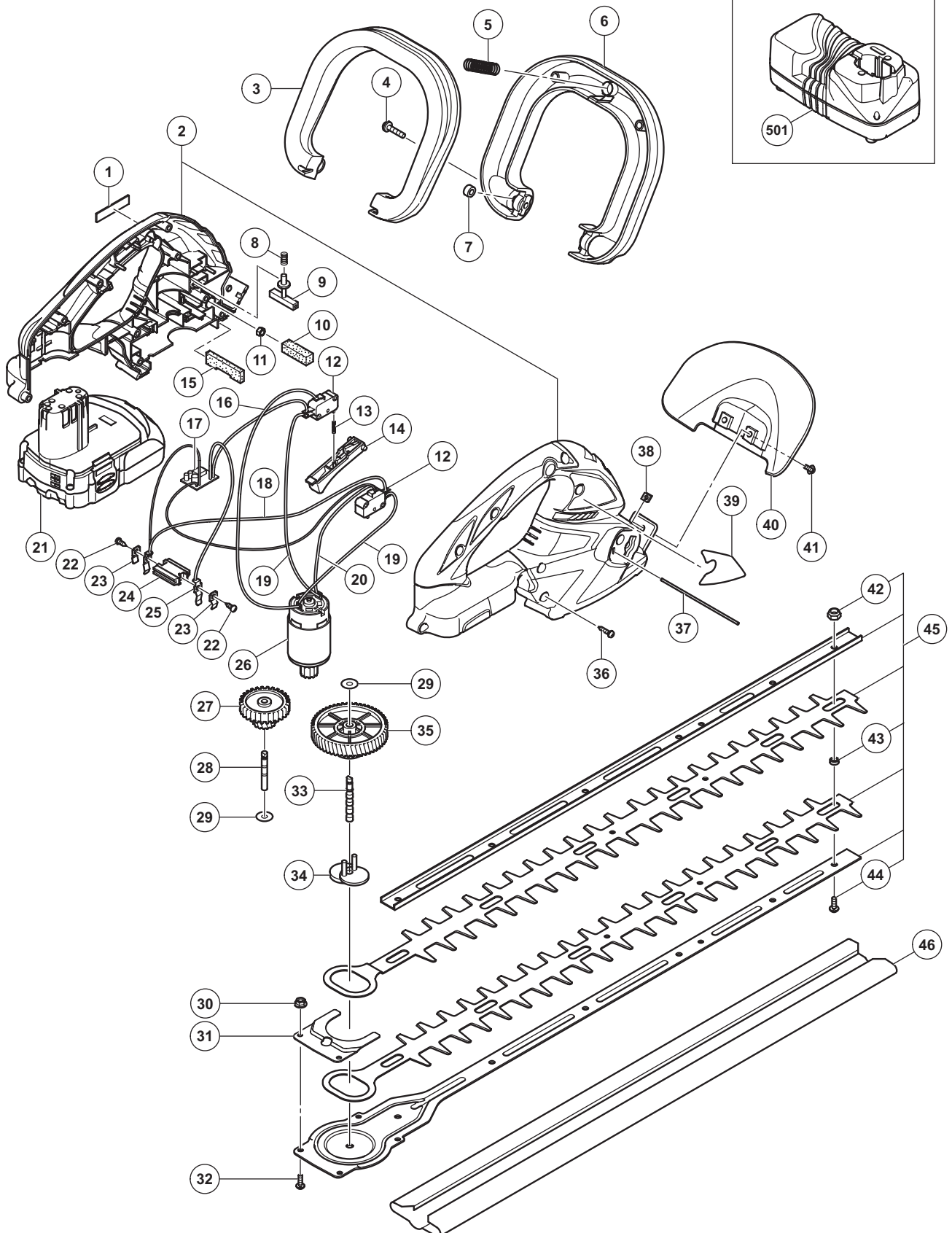


ELECTRIC TOOL PARTS LIST

■ CORDLESS HEDGE TRIMMER Model CH 18DL

2011·1·27
(E1)



PARTS

CH 18DL

ITEM NO.	CODE NO.	DESCRIPTION	NO. USED	REMARKS
1	330-719	HITACHI LABEL	1	
2	333-333	HOUSING (A). (B) SET	1	
3	333-338	SUB HANDLE (A)	1	
4	880-561	MACHINE SCREW (W/WASHERS) M5 X 30	2	
5	333-341	SPRING (C)	1	
6	333-339	SUB HANDLE (B)	1	
7	333-340	COLLAR	2	
8	333-344	SPRING (D)	1	
9	333-343	PUSH PIN	1	
10	333-760	PACKING	2	
11	302-012	NUT M5 (BLACK)	2	
12	333-325	SWITCH	2	
13	324-307	SPRING (B)	1	
14	333-761	TRIGGER	1	
15	996-678	DUST FELT	1	
16	333-769	INTERNAL WIRE (BLACK)	1	
17	333-763	PRINTED CIRCUIT BOARD	1	
18	333-327	TERMINAL (BROWN)	1	
19	333-768	INTERNAL WIRE (BROWN)	2	
20	323-166	INTERNAL WIRE (RED)	1	
21	327-731	BATTERY BCL 1815 (EUROPE, AUS, NZL)	1	
22	958-715	TAPPING SCREW D4 X 10	2	
23	996-118	HOLDER SPRING	2	
24	320-997	TERMINAL PIECE	1	
25	327-155	TERMINAL	1	
26	333-323	MOTOR DC 18V	1	
27	333-334	FIRST GEAR	1	
28	329-832	SHAFT (B)	1	
29	329-835	WASHER D15	2	
30	996-683	FLANGE NUT M4	4	
31	325-624	SPACER	1	
32	696-997	MACHINE SCREW (W/SP. WASHER) M4 X 16(BLACK)	4	
33	333-335	SHAFT (C)	1	
34	333-780	CRANK CAM	1	
35	333-336	FINAL GEAR	1	
36	301-653	TAPPING SCREW (W/FLANGE) D4 X 20 (BLACK)	9	
37	333-342	SHAFT (D)	1	
38	330-056	NUT M4	2	
39		NAME PLATE	1	
40	330-879	PROTECTOR	1	
41	333-781	MACHINE SCREW (W/WASHER) M4 X 12 (BLACK)	2	
42	333-772	NYLON NUT M5	6	
43	333-775	DISTANCE PIECE	6	
44	333-773	MACHINE SCREW (W/SP. WASHER) M5 X 14	6	
45	333-776	BLADE ASS'Y	1	INCLUD. 42-44
46	333-347	BLADE CASE	1	

ITEM NO.	CODE NO.	DESCRIPTION	NO. USED	REMARKS	