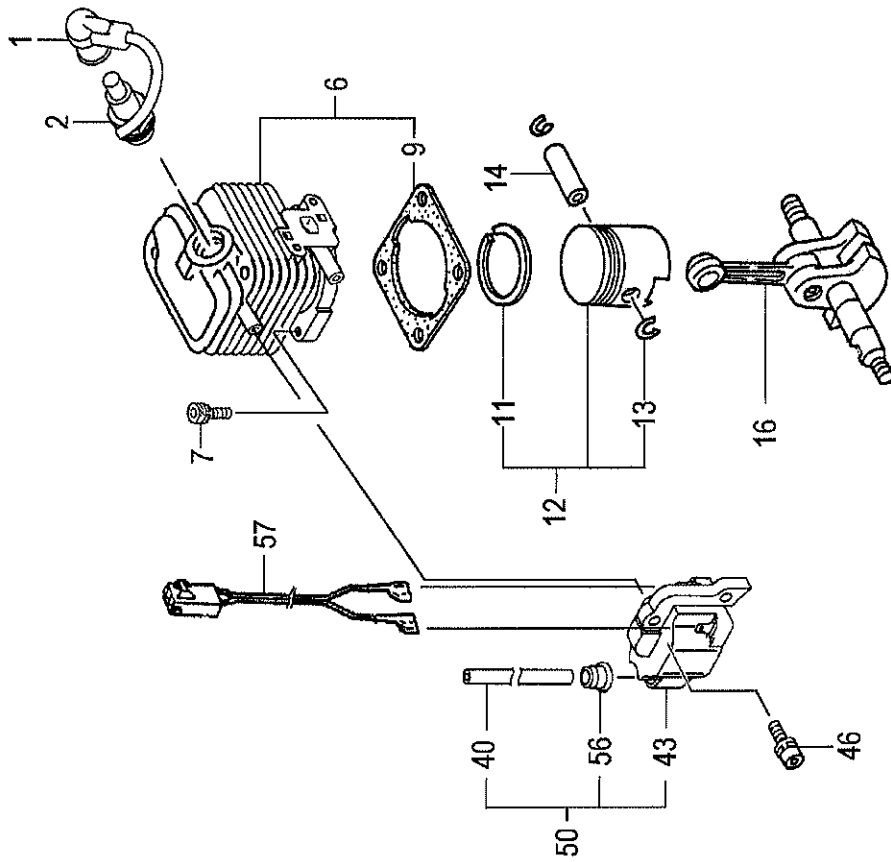


H36

CH55EPA(S)

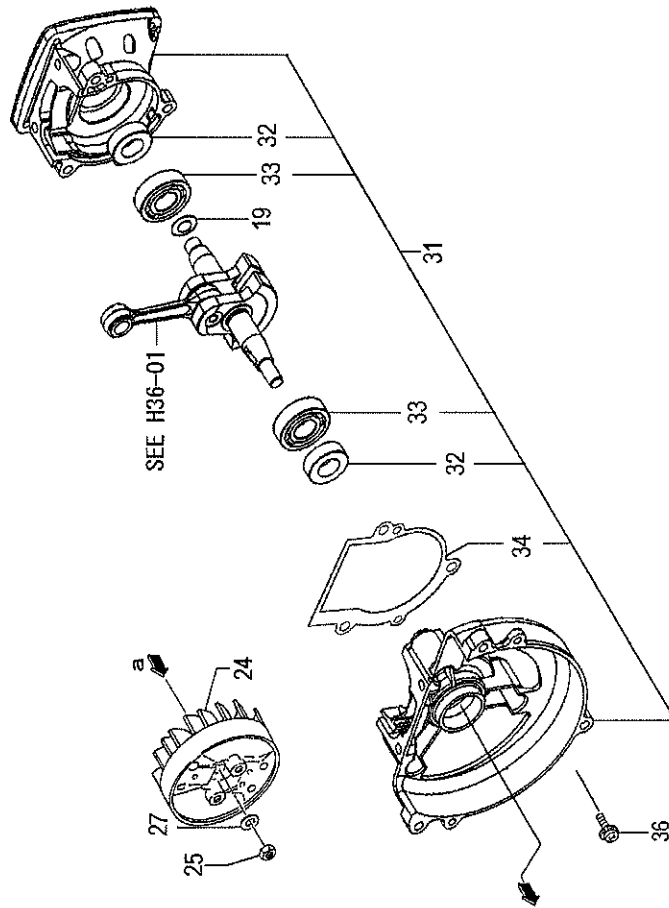
Serial No. :

H36-01 CH55EPA(S) CYLINDER/PISTON/CRANK SHAFT



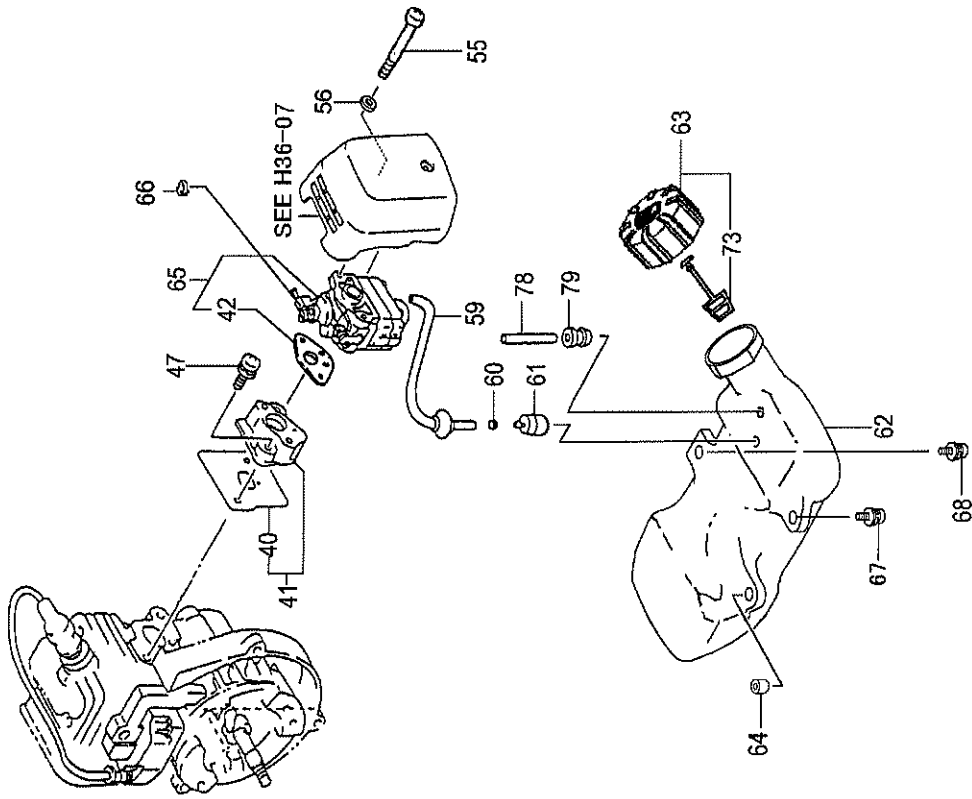
REF. NUMBER	PARTS NUMBER	DESCRIPTION	Q'TY	SERIAL NUMBER
001	668-746	SPARK PLUG CAP ASSY	1	
002	668-576	SPARK PLUG, RCJ8Y	1	
006	668-548	CYLINDER SET	1	
007	668-458	HEX.HOLE BOLT M5X18/S	2	
009	668-570	CYLINDER GASKET	1	
011	668-611	PISTON RING	1	
012	668-586	PISTON SET	1	
013	668-459	PISTON PIN CIRCLIP	2	
014	668-601	PISTON PIN	1	
016	668-621	CRANK SHAFT COMP.	1	
040	668-788	HIGH TENSION CORD 140L	1	
043	668-459	IGNITION COIL COMP.	1	
046	668-468	HEX.HOLE BOLT 4X15/PS	2	
050	668-766	IGNITION COIL ASSY	1	
056	668-460	RUBBER CAP	1	
057	668-797	REED WIRE ASSY	1	

H36-02 CH55EPA(S) CRANK CASE



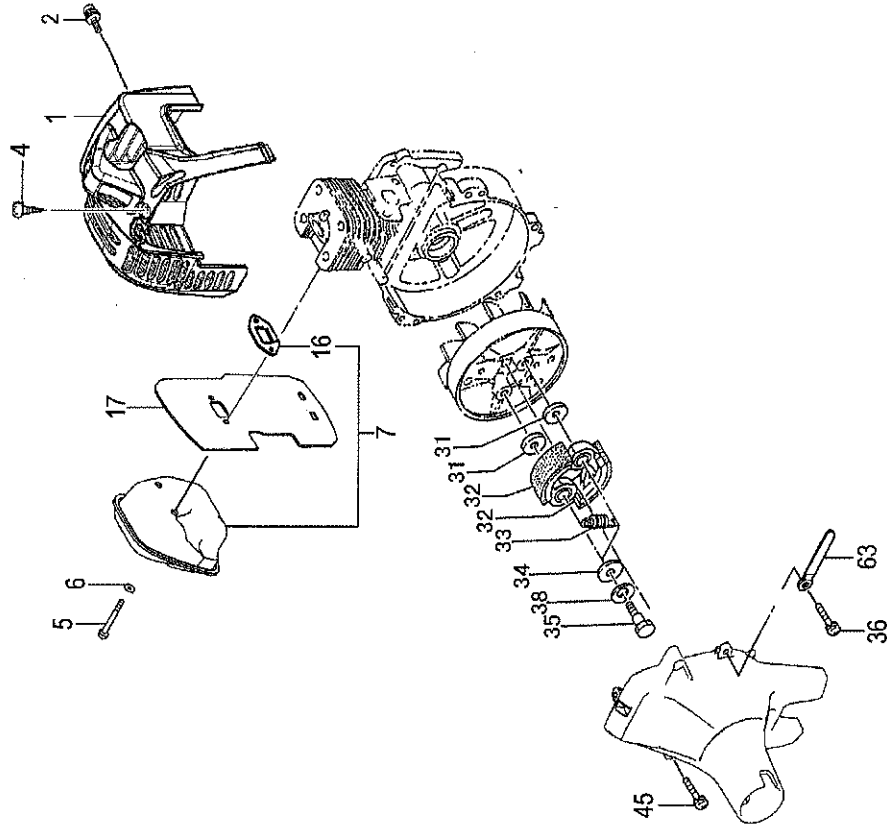
REF. NUMBER	PARTS NUMBER	DESCRIPTION	Q'TY	SERIAL NUMBER
019	668-4604	GEAR SHAFT SHIM 0.20	V	
019	668-4604	GEAR SHAFT SHIM 0.30	V	
024	668-737	MAGNETO ROTOR COMP.	1	
025	668-4611	HEX.NUT M8	1	
027	668-4611	WASHER M8	1	
031	668-6584	CRANK CASE ASS'Y	1	
032	668-4604	OIL SEAL TB 12227	2	
033	669-5534	BALL BEARING 6001 C3	2	
034	668-6714	CRANK CASE GASKET	1	
036	668-4584	HEX.HOLE BOLT M5X18/S	3	

H36-03 CH55EPA(S) ENGINE-1



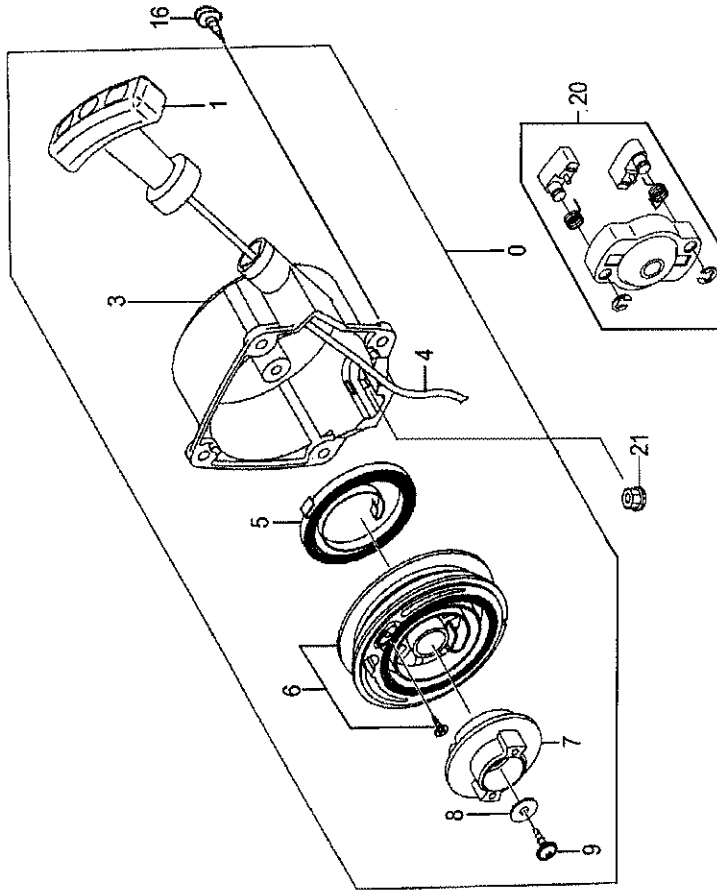
REF. NUMBER	PARTS NUMBER	DESCRIPTION	QTY	SERIAL NUMBER
040	668-989	INLET MANIFOLD GASKET	1	
041	668-991	CARB INSULATOR SET	1	
042	668-461	CARBURETOR GASKET	1	
047	669-551	HEX.HOLE BOLT 5X22/WS	2	
055	669-535	SCREW 5X60/S	2	
056	668-466	WASHER 5	2	
059	668-817	SHEILD TUBE	1	
060	668-461	CLIP,6.3 DIA.	1	
061	668-462	PUMP FILTER BODY COMP	1	
062	669-159	TANK, OR	1	
063	668-504	TANK CAP ASS'Y	1	
064	669-224	COLLAR 5.8	3	
065	669-051	CARBURETOR SET WYL182	1	
066	668-462	SWIVEL CAP	1	
067	669-550	HEX.HOLE BOLT 5X16/PS	2	
068	669-551	SCREW 5X20WS	1	
073	668-462	TANK CAP CHAIN	1	
078	668-488	FUEL PIPE 3X5X80	1	
079	668-462	RETURN GROMMET	1	

H36-04 CH55EPA(S) ENGINE-2



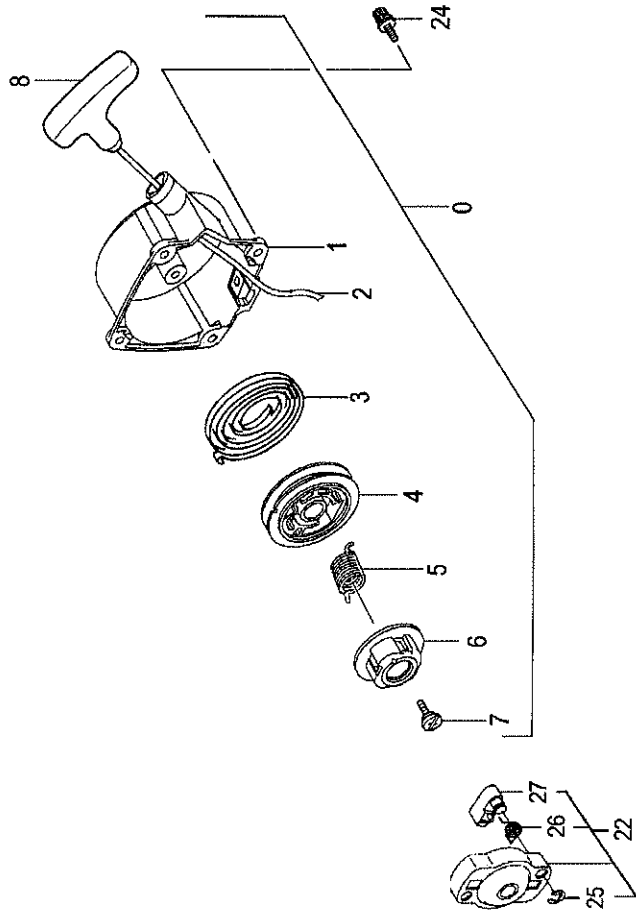
REF. NUMBER	PARTS NUMBER	DESCRIPTION	QTY	SERIAL NUMBER
001	669-280	MUFFLER PROTECTOR BLA	1	
002	669-537	SCREW 4X15PS	1	
004	668-463	TAPPING SCREW D4.5X12	1	
005	668-511	HEX. SOCKET HD. BOLT M5	2	
006	668-491	WASHER M5	2	
007	669-248	MUFFLER SET	1	
016	669-274	MUFFLER GASKET	1	
017	668-725	HEAT SHIELD	1	
031	668-464	CLUTCH WASHER B	2	
032	668-861	CLUTCH SHOE COMP., T-16	2	
033	668-943	CLUTCH SPRING	1	
034	668-464	CLUTCH PLATE A 0.5	2	
035	668-962	STEP BOLT	2	
036	668-464	HEX.HOLE BOLT M5X18/WS	2	
038	668-464	BENT WASHER 8	2	
045	668-497	HEX.HOLE BOLT M5X30/WS	1	
063	668-801	CORD CLAMP COMP.	1	

H36-05 CH55EPA(S) RECOIL STARTER(SERIAL NO.-EN799999)



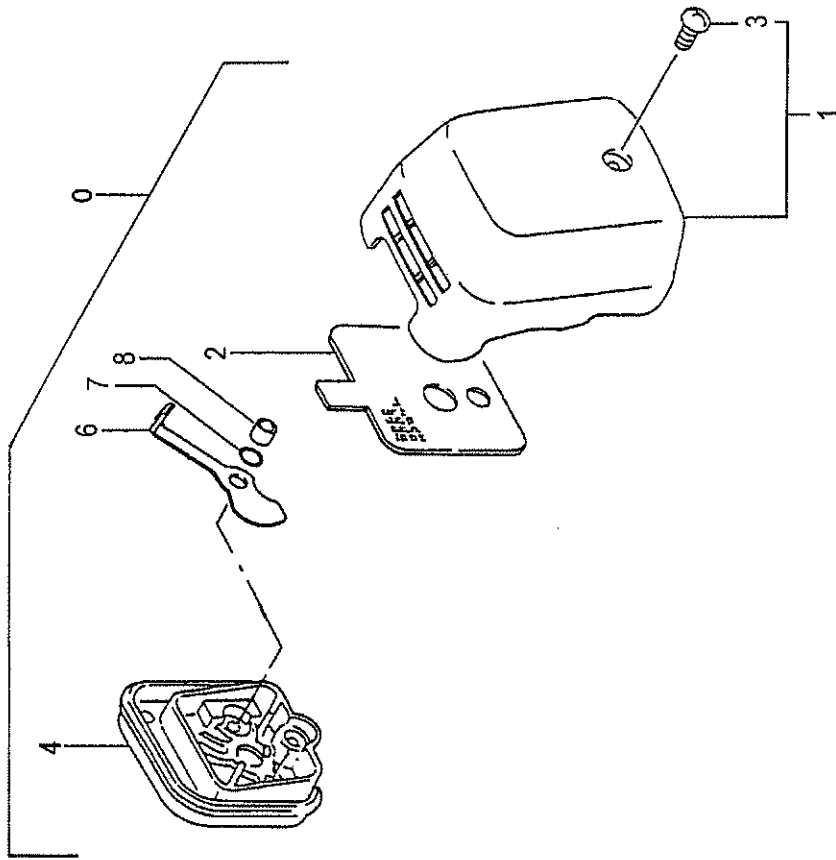
REF. NUMBER	PARTS NUMBER	DESCRIPTION	Q'TY	SERIAL NUMBER
000	669-298	RECOIL STARTER BODY ASSY	1	
001	669-324	STARTER HANDLE	1	
003	669-303	RECOIL STARTER BODY CO	1	
004	669-317	ROPE 2.6X830	1	
005	669-313	RECOIL SPRING	1	
006	669-310	SPRING CASE ASS'Y	1	
007	669-308	STARTER ROPE REEL	1	
008	668-794	SPECIAL WASHER 5.2X15	1	
009	668-527	TAPPING SCREW D5X14	1	
016	669-550	HEX. HOLE BOLT 4X18WS	4	
020	668-468	STARTER PULLEY ASSY	1	
021	669-516	FLUNGE NUT 5	1	

H36-06 CH55EPA(S) RECOIL STARTER(SERIAL NO.ED70001-)



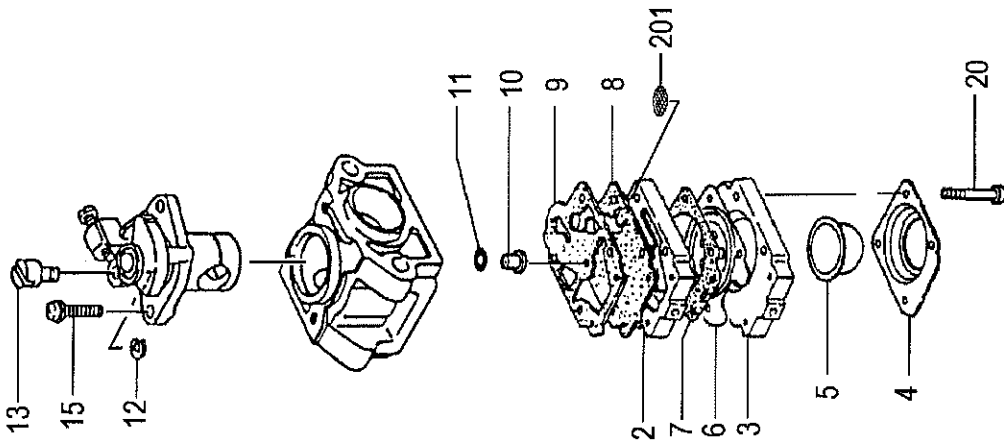
REF. NUMBER	PARTS NUMBER	DESCRIPTION	Q'TY	SERIAL NUMBER
000	668-4672	RECOIL STARTER BODY ASSY	1	
001	668-4673	RECOIL STARTER BODY COMP	1	
002	668-4674	STARTER ROPE 3.5X860	1	
003	668-4675	RECOIL SPRING	1	
004	668-4676	STARTER ROPE REEL	1	
005	668-4677	DUMPER SPRING	1	
006	668-4678	CAM PLATE	1	
007	668-4679	SET SCREW	1	
008	668-4680	STARTER HANDLE	1	
022	668-4681	STARTER PULLEY ASSY	1	
024	669-5501	HEX. HOLE BOLT 4X18WS	4	
025	668-4682	STOP RING E-5	2	
026	668-4683	STARTER PAWL SPRING	2	
027	668-4684	STARTER PAWL	2	

H36-07 CH55EPA(S) AIR CLEANER



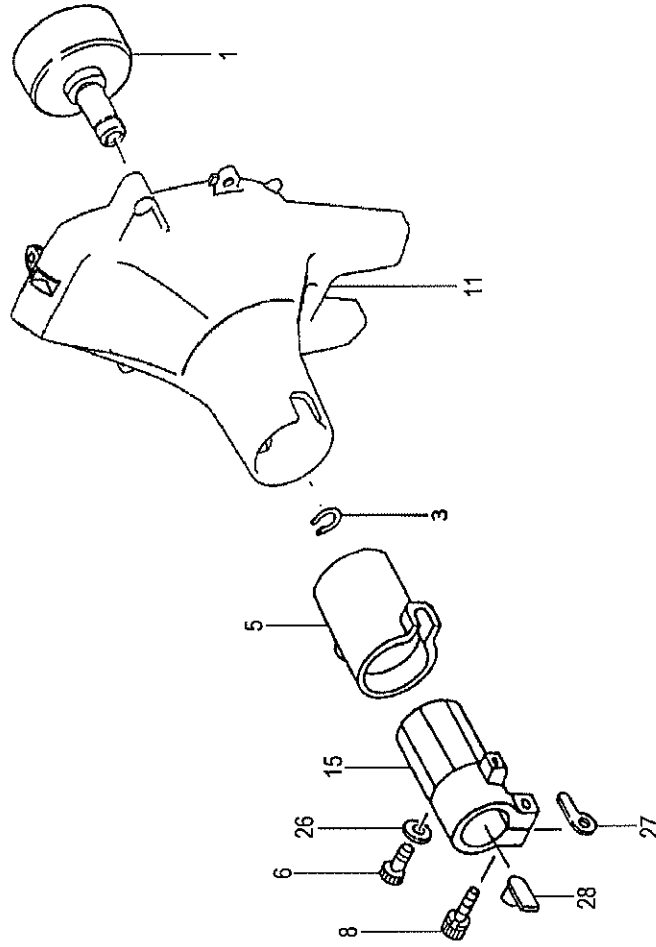
REF. NUMBER	PARTS NUMBER	DESCRIPTION	Q'TY	SERIAL NUMBER
000	669-004	CLEANER ASSY	1	
001	669-039	CLEANER COVER SET	1	
002	668-465	AIR CLEANER ELEMENT	1	
003	668-973	SPECIAL SCREW	1	
004	668-465	CLEANER BODY COMP.	1	
006	669-609	CHOKE VALVE COMP.	1	
007	668-465	WAVE WASHER 8	1	
008	668-465	COLLAR 8	1	

CH55EPA(S) CARBURETOR



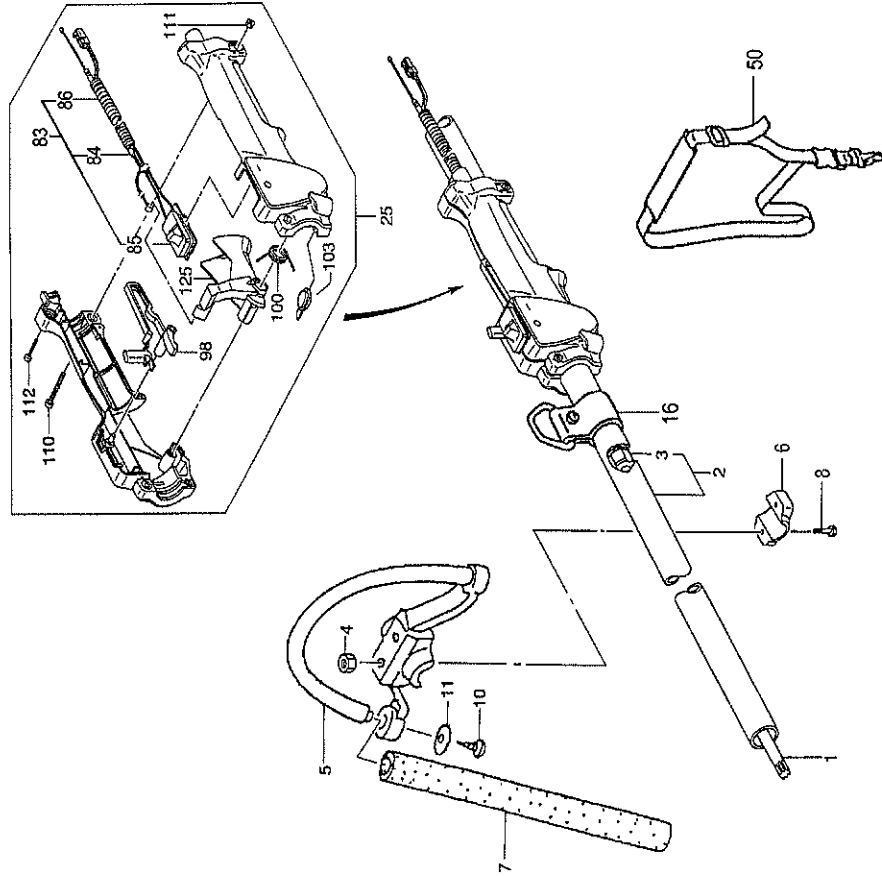
REF. NUMBER	PARTS NUMBER	DESCRIPTION	Q'TY	SERIAL NUMBER
002	668-487	PUMP BODY COMP.	1	
003	668-468	PRIMING PUMP COMP.	1	
004	668-468	DIAPHRAGM COVER	1	
005	668-468	PRIMING BODY	1	
006	669-083	METERING DIAPHRAGM CO	1	
007	668-469	DIAPHRAGM GASKET	1	
008	668-469	PUMP DIAPHRAGM	1	
009	669-145	PUMP GASKET	1	
010	669-184	MAIN JET #38	1	
011	668-469	O-RING	1	
012	668-469	STOP RING	1	
013	668-469	SWIVEL	1	
015	668-469	THROTTLE SET SCREW	2	
020	668-469	SET SCREW	4	
201	668-470	INLET SCREEN	1	

H36-09 CH55EPA(S) FAN CASE



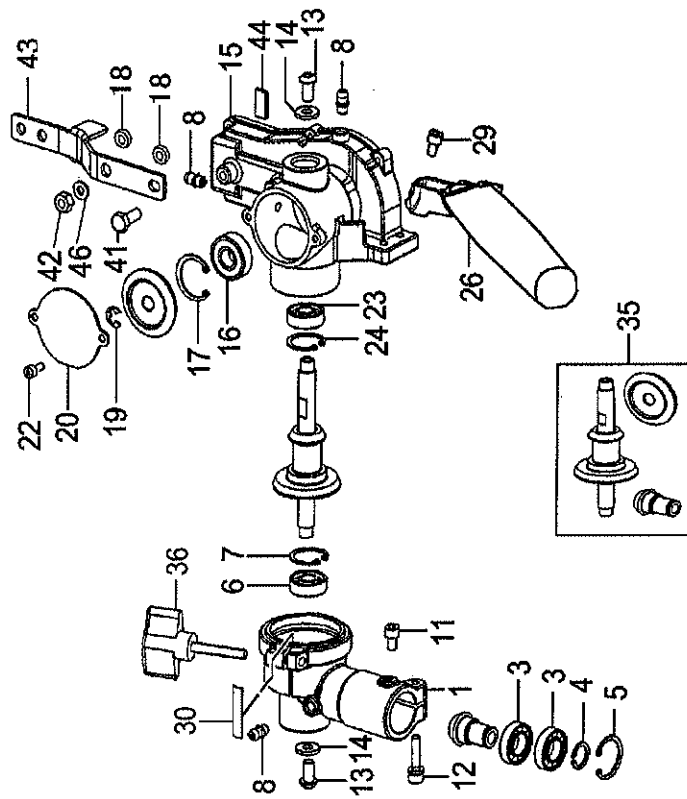
REF. NUMBER	PARTS NUMBER	DESCRIPTION	QTY	SERIAL NUMBER
001	668-8599	CLUTCH SHAFT COMP.	1	
003	668-4664	STOP RING C-12 OUTER	1	
005	669-1839	ANTI-VIBE RUBBER	1	
006	669-5046	HEX. HOLE BOLT 5X16	1	
008	668-4709	HEX.HOLE BOLT M5X25/S	1	
011	668-7029	FAN CASE, OR	1	
015	668-9651	PIPE HOLDER, TPE	1	
026	668-4918	WASHER M5	1	
027	668-9159	GEAR CASE WASHER	1	
028	668-9664	METAL FITTING	1	

H36-10 CH55EPA(S) OPERATION PIPE



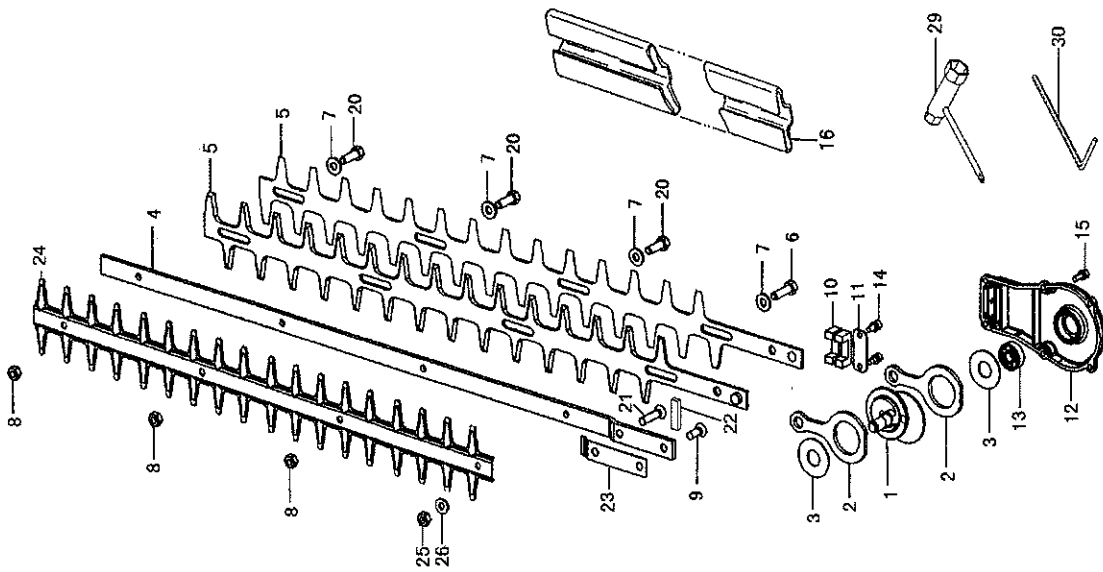
REF. NUMBER	PARTS NUMBER	DESCRIPTION	Q'TY	SERIAL NUMBER
001	668-9440	DRIVE SHAFT, 978L	1	
002	668-9304	DRIVE SHAFT 945□	1	
003	668-4831	BUSH ASS'Y	3	
004	668-4835	HEX.NUT 6	2	
005	669-1046	LOOP HANDLE, 24 DIA., BLA	1	
006	669-1134	HANDLE BRACKET A	1	
007	669-1098	HANDLE GRIP	1	
008	668-4838	BOLT 6X43/P (BLACK)	2	
010	669-5255	TAPPING SCREW 5X20	1	
011	668-9681	BRAKE SHAFT WASHER	1	
016	668-9277	LIFTING METAL ASS'Y	1	
025	669-3769	THROTTLE LEVER ASS'Y	1	
050	669-2867	SHOULDER BELT ASS'Y	1	
083	669-3982	THROTTLE WIRE COMP.	1	
084	669-4025	THROTTLE WIRE 4T	1	
085	668-7452	STOP BUTTON COMP.	1	
086	668-7523	PROTECTION TUBE 7X145L	1	
098	668-4721	SAFETY LEVER	1	
100	668-4722	RETURN SPRING	1	
103	668-4724	BLIND PLUG	1	
110	668-4803	SCREW M5X20	2	
111	668-4727	CON TAL NUT 5	2	
112	668-4725	SCREW M4X20 (BLACK)	4	
125	668-4804	THROTTLE LEVER	1	

CH55EPA(S) GEAR CASE

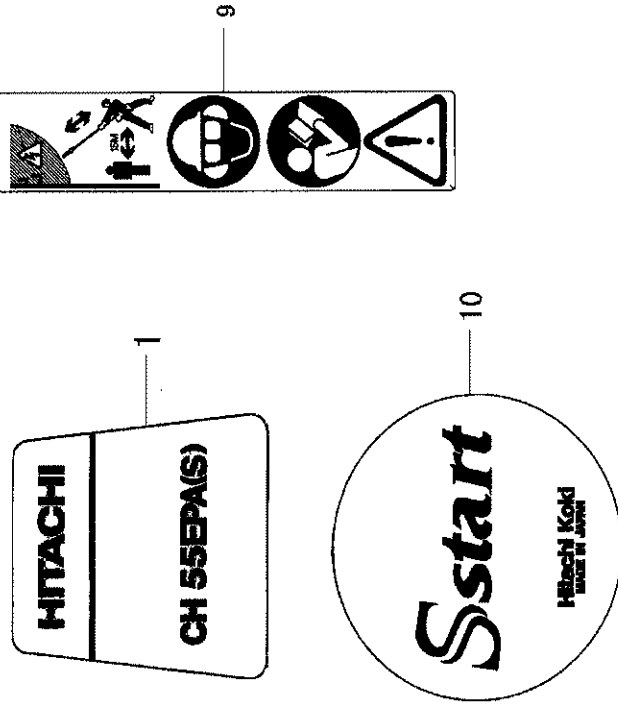


REF. NUMBER	PARTS NUMBER	DESCRIPTION	QTY	SERIAL NUMBER
001	668-8653	GEAR CASE A, 24 DIA	1	
003	669-5582	BALL BEARING 6901ZZ, 24MM/OD	2	
004	669-5302	STOP RING S-12, OUTER	1	
005	668-4732	STOP RING C-24, INNER	1	
006	669-5547	BALL BEARING 608 ZZ C3	1	
007	669-5293	STOP RING C-22, INNER	1	
008	668-8643	GREASE NIPPLE COMP.	3	
011	669-5042	HEX. HOLE BOLT 5X10	1	
012	668-4709	HEX. HOLE BOLT M5X25/S	1	
013	669-5078	HEX. HOLE BOLT 6X12	2	
014	668-4822	SPECIAL WASHER B	2	
015	668-8834	GEAR CASE B	1	
016	669-5529	BALL BEARING #6000 2RS C3	1	
017	669-5294	STOP RING C-26, INNER	1	
018	668-4822	SPECIAL WASHER B	2	
019	669-5310	STOP RING E-6	1	
020	668-9167	GEAR CASE COVER A	1	
022	669-5035	HEX HOLE BOLT 4X8	2	
023	669-5547	BALL BEARING 608 ZZ C3	1	
024	669-5293	STOP RING C-22, INNER	1	
026	668-8089	HANDLE	1	
029	669-5079	HEX HOLE BUTTON SCREW 6X1	2	
030	668-6669	GREASE SEALED	1	
035	668-8892	GEAR SET PN	1	
036	669-1200	HANDLE KNOB A COMP.	1	
041	669-5016	PLUS BOLT 6X14	1	
042	669-5175	NUT 6 UPS-P	1	
043	669-0744	SUPPORT PLATE	1	
044	668-6659	GREASE SEAL B	1	
046	668-4639	WASHER 6	2	

H36-12 CH55EPA(S) BLADE



REF. NUMBER	PARTS NUMBER	DESCRIPTION	Q'TY	SERIAL NUMBER
001	668-6790	CAM SHAFT COMP.	1	
002	668-6809	CAM ROD	2	
003	668-6611	CAM-ROD GUIDE PLATE	2	
004	668-7125	CUTTER GUIDE 625.5MM	1	
005	668-7079	CUTTER	1	
006	668-7158	FIXING BOLT A M6	1	
007	668-7187	WASHER 7 BLACK	4	
008	669-5170	FLANGE NUT 6	3	
009	669-5073	HEX HOLE FLUSH SCREW	1	
010	668-6647	GREASE SEAL A	2	
011	668-6826	CAM-ROD HOLDING PLATE	1	
012	668-9173	GEAR CASE COVER B	1	
013	669-5547	BALL BEARING 608 ZZ C3	1	
014	669-5484	HEX. HOLE BOLT 4X10S	2	
015	668-4595	HEX.HOLE BOLT M4X12/S	6	
016	668-7301	CUTTER COVER	1	
020	668-7162	CUTTER FIXING BOLT B	3	
021	669-5075	HEX. HOLE FLUSH BOLT 6X	1	
022	668-6666	GREASE SEAL B	1	
023	668-8633	SPACER	1	
024	668-7281	PROTECTION PLATE	1	
025	669-5175	NUT 6 UPS-P	1	
026	668-4639	WASHER 6	1	
029	668-5997	COMBI. BOX SPANNER 10X	1	
030	668-4813	HEX. BAR WRENCH 4MM	1	

H36-13**CH55EPA(S) LABELS**

REF. NUMBER	PARTS NUMBER	DESCRIPTION	Q'TY	SERIAL NUMBER
001	669-4746	SYMBOL MARK CH55EPA(S)	1	
009	669-4416	CUATION MARK	1	
010	669-4474	STARTER MARK S.START	1	