

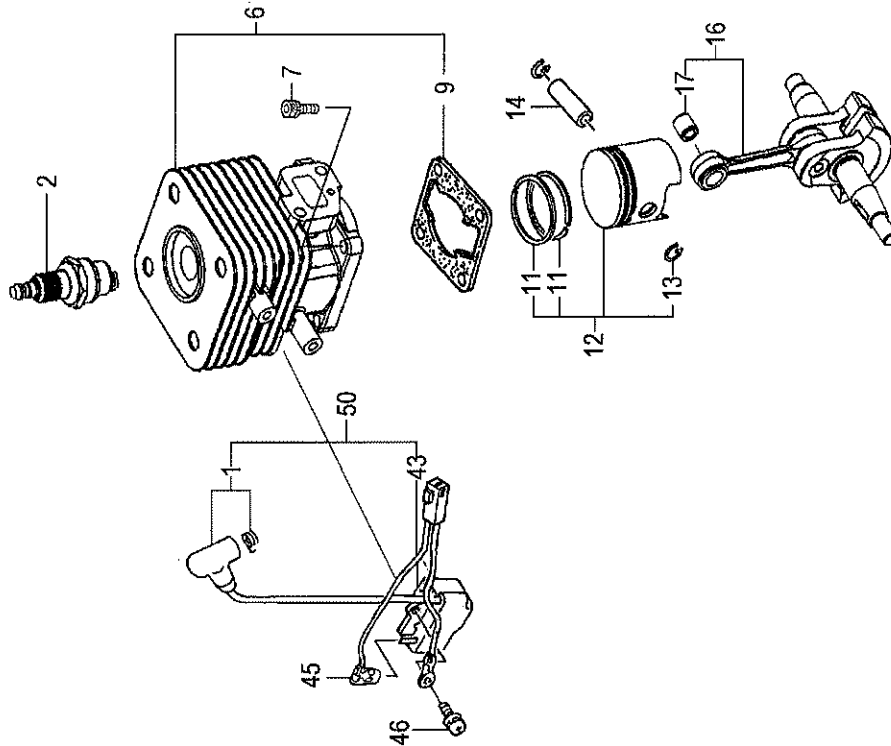
H49

CH55EPC(S)

Serial No.

H49-01

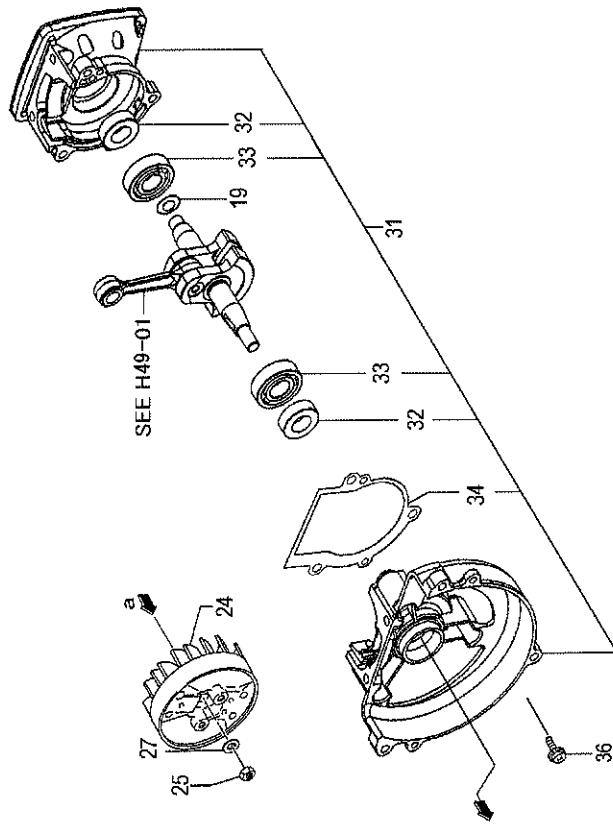
CH55EPC(S) CLYNDER/PISTON/CRANK SHAFT



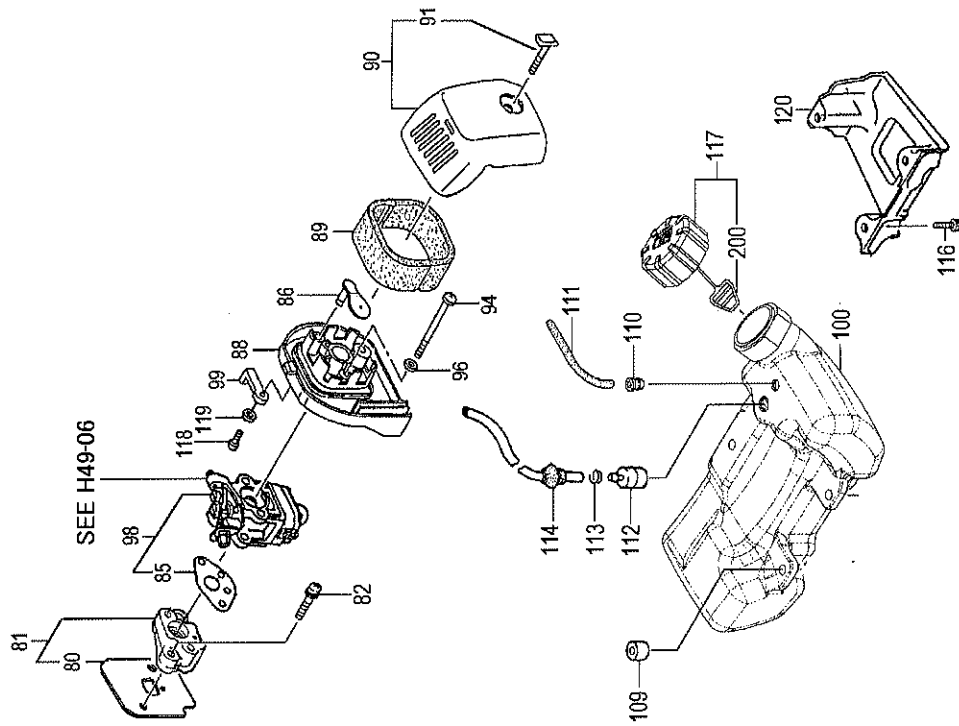
REF. NUMBER	PARTS NUMBER	DESCRIPTION	QTY	SERIAL NUMBER
001	668-7468	PLUG CAP ASSY	1	
002	668-5768	SPARK PLUG, RCJ8Y	1	
006	668-5493	CYLINDER SET	1	
007	669-6386	HEX.HOLE BOLT M5X18/S	4	
009	668-5750	CYLINDER GASKET T=1.0	1	
011	668-6121	PISTON RING	2	
012	668-5902	PISTON SET	1	
013	668-6025	PISTON PIN CIRCLIP	2	
014	668-6016	PISTON PIN	1	
016	668-6219	CRANK SHAFT COMP.	1	
017	986-6662	NEEDLE BRG F-810 1.4X8.5	1	
043	668-7683	IGNITION COIL COMP.	1	
045	668-7965	LEAD WIRE ASSY	1	
046	669-6386	HEX.HOLE BOLT M4X18/WS	2	
050	668-7684	IGNITION COIL ASSY	1	

H49-02

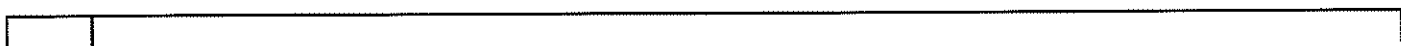
CH55EPC(S) CRANK CASE



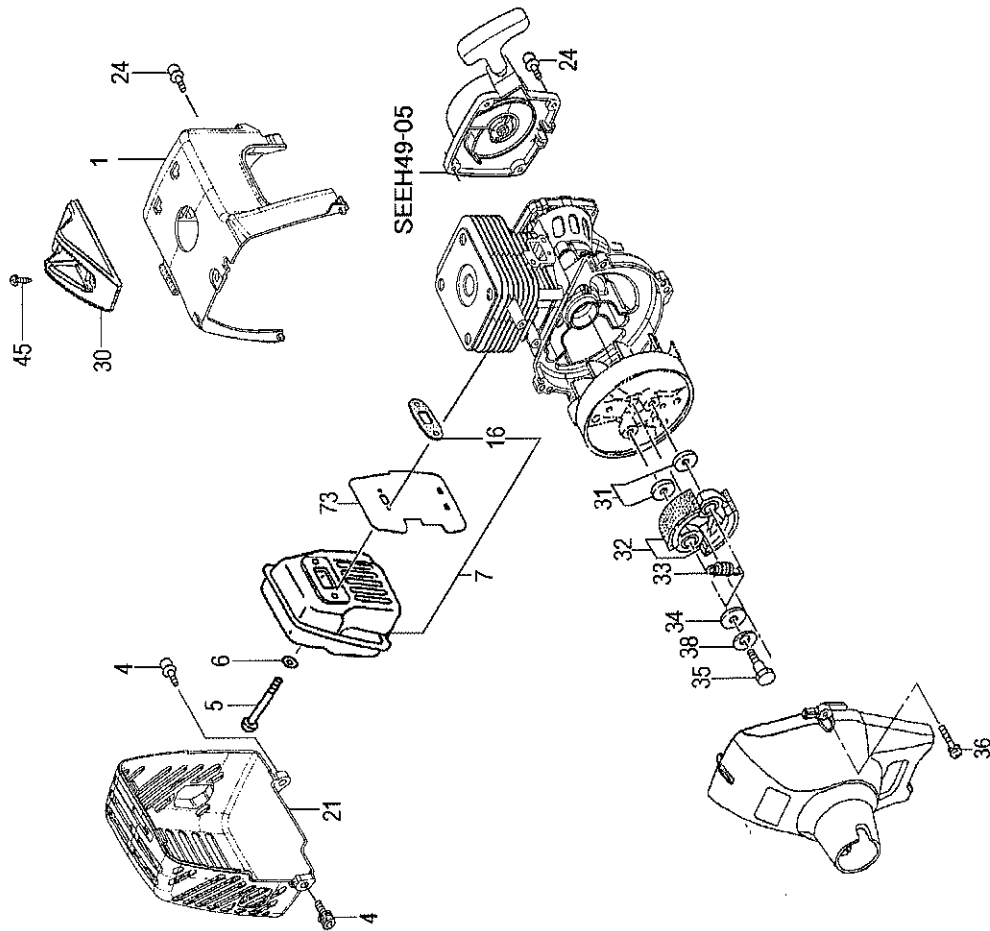
REF. NUMBER	PARTS NUMBER	DESCRIPTION	Q'TY	SERIAL NUMBER
019	668-4604	GEAR SHAFT SHIM 0.20	V	
019	668-4605	GEAR SHAFT SHIM 0.30	V	
024	668-7384	MAGNETO ROTOR COMP.	1	
025	668-4612	HEX.NUT M8	1	
027	668-4611	WASHER M8	1	
031	669-5700	CRANK CASE ASS'Y	1	
032	668-4607	OIL SEAL TB 12227	2	
033	669-5535	BALL BEARING 6001 C3	2	
034	668-4904	CRANK CASE GASKET	1	
036	668-4903	HEX.HOLE BOLT M5X16/S	4	



REF. NUMBER	PARTS NUMBER	DESCRIPTION	Q'TY	SERIAL NUMBER
080	668-9895	INLET MANIFOLD GASKET	1	
081	668-9972	INSULATOR SET	1	
082	669-5515	HEX. HOLE BOLT 5X25WS	2	
085	668-4615	CARBURETOR GASKET	2	
086	669-1281	CHOKE LEVER 1.5	1	
088	669-0120	CLEANER BODY COMP.	1	
089	669-0365	CLEANER SPONGE	1	
090	669-0421	CLEANER COVER ASS'Y	1	
091	669-0384	COVER FIXING BOLT	1	
094	669-5353	SCREW 5X57/S	2	
096	668-4864	SMALL WASHER 5	2	
098	669-0519	CABURETOR SET WYJ-431	1	
099	669-1239	CHOKE CONTROL LEVER	1	
100	669-1604	TANK ORG	1	
109	668-4623	COLLAR C	3	
110	668-4627	RETURN GROMMET	1	
111	668-4626	FUEL PIPE 3X5X65	1	
112	668-4620	PUMP FILTER BODY COMP.	1	
113	668-4619	CLIP,6.3 DIA.	1	
114	668-4618	FUEL PIPE ASS'Y	1	
116	668-4634	HEX.HOLE BOLT 5X20/PS	3	
117	668-5049	TANK CAP ASS'Y	1	
118	669-5280	TAP SCREW 4X14 P	1	
119	668-5070	BOLT WASHER M4	1	
120	669-4787	STAND	1	
200	668-4625	TANK CAP CHAIN	1	



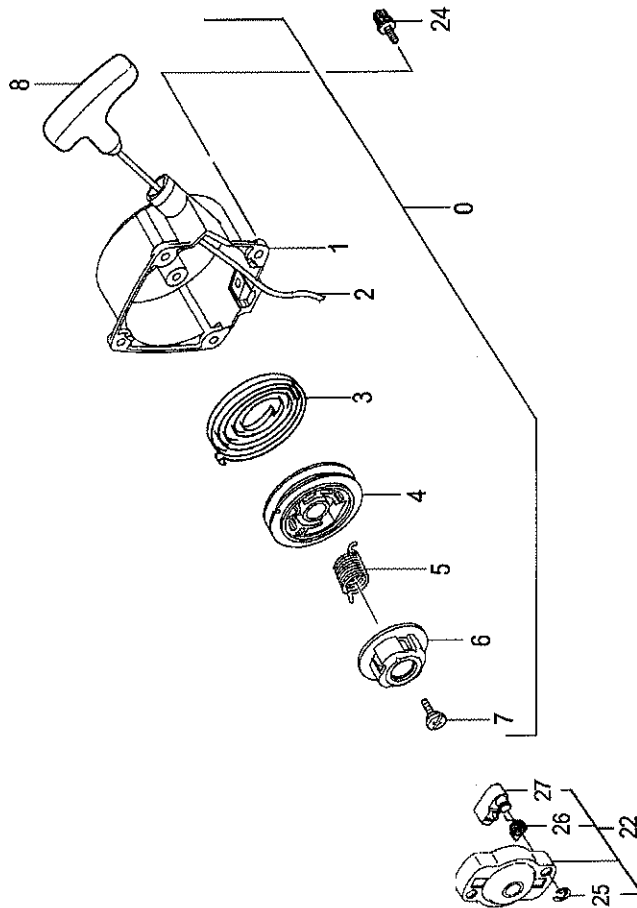
H49-04 CH55EPC(S) ENGINE-2



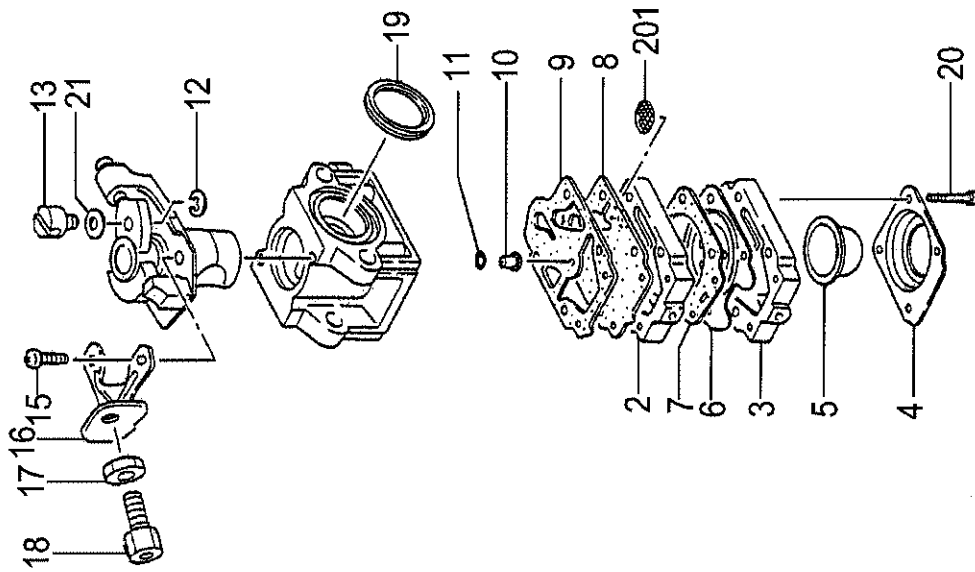
REF. NUMBER	PARTS NUMBER	DESCRIPTION	Q'TY	SERIAL NUMBER
001	668-5690	CYLINDER COVER	1	
004	669-5504	HEX.HOLE BOLT 5X16/PS	2	
005	668-4638	HEX. HOLE BOLT M6X55	2	
006	668-4639	WASHER 6	2	
007	669-2498	MUFFLER SET	1	
016	669-2732	MUFFLER GASKET	1	
021	669-2813	MUFFLER PROTECTOR	1	
024	669-5508	HEX. HOLE BOLT 4X18WS	2	
030	668-8345	PLUG CAP	1	
031	668-4642	CLUTCH WASHER B	2	
032	668-4643	CLUTCH SHOE COMP.	2	
033	668-4644	CLUTCH SPRING	1	
034	668-4645	CLUTCH PLATE A 0.5	2	
035	668-4646	STEP BOLT	2	
036	668-4634	HEX.HOLE BOLT 5X20/PS	3	
038	668-4648	BENT WASHER 8	2	
045	668-4636	TAPPING SCREW D4.5X16	1	
073	668-7264	HEAT SHIELD	1	

H19-05

CH55EPC(S) RECOIL STARTER



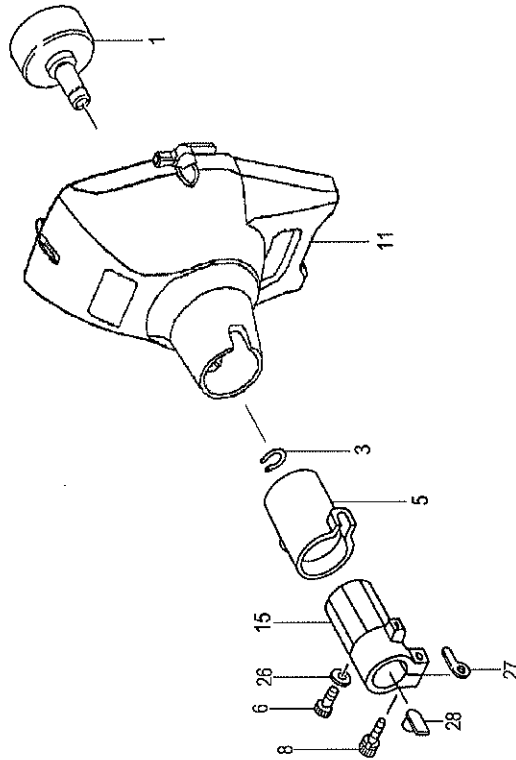
REF. NUMBER	PARTS NUMBER	DESCRIPTION	Q'TY	SERIAL NUMBER
000	668-4672	RECOIL STARTER BODY ASS'Y	1	
001	668-4673	RECOIL STARTER BODY COMP.	1	
002	668-4674	STARTER ROPE 3.5X860	1	
003	668-4675	RECOIL SPRING	1	
004	668-4676	STARTER ROPE REEL	1	
005	668-4677	DUMPER SPRING	1	
006	668-4678	CAM PLATE	1	
007	668-4679	SET SCREW	1	
008	668-4680	STARTER HANDLE	1	
022	668-4681	STARTER PULLEY ASS'Y	1	
024	669-5508	HEX. HOLE BOLT 4X18WS	2	
025	668-4683	STOP RING E-5	2	
026	668-4684	STARTER PAWL SPRING	2	
027	668-4685	STARTER PAWL	2	



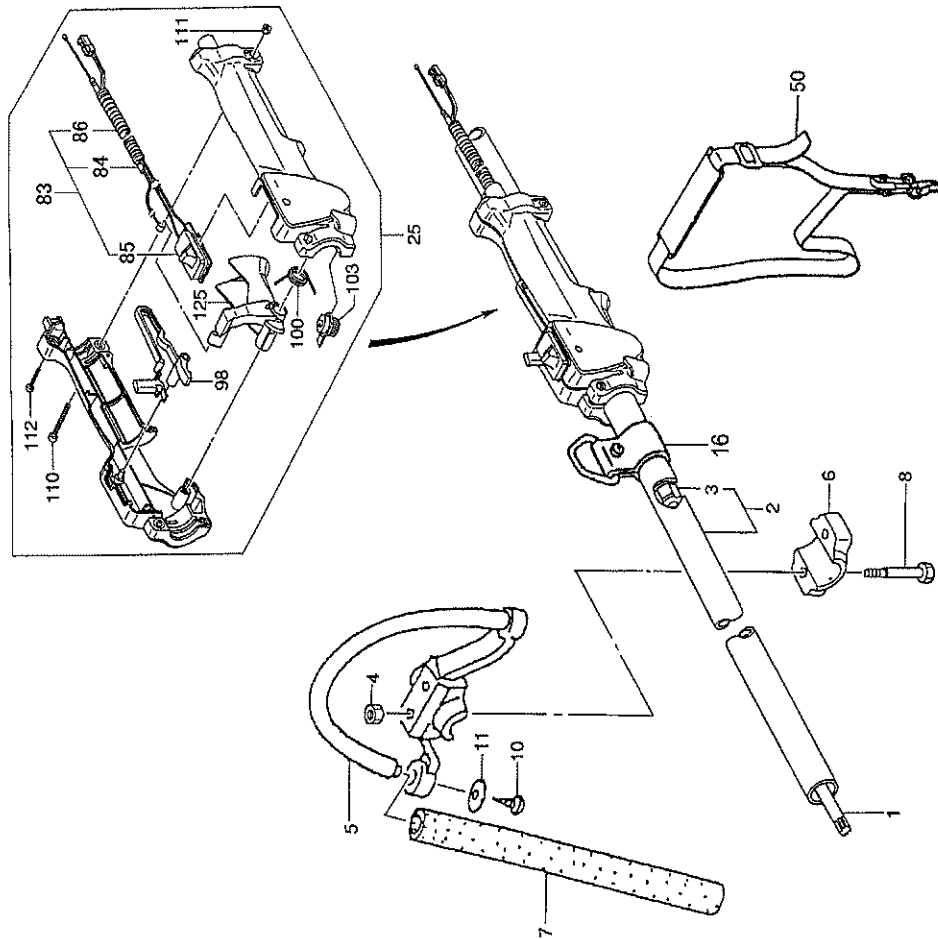
REF. NUMBER	PARTS NUMBER	DESCRIPTION	Q'TY	SERIAL NUMBER
002	668-4879	PUMP BODY COMP.	1	
003	668-4687	PRIMING PUMP COMP.	1	
004	668-4688	DIAPHRAGM COVER	1	
005	668-4689	PRIMING BODY	1	
006	669-0830	METERING DIAPHRAGM CO	1	
007	668-4691	DIAPHRAGM GASKET	1	
008	668-4693	PUMP DIAPHRAGM	1	
009	668-4692	PUMP GASKET	1	
010	669-1847	MAIN JET #42	1	
011	668-4695	O-RING	1	
012	668-4696	STOP RING	1	
013	668-4697	SWIVEL	1	
015	668-4870	THROTTLE SET SCREW	2	
016	668-4873	CABLE ADJUSTER STAY	1	
017	669-2005	CABLE ADJUST NUT	1	
018	668-4871	CABLE ADJUSTER	1	
019	668-4875	CLEANER PACKING	1	
020	668-4699	SET SCREW	4	
021	668-4874	THRUST WASHER	1	
201	668-4700	INLET SCREEN	1	

H49-07

CH55EPC(S) FAN CASE



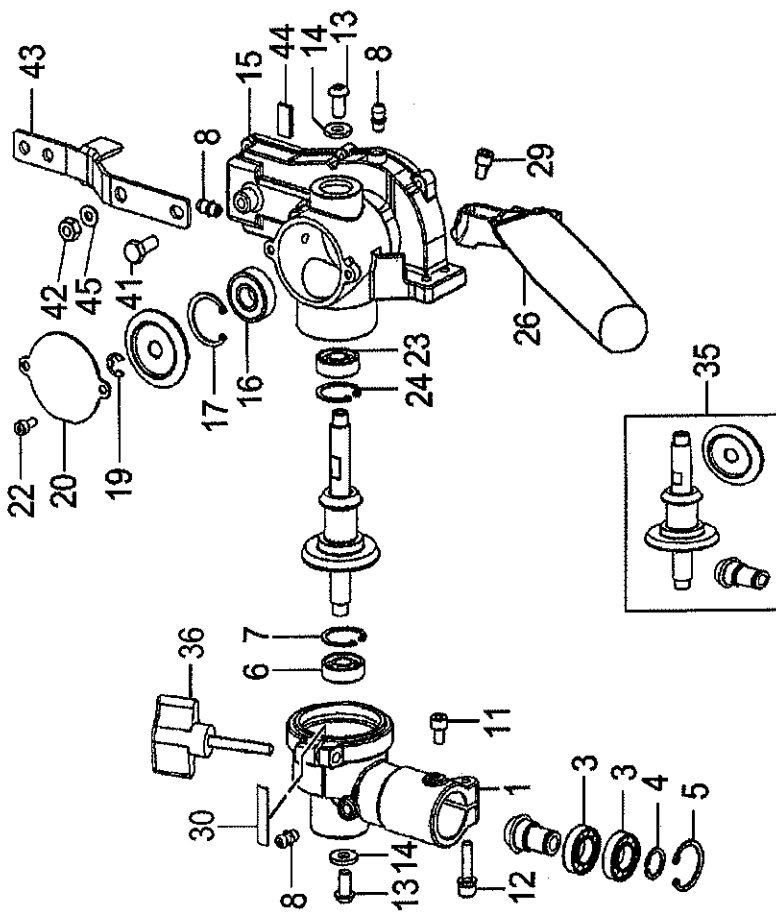
REF. NUMBER	PARTS NUMBER	DESCRIPTION	Q'TY	SERIAL NUMBER
001	668-8580	CLUTCH DRUM COMP.	1	
003	668-4664	STOP RING C-12 OUTER	1	
005	669-1823	CUSHION RUBBER	1	
006	669-5046	HEX. HOLE BOLT 5X16	1	
008	668-4709	HEX.HOLE BOLT M5X25/S	1	
011	668-6959	FAN CASE COMP.	1	
015	668-9651	PIPE HOLDER, TPE	1	
026	668-4918	WASHER M5	1	
027	668-9159	GEAR CASE WASHER	1	
028	668-9664	METAL FITTING	1	



REF. NUMBER	PARTS NUMBER	DESCRIPTION	Q'TY	SERIAL NUMBER
001	668-9470	DRIVE SHAFT, 1483L	1	
002	668-9386	DRIVE SHAFT PIPE COMP.	1	
003	668-4831	BUSH ASS'Y	5	
004	668-4835	HEX NUT 6	2	
005	669-1046	LOOP HANDLE, 24 DIA., BLACK	1	
006	669-1134	HANDLE BRACKET A	1	
007	669-1098	HANDLE GRIP	1	
008	668-4838	BOLT 6X43/P (BLACK)	2	
010	669-5255	TAPPING SCREW 5X20	1	
011	668-9681	BRAKE SHAFT WASHER	1	
016	668-9277	LIFTING METAL ASS'Y	1	
025	669-3764	THROTTLE LEVER ASS'Y, 24 DIA.	1	
050	669-2867	SHOULDER BELT ASS'Y	1	
083	669-3978	THROTTLE WIRE COMP.	1	
084	669-4022	THROTTLE WIRE	1	
085	668-7459	STOP SWITCH COMP.	1	
086	668-7526	PROTECTION TUBE 7X175	1	
098	668-4721	SAFETY LEVER	1	
100	668-4722	RETURN SPRING	1	
103	669-3807	THROTTLE STOPPER COMP.	1	
110	668-4803	SCREW M5X20	2	
111	668-4727	CONTAL NUT 5	2	
112	668-4725	SCREW M4X20 (BLACK)	4	
125	668-4804	THROTTLE LEVER	1	

H49-09

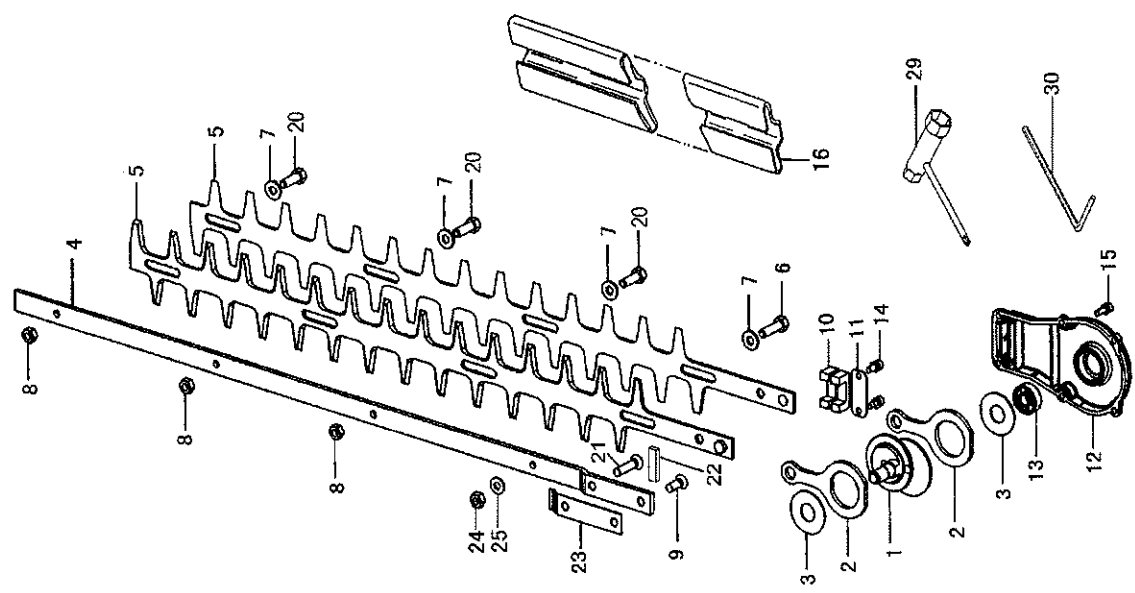
CH55EPC(S) GEAR CASE



REF. NUMBER	PARTS NUMBER	DESCRIPTION	Q'TY	SERIAL NUMBER
001	668-8653	GEAR CASE A, 24 DIA	1	
003	669-5582	BALL BEARING 6901ZZ, 24MM/OD	2	
004	669-5302	STOP RING S-12, OUTER	1	
005	668-4732	STOP RING C-24, INNER	1	
006	669-5547	BALL BEARING 608 ZZ C3	1	
007	669-5293	STOP RING C-22, INNER	1	
008	668-8643	GREASE NIPPLE COMP.	3	
011	669-5042	HEX. HOLE BOLT 5X10	1	
012	668-4709	HEX.HOLE BOLT M5X25/S	1	
013	669-5078	HEX. HOLE BOLT 6X12	2	
014	668-4822	SPECIAL WASHER B	2	
015	669-5981	GEAR CASE B	1	
016	669-5529	BALL BEARING #6000 2RS C3	1	
017	669-5294	STOP RING C-26, INNER	1	
019	669-5310	STOP RING E-6	1	
020	668-9167	GEAR CASE COVER A	1	
022	669-5035	HEX HOLE BOLT 4X8	2	
023	669-5547	BALL BEARING 608 ZZ C3	1	
024	669-5293	STOP RING C-22, INNER	1	
026	668-8089	HANDLE	1	
029	669-5079	HEX HOLE BUTTON SCREW 6X15	2	
030	668-6669	GREASE SEALED	1	
035	668-8893	GEAR SET	1	
036	669-1200	HANDLE KNOB A COMP.	1	
041	669-5016	PLUS BOLT 6X14	1	
042	669-5175	NUT 6 UPS-P	1	
043	669-0744	SUPPORT PLATE	1	
044	668-6659	GREASE SEAL B	1	
045	668-4639	WASHER 6	1	

H49-10

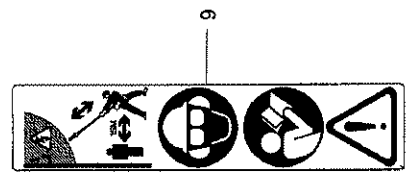
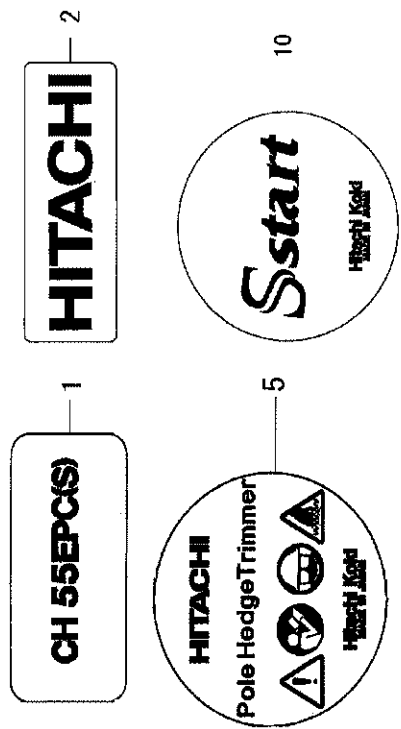
CH55EPC(S) BLADE



REF. NUMBER	PARTS NUMBER	DESCRIPTION	QTY	SERIAL NUMBER
001	668-6790	CAM SHAFT COMP.	1	
002	668-6809	CAM ROD	2	
003	668-6611	CAM-ROD GUIDE PLATE	2	
004	668-7125	CUTTER GUIDE 625.5MM	1	
005	668-7079	CUTTER	2	
006	668-7158	FIXING BOLT A M6	1	
007	668-7187	WASHER 7 BLACK	4	
008	669-5170	FLANGE NUT 6	3	
009	669-5073	HEX HOLE FLUSH SCREW 6X16	1	
010	668-6647	GREASE SEAL A	2	
011	668-6826	CAM-ROD HOLDING PLATE	1	
012	668-9173	GEAR CASE COVER B	1	
013	669-5547	BALL BEARING 608 ZZ C3	1	
014	669-5484	HEX. HOLE BOLT 4X10S	2	
015	668-4595	HEX.HOLE BOLT M4X12/S	6	
016	668-7301	CUTTER COVER	1	
020	668-7162	CUTTER FIXING BOLT B	3	
021	669-5075	HEX. HOLE FLUSH BOLT 6X25	1	
022	668-6666	GREASE SEAL B	1	
023	668-8633	SPACER	1	
024	669-5175	NUT 6 UPS-P	1	
025	668-4639	WASHER 6	1	
029	668-5997	COMBI. BOX SPANNER 10X19 ,PLUS	1	
030	668-4813	HEX. BAR WRENCH 4MM	1	

H49-11

CH55EPC(S) LABELS



REF. NUMBER	PARTS NUMBER	DESCRIPTION	QTY	SERIAL NUMBER
001	669-4754	SYMBOL MARK CH55EPC(S)	1	
002	669-4513	DECLA HITACHI	1	
005	669-4556	CAUTION MARK HITACHI	1	
009	669-4416	CUATION MARK	1	
010	669-4474	STARTER MARK S.START	1	