

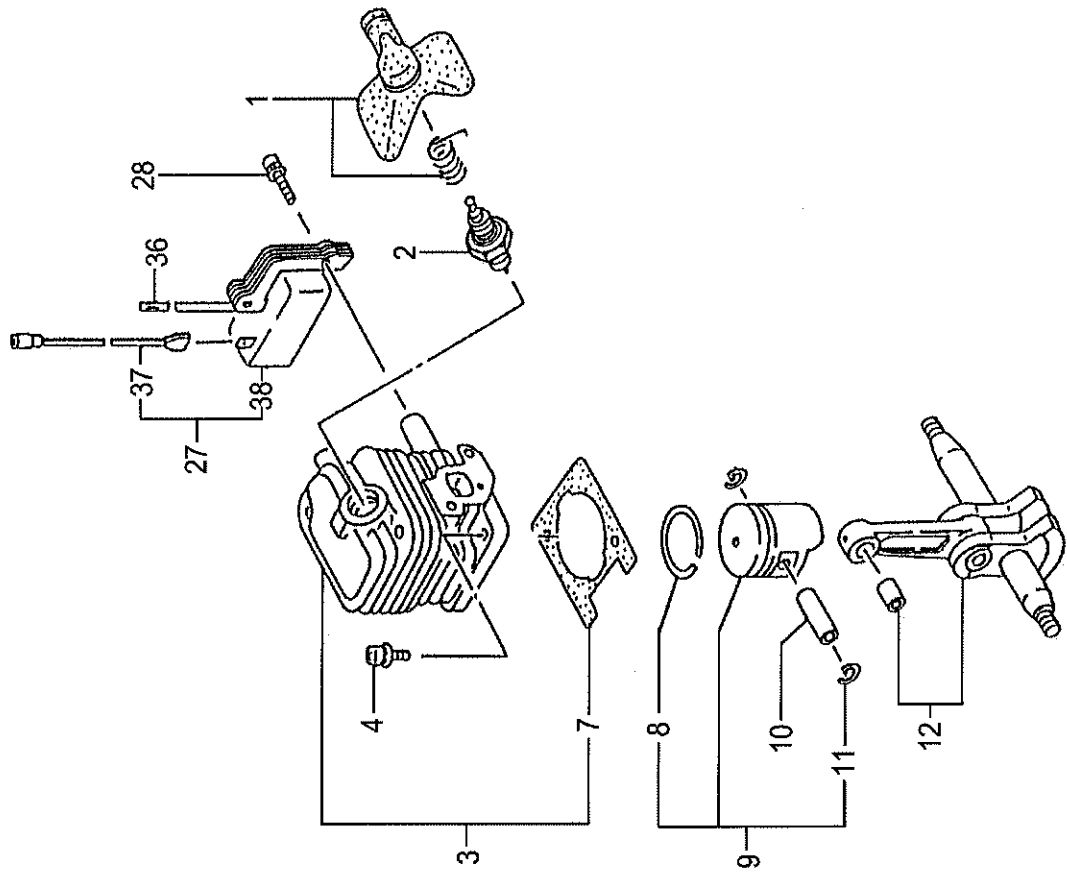
H04

CH78EB(C)

Serial No.

H04-01

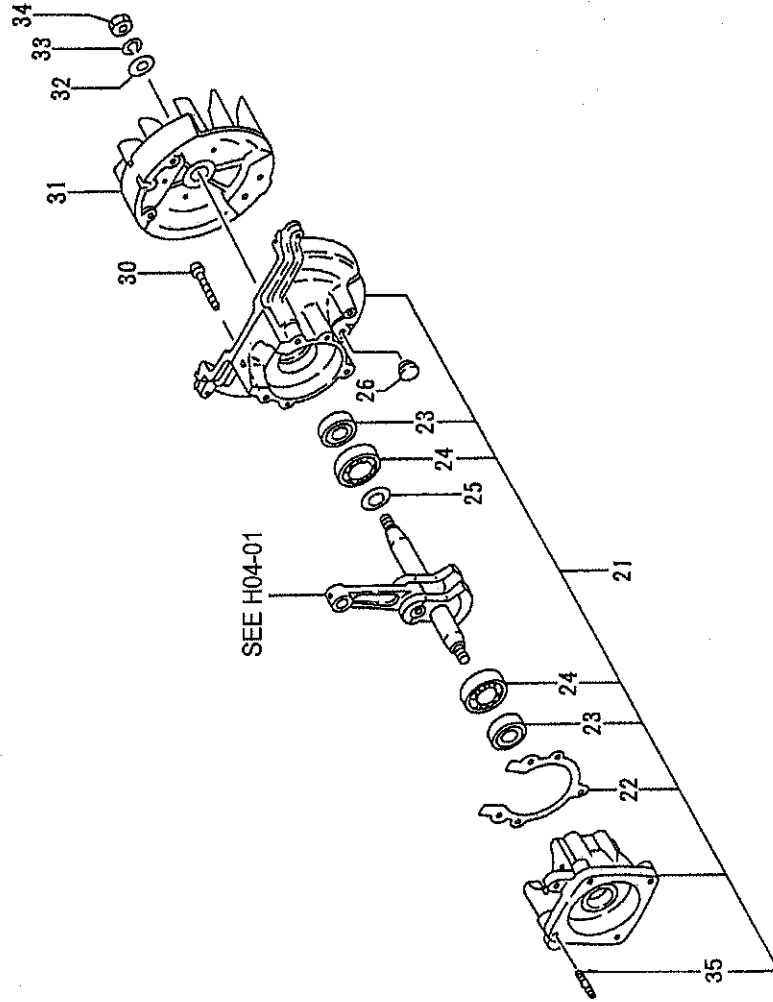
CH78EB(C) CYLINDER/PISTON/CRANK SHAFT



REF. NUMBER	PARTS NUMBER	DESCRIPTION	Q'TY	SERIAL NUMBER
001	668-7476	SPARK PLUG CAP ASS'Y	1	
002	668-5768	SPARK PLUG, RCJ8Y	1	
003	668-5480	CYLINDER SET	1	
004	668-4586	HEX.HOLE BOLT M5X18/S	2	
007	668-5744	CYLINDER GASKET	1	
008	668-6118	PISTON RING	1	
009	668-5892	PISTON SET	1	
010	668-6015	PISTON PIN	1	
011	668-6028	PISTON PIN CIRCLIP	2	
012	668-6205	CRANK SHAFT COMP.	1	
027	668-7350	IGNITION COIL ASS'Y	1	
028	668-4599	HEX.HOLE BOLT M4X18/WS	2	
036	668-4597	INSULATOR TUBE 50L	1	
037	668-7866	CORD	1	
038	668-7698	IGNITION COIL COMP.	1	

H04-02

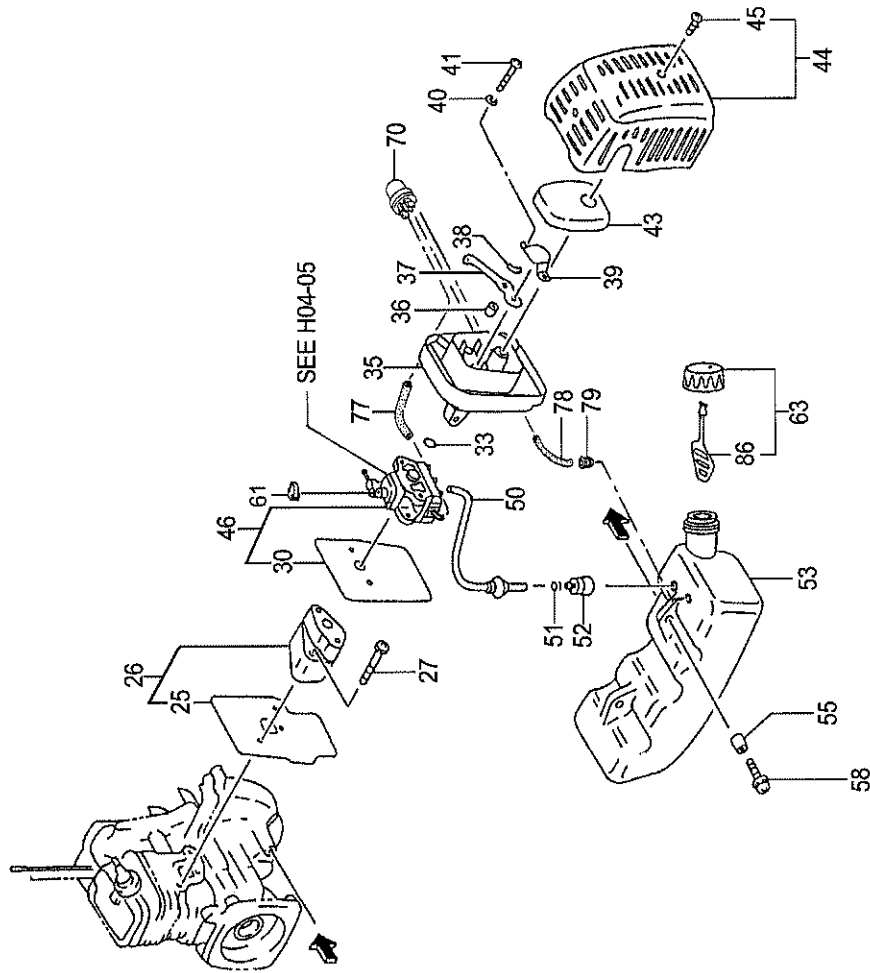
CH78EB(C) CRANK CASE



REF. NUMBER	PARTS NUMBER	DESCRIPTION	QTY	SERIAL NUMBER
021	668-6574	CRANK CASE ASSY	1	
022	668-6720	CRANKCASE GASKET	1	
023	668-4607	OIL SEAL TB 12227	2	
024	669-5535	BALL BEARING 6001 C3	2	
025	668-4604	GEAR SHAFT SHIM 0.20	V	
025	668-4605	GEAR SHAFT SHIM 0.30	V	
026	669-1822	ANTI-VIBE RUBBER	1	
030	668-4786	HEX. SOCKET HD. BOLT M	3	
031	668-7389	MAGNETO ROTOR COMP.	1	
032	668-4611	WASHER M8	1	
033	668-4971	S.WASHER 8	1	
034	668-4612	HEX.NUT M8	1	
035	668-6771	STUD BOLT 6X22	2	

H04-03

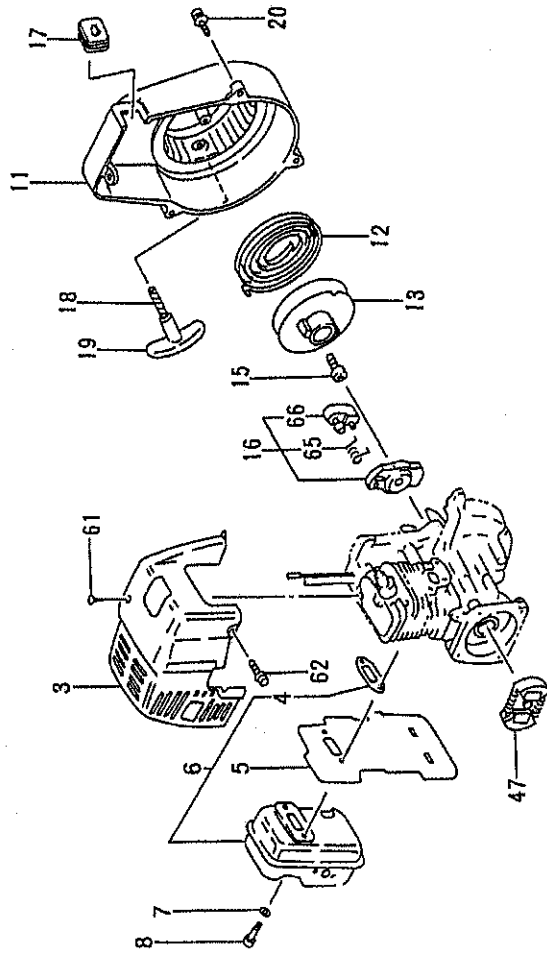
CH78EB(C) ENGINE-1



REF. NUMBER	PARTS NUMBER	DESCRIPTION	QTY	SERIAL NUMBER
025	668-9891	INTAKE PIPE GASKET	1	
026	668-9966	CARB. INSULATOR SET, SPARE	1	
027	669-5515	HEX. HOLE BOLT 5X25WS	2	
030	668-9839	CARBURETOR GASKET	1	
033	669-5670	O-RING P-15	1	
035	669-0119	CLEANER BODY COMP.	1	
036	669-0804	COLLAR 7.5	2	
037	669-1274	CHOKE VALVE	1	
038	668-4658	WAVE WASHER 8	1	
039	669-0843	BLOW OVER CHECK BOARD	1	
040	668-4662	S. WASHER 5	2	
041	668-4660	SCREW M5X60	2	
043	669-0364	CLEANER SPONGE	1	
044	669-0415	CLEANER COVER ASSY	1	
045	668-9737	SPECIAL SCREW	1	
046	669-0487	CARBURETOR SET, WYL120	1	
050	668-5247	SHIELD TUBE ASSY	1	
051	668-4619	CLIP, 6.3 DIA.	1	
052	668-4620	PUMP FILTER BODY COMP.	1	
053	669-1564	FUEL TANK	1	
055	669-2244	COLLAR 5.8	2	
058	669-5505	HEX. HOLE BOLT 5X18PS	2	
061	668-4628	SWIVEL CAP	1	
063	669-1716	TANK CAP D ASSY. ORANGE	1	
070	668-5139	PRIMING PUMP COMP.	1	
077	669-2347	FUEL PIPE 2.5X4X80	1	
078	669-2346	FUEL PIPE 2.5X4X70	1	
079	668-4627	RETURN GROMMET	1	
086	668-4625	TANK CAP CHAIN	1	

H04-04

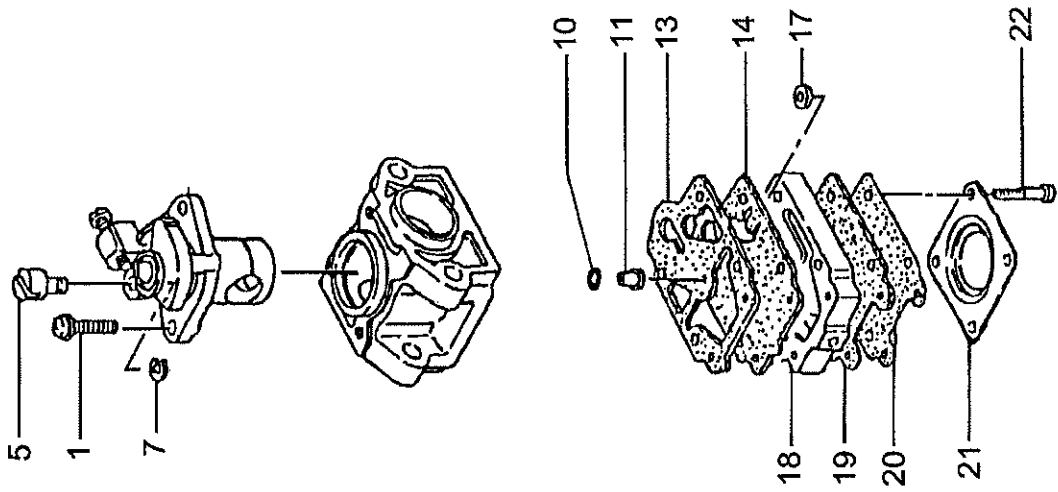
CH78EB(C) ENGINE-2



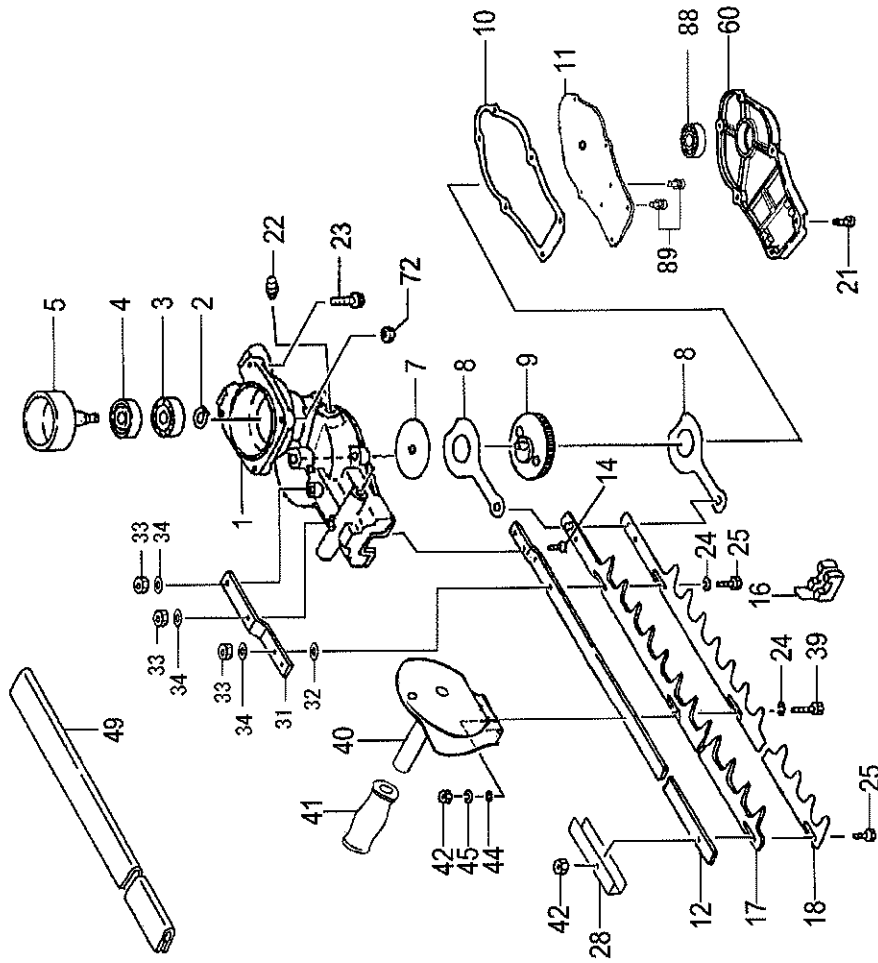
REF. NUMBER	PARTS NUMBER	DESCRIPTION	Q'TY	SERIAL NUMBER
003	669-2795	MUFFLER PROTECTOR	1	
004	669-2744	MUFFLER GASKET	1	
005	668-7252	HEAT SHIELD	1	
006	669-2477	MUFFLER SET	1	
007	668-4661	WASHER 5	2	
008	668-5114	HEX. SOCKET HD. BOLT M5X5	2	
011	668-7010	FANCASE COMP., VERMILION	1	
012	668-4675	RECOIL SPRING	1	
013	669-3066	STARTER ROPE REEL	1	
015	669-3633	SET SCREW	1	
016	669-3405	STARTER PULLEY ASSY	1	
017	668-8050	GROMMET	1	
018	669-3168	STARTER ROPE	1	
019	669-3237	STARTER HANDLE	1	
020	668-4682	HEX.HOLE BOLT 4X15/PS	3	
047	668-8494	CLUTCH ASS'Y	1	
061	668-4636	TAPPING SCREW D4.5X16	1	
062	669-5441	BOLT 4X12PS	2	
065	668-4684	STARTER PAWL SPRING	1	
066	669-3319	STARTER PAWL	1	

H04-05

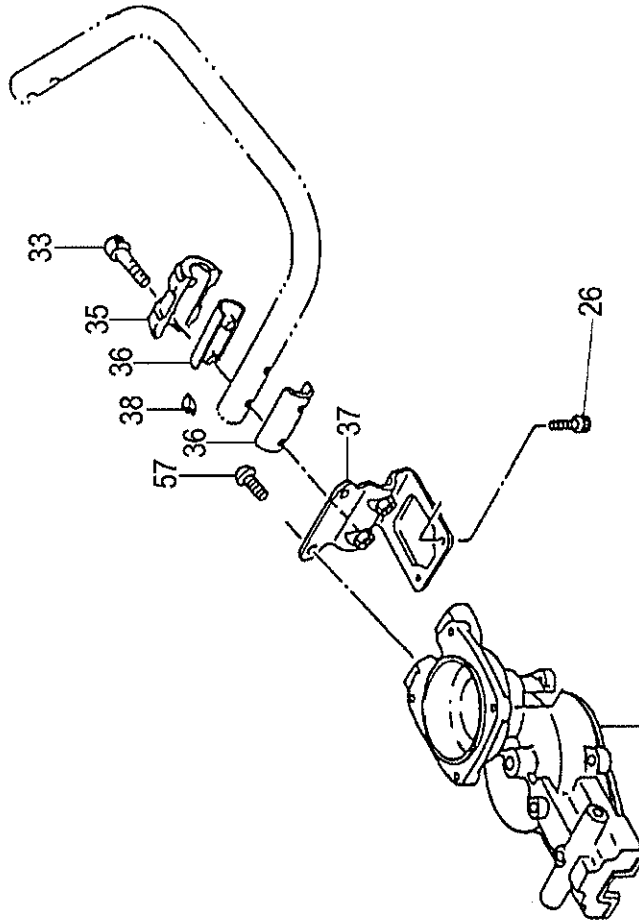
CH78EB(C) CARBURETOR



REF. NUMBER	PARTS NUMBER	DESCRIPTION	QTY	SERIAL NUMBER
001	668-4698	THROTTLE SET SCREW	2	
005	668-4697	SWIVEL	1	
007	668-4696	STOP RING	1	
010	668-4695	O-RING	1	
011	669-1888	MAIN JET #34.5	1	
013	669-1457	PUMP GASKET	1	
014	668-4693	PUMP DIAPHRAGM	1	
017	668-4700	INLET SCREEN	1	
018	669-1430	PUMP BODY COMP.	1	
019	668-5220	DIAPHRAGM PACKING	1	
020	669-0827	METERING DIAPHRAGM COMP. #	1	
021	668-5222	DIAPHRAGM COVER	1	
022	669-1312	SET SCREW	4	

H04-06**CH78EB(C) GEAR CASE/BLADE**

REF. NUMBER	PARTS NUMBER	DESCRIPTION	Q'TY	SERIAL NUMBER
001	668-8678	GEAR CASE COMP.	1	
002	669-5285	STOP RING C-15, OUTER	1	
003	669-5536	BALL BEARING #6002, 32MM/OD	1	
004	669-5538	BALL BEARING #6002Z, 32MM/OD	1	
005	668-8570	CLUTCH DRUM COMP.	1	
007	668-6612	GUIDE PLATE	1	
008	668-6811	CAM ROD	2	
009	668-8625	GEAR 2 COMP.	1	
010	668-8909	GEAR CASE GASKET	1	
011	669-2101	GEAR CASE COVER	1	
012	668-7133	CUTTER GUIDE 858L M6	1	
014	669-5075	HEX. HOLE FLUSH BOLT 6X25	2	
016	668-6654	GREASE SEAL A	2	
017	668-7108	CUTTER B (820L)	1	
018	668-7082	CUTTER A 820L	1	
021	668-4595	HEX. HOLE BOLT M4X12/S	4	
022	668-8643	GREASE NIPPLE COMP.	1	
023	669-5495	HEX. HOLE BOLT 6X18/S	2	
024	668-7187	WASHER 7 BLACK	4	
025	668-7158	FIXING BOLT A M6	4	
028	668-7180	BLADE HOLDER	1	
031	669-0764	SUPPORT PLATE	1	
032	668-4822	SPECIAL WASHER B	1	
033	669-5175	NUT 6 UPS-P	3	
034	668-4639	WASHER 6	3	
039	668-7168	FIXING BOLT B M6	1	
040	668-6311	HANDLE B COMP.	1	
041	668-4708	HANDLE GRIP	1	
042	669-5170	FLANGE NUT 6	4	
044	668-4639	WASHER 6	1	
045	669-5219	S. WASHER 6	1	
049	668-7308	CUTTER COVER, L-773	1	
060	668-8845	GEAR CASE B	1	
072	669-5475	SPRING NUT 6	2	
088	669-5547	BALL BEARING 608 ZZ C3	1	
089	669-5484	HEX. HOLE BOLT 4X10S	2	

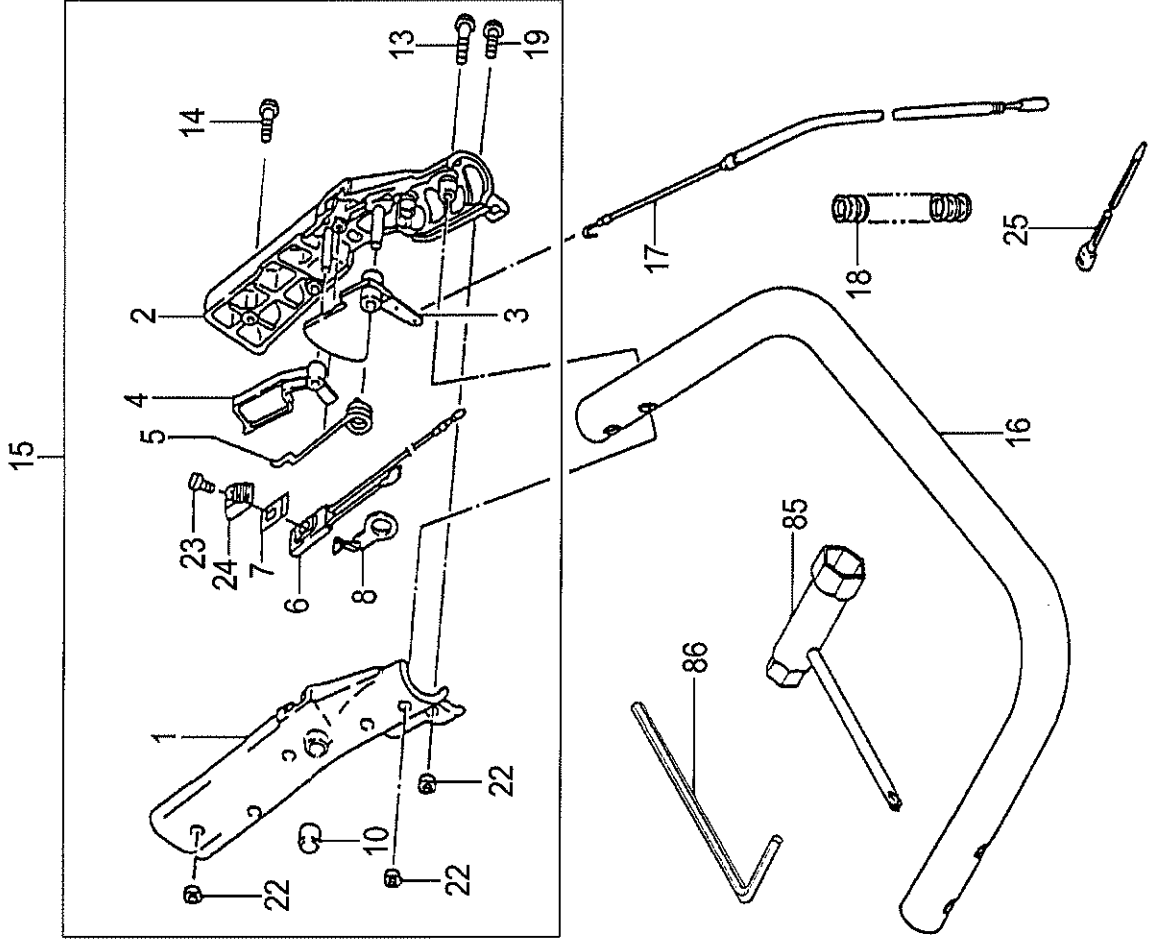
H04-07**CH78EB(C) HANDLE BRACKET**

SEE H04-06

REF. NUMBER	PARTS NUMBER	DESCRIPTION	QTY	SERIAL NUMBER
026	669-5487	HEX. HOLE BOLT 4X15/S	2	
033	668-4934	HEX.HOLE BOLT M5X35	2	
035	668-6362	HANDLE HOLDER	1	
036	668-6398	DAMPER RUBBER	2	
037	668-6369	HANDLE BRACKET COMP.	1	
038	668-7800	EARTH TERMINAL	1	
057	669-5489	HEX HOLE BOLT 5X12/S	2	

H04-08

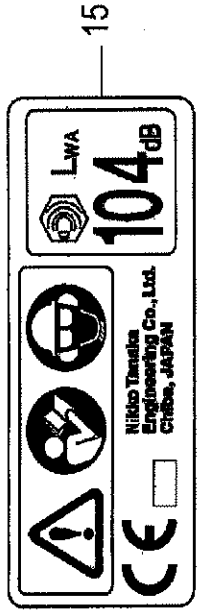
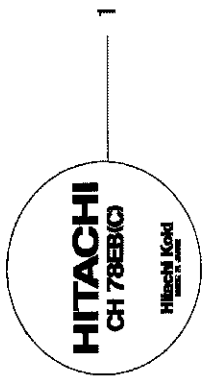
CH78EB(C) HANDLE



REF. NUMBER	PARTS NUMBER	DESCRIPTION	Q'TY	SERIAL NUMBER
001	668-6338	HANDLE GRIP A	1	
002	668-6349	HANDLE GRIP B	1	
003	668-8229	THROTTLE LEVER	1	
004	668-8238	SAFETY LEVER	1	
005	668-6414	THROTTLE LEVER SPRING	1	
006	668-7765	STOP BUTTON COMP.	1	
007	669-4585	STOP BUTTON MARK	1	
008	668-9128	EARTH TERMINAL	1	
010	669-3002	CAP	1	
013	669-5412	SCREW 4X30/WS	2	
014	669-5411	SCREW 4X25/WS	1	
015	668-6357	HANDLE GRIP ASS'Y	1	
016	668-6274	HANDLE A COMP.	1	
017	669-3910	THROTTLE WIRE COMP.	1	
018	668-7525	PROTECTION TUBE 7X165L	1	
019	669-5404	SCREW 4X16WS	3	
022	669-5163	NYLON LOCK NUT 4	6	
023	668-4913	SCREW 3X10	1	
024	668-8368	BUTTON STOP	1	
025	668-8015	CORD CLAMP	1	
085	668-5997	COMBI. BOX SPANNER 10X19 ,PLUS	1	
086	668-4813	HEX. BAR WRENCH 4MM	1	

H04-09

CH78EB(C) LABELS



REF. NUMBER	PARTS NUMBER	DESCRIPTION	Q'TY	SERIAL NUMBER
001	669-4369	NAME PLATE CH78EB(C) CAUTION MARK A	1	
015	669-4526		1	