

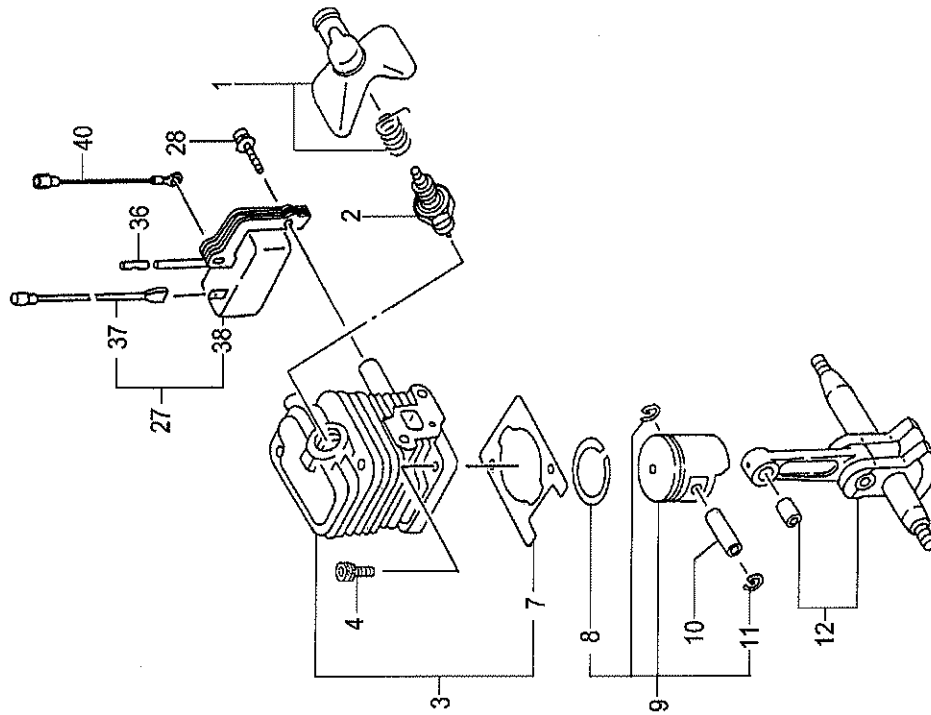
H40

CH78EC(ST)

Serial No.

H40-01

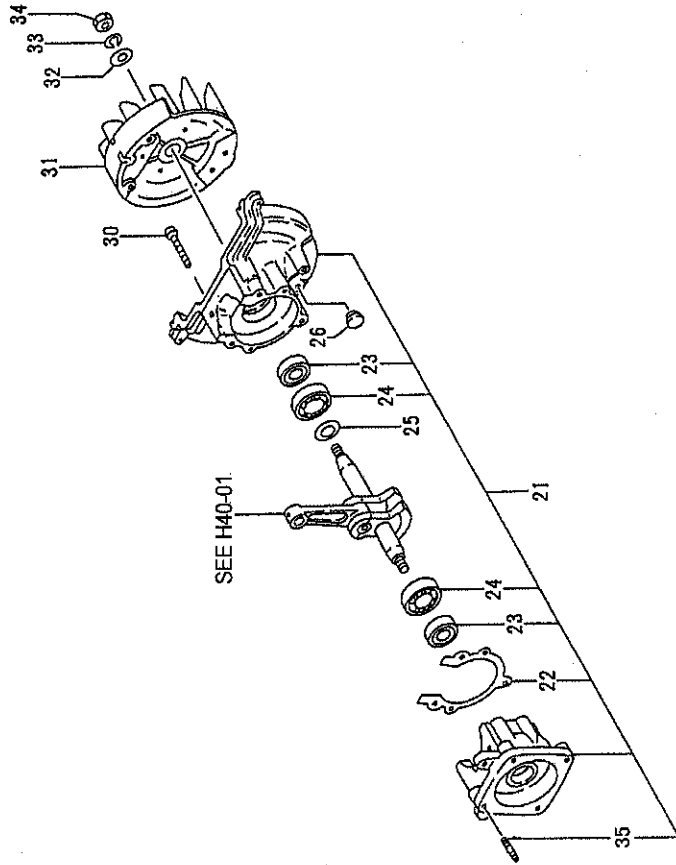
CH78EC(ST) CYLINDER/PISTON CRANK SHAFT



REF. NUMBER	PARTS NUMBER	DESCRIPTION	Q'TY	SERIAL NUMBER
001	668-7476	SPARK PLUG CAP ASSY	1	
002	668-5768	SPARK PLUG, RCJ8Y	1	
003	668-5481	CYLINDER SET	1	
004	668-4586	HEX.HOLE BOLT M5X18/S	2	
007	668-5744	CYLINDER GASKET	1	
008	668-4588	PISTON RING	2	
009	668-5893	PISTON SET, SPARE	1	
010	668-4591	PISTON PIN	1	
011	668-6028	PISTON PIN CIRCLIP	2	
012	668-6205	CRANK SHAFT COMP.	1	
027	668-7350	IGNITION COIL ASS'Y	1	
028	668-4599	HEX.HOLE BOLT M4X18/WS	2	
036	668-4597	INSULATOR TUBE 50L	1	
037	668-7866	CORD	1	
038	668-7698	IGNITION COIL COMP.	1	
040	668-8461	CORD, B130M	1	

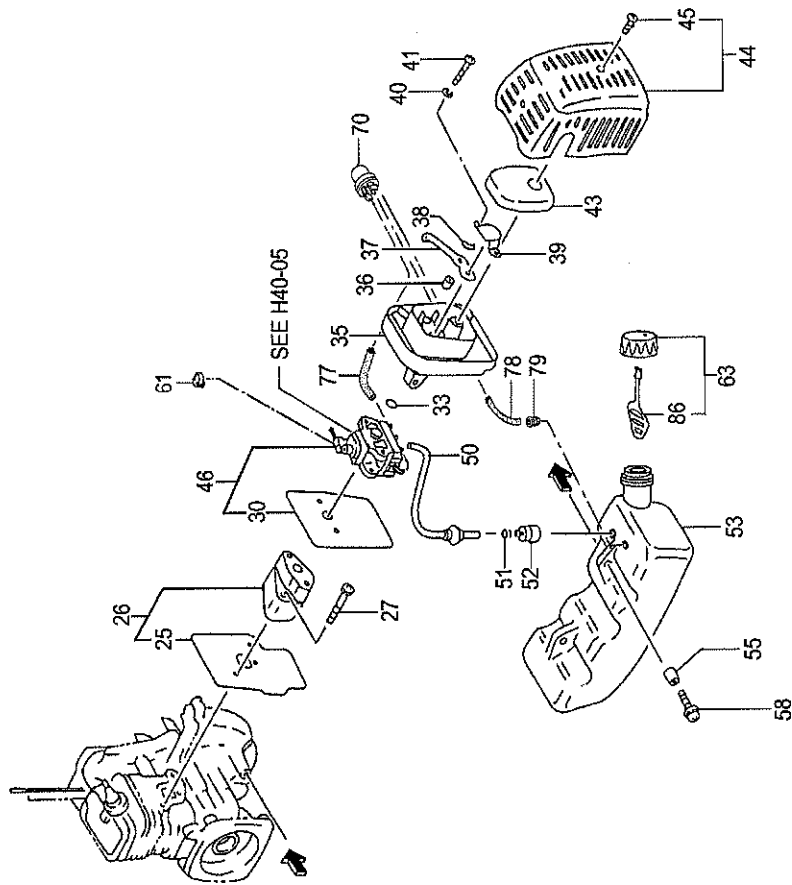
H40-02

CH78EC(ST) CRANK CASE



REF. NUMBER	PARTS NUMBER	DESCRIPTION	Q'TY	SERIAL NUMBER
021	668-6574	CRANK CASE ASS'Y	1	
022	668-6720	CRANKCASE GASKET	1	
023	668-4607	OIL SEAL TB 12227	2	
024	669-5535	BALL BEARING 6001 C3	2	
025	668-4604	GEAR SHAFT SHIM 0.20	V	
025	668-4605	GEAR SHAFT SHIM 0.30	V	
026	669-1822	ANTI-VIBE RUBBER	1	
030	668-4786	HEX. SOCKET HD. BOLT M8	3	
031	668-7389	MAGNETO ROTOR COMP.	1	
032	668-4611	WASHER M8	1	
033	668-4971	S.WASHER 8	1	
034	668-4612	HEX.NUT M8	1	
035	668-6771	STUD BOLT 6X22	2	

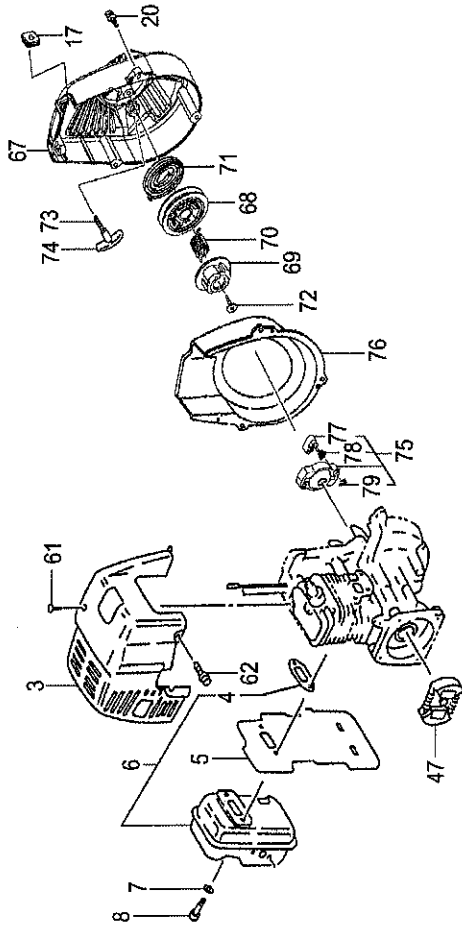
H40-03 CH78EC(ST) ENGINE-1



REF. NUMBER	PARTS NUMBER	DESCRIPTION	QTY	SERIAL NUMBER
025	668-9891	INTAKE PIPE GASKET	1	
026	668-9966	CARB. INSULATOR SET, SP/	1	
027	669-5515	HEX. HOLE BOLT 5X25WS	2	
030	668-9839	CARBURETOR GASKET	1	
033	669-5670	O-RING P-15	1	
035	669-0119	CLEANER BODY COMP.	1	
036	669-0804	COLLAR 7.5	2	
037	669-1274	CHOKE VALVE	1	
038	668-4658	WAVE WASHER 8	1	
039	669-0843	BLOW OVER CHECK BOARD	1	
040	668-4662	S.WASHER 5	2	
041	668-4660	SCREW M5X60	2	
043	669-0364	CLEANER SPONGE	1	
044	669-0417	CLEANER COVER	1	
045	668-9737	SPECIAL SCREW	1	
046	669-0487	CARBURETOR SET, WYL12	1	
050	668-5247	SHIELD TUBE ASS'Y	1	
051	668-4619	CLIP, 6.3 DIA.	1	
052	668-4620	PUMP FILTER BODY COMP	1	
053	669-1564	FUEL TANK	1	
055	669-2244	COLLAR 5.8	2	
058	669-5505	HEX. HOLE BOLT 5X18PS	2	
061	668-4628	SWIVEL CAP		
063	669-1716	TANK CAP D ASS'Y. ORANG	1	
070	668-5139	PRIMING PUMP COMP.	1	
077	669-2347	FUEL PIPE 2.5X4X80	1	
078	669-2346	FUEL PIPE 2.5X4X70	1	
079	668-4627	RETURN GROMMET	1	
086	668-4625	TANK CAP CHAIN	1	

H40-04

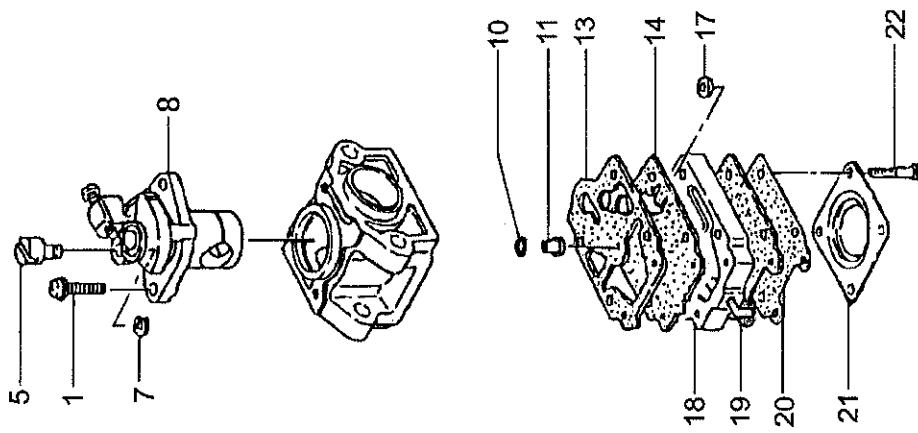
CH78EC(ST) ENGINE-2



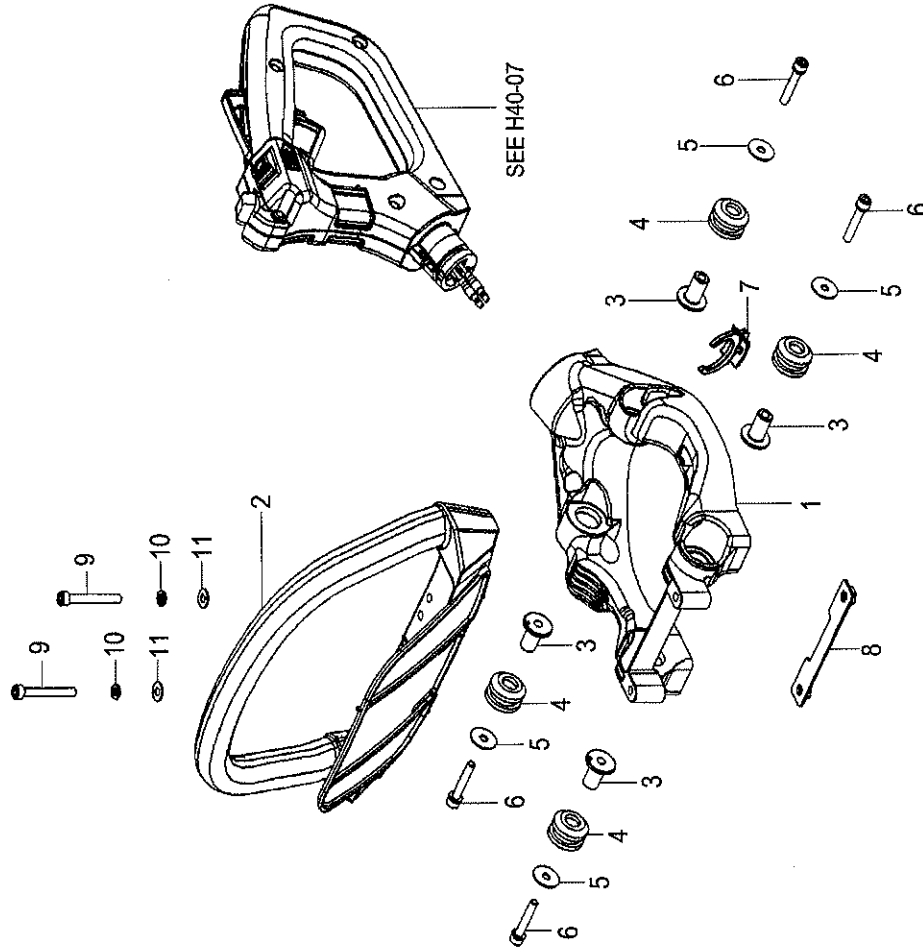
REF. NUMBER	PARTS NUMBER	DESCRIPTION	QTY	SERIAL NUMBER
003	669-2799	MUFFLER PROTECTOR	1	
004	669-2744	MUFFLER GASKET	1	
005	668-7252	HEAT SHIELD	1	
006	669-2477	MUFFLER SET	1	
007	668-4661	WASHER 5	2	
008	668-5114	HEX. SOCKET HD. BOLT M5X50	2	
017	668-8050	GROMMET	1	
020	669-5502	HEX.HOLE BOLT 4X18PS	3	
047	668-8494	CLUTCH ASS'Y	1	
061	668-4636	TAPPING SCREW D4.5X16	1	
062	669-5441	BOLT 4X12PS	2	
067	668-7014	FAN CASE COMP.	1	
068	669-3072	STARTER ROPE REEL	1	
069	668-4678	CAM PLATE	1	
070	668-4677	DUMPER SPRING	1	
071	668-4675	RECOIL SPRING	1	
072	668-4679	SET SCREW	1	
073	669-3172	ROPE 3X890	1	
074	669-3237	STARTER HANDLE	1	
075	668-4681	STARTER PULLEY ASS'Y	1	
076	668-7209	DEFLECTOR	1	
077	668-4685	STARTER PAWL	2	
078	668-4684	STARTER PAWL SPRING	2	
079	668-4683	STOP RING E-5	2	

H40-05

CH78EC(ST) CABURETOR



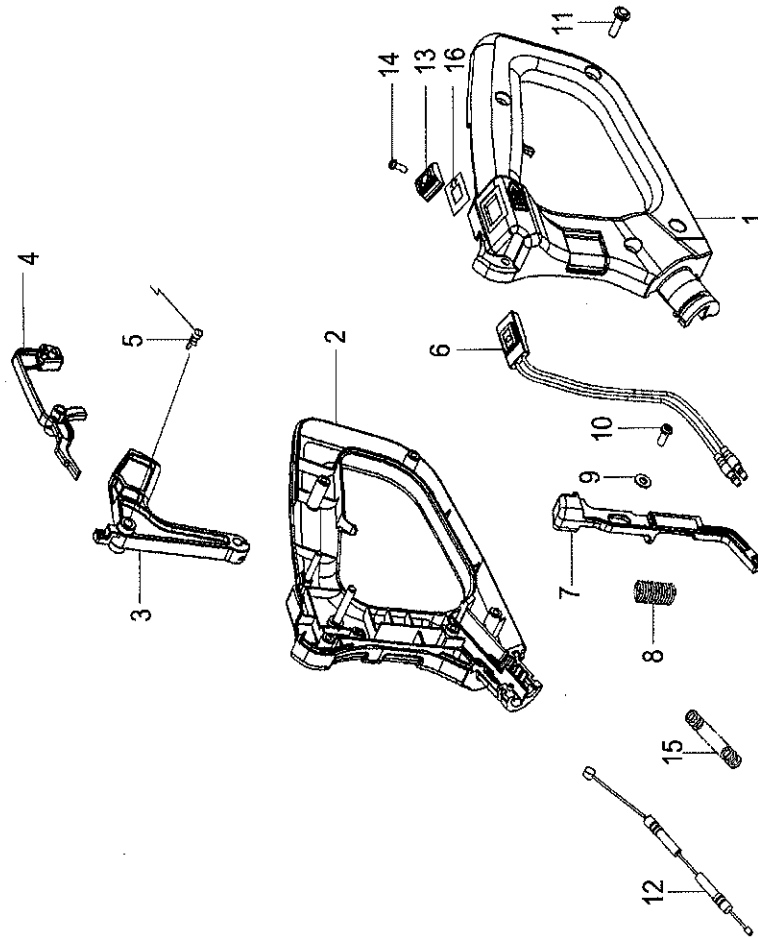
REF. NUMBER	PARTS NUMBER	DESCRIPTION	Q'TY	SERIAL NUMBER
001	668-4698	THROTTLE SET SCREW	2	
005	668-4697	SWIVEL	1	
007	668-4696	STOP RING	1	
010	668-4695	O-RING	1	
011	669-1888	MAIN JET #34.5	1	
013	669-1457	PUMP GASKET	1	
014	668-4693	PUMP DIAPHRAGM	1	
017	668-4700	INLET SCREEN	1	
018	669-1430	PUMP BODY COMP.	1	
019	668-5220	DIAPHRAGM PACKING	1	
020	669-0827	METERING DIAPHRAGM CO	1	
021	668-5222	DIAPHRAGM COVER	1	
022	669-1312	SET SCREW	4	

H40-06**CH78EC(ST) FRONT HANDLE**

REF. NUMBER	PARTS NUMBER	DESCRIPTION	Q'TY	SERIAL NUMBER
001	668-8377	FLAME	1	
002	668-8096	FRONT HANDLE	1	
003	668-8485	DAMPER COLLAR B	4	
004	668-8412	DAMPER B	4	
005	668-9680	BRAKE SHAFT WASHER	4	
006	668-4786	HEX. SOCKET HD. BOLT M5	4	
007	669-1122	CLIP BLK	1	
008	668-6111	HANDLE SUPPORT COMP.	1	
009	669-5054	HEX. HOLE BOLT 5X40	2	
010	668-4834	SPRING WASHER 5	2	
011	668-4918	WASHER M5	2	

H40-07

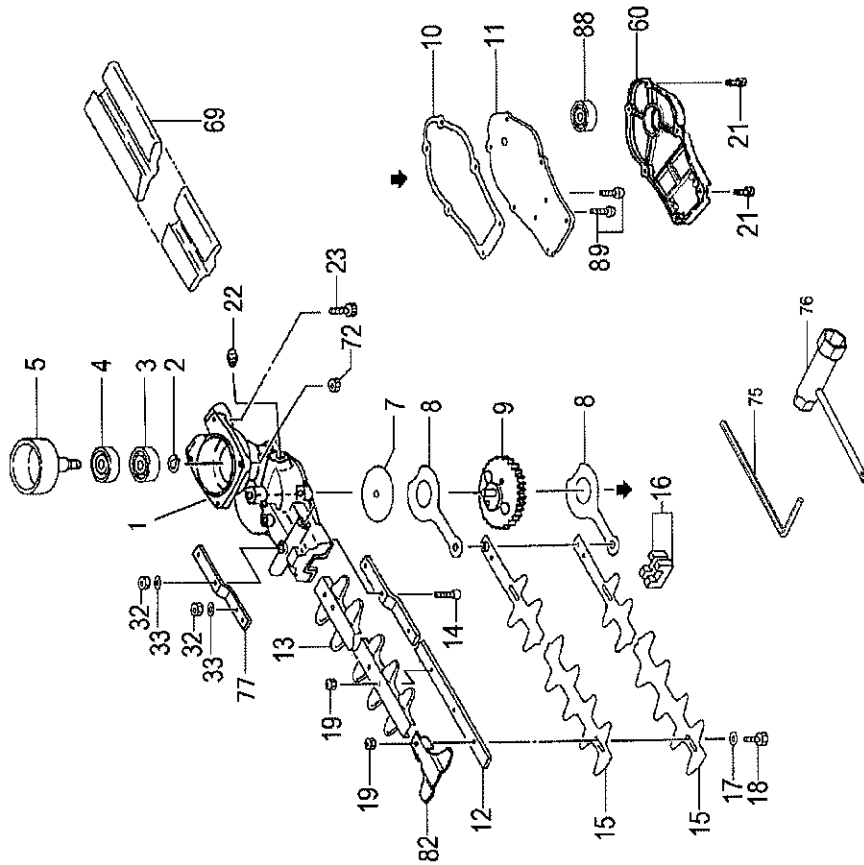
CH78EC(ST) REAR HANDLE



REF. NUMBER	PARTS NUMBER	DESCRIPTION	QTY	SERIAL NUMBER
001	668-6314	HANDLE B	1	
002	668-6279	HANDLE A	1	
003	668-8230	THROTTLE LEVER	1	
004	668-8239	SAFETY LEVER	1	
005	668-8244	THROTTLE LEVER SPRING	1	
006	668-7770	STOP BUTTON COMP.	1	
007	668-8246	LOCK LEVER	1	
008	668-8279	SPRING	1	
009	668-5070	BOLT WASHER M4	1	
010	668-5161	TAPPING SCREW D4X10	1	
011	668-4636	TAPPING SCREW D4.5X16	5	
012	669-3943	THROTTLE WIRE COMP.	1	
013	668-8366	BUTTON STOP	1	
014	668-4913	SCREW 3X10	1	
015	668-7524	PROTECTION TUBE 150L	1	
016	669-4588	STOP BUTTON MARK	1	

H40-08

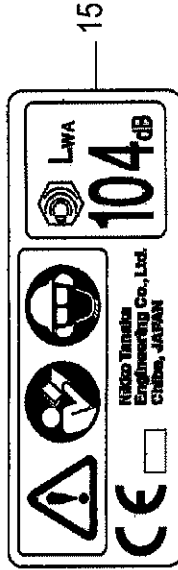
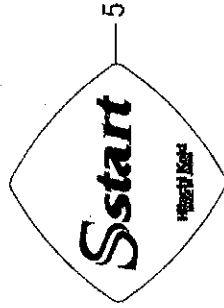
CH78EC(ST) GEAR CASE/BLADE



REF. NUMBER	PARTS NUMBER	DESCRIPTION	Q'TY	SERIAL NUMBER
001	668-8684	GEAR CASE COMP.	1	
002	669-5285	STOP RING C-15, OUTER	1	
003	669-5536	BALL BEARING #6002, 32MM	1	
004	669-5538	BALL BEARING #6002Z, 32M	1	
005	668-8570	CLUTCH DRUM COMP.	1	
007	668-6612	GUIDE PLATE	1	
008	668-6811	CAM ROD	2	
009	668-8625	GEAR 2 COMP.	1	
010	668-8909	GEAR CASE GASKET	1	
011	669-2101	GEAR CASE COVER	1	
012	668-7144	CUTTER GUIDE 845L M6	1	
013	668-7289	PROTECTION PLATE	1	
014	669-5075	HEX. HOLE FLUSH BOLT 6X	2	
015	668-7092	CUTTER A (812L)	2	
016	668-6654	GREASE SEAL A	2	
017	668-7187	WASHER 7 BLACK	6	
018	668-7158	FIXING BOLT A M6	6	
019	669-5170	FLANGE NUT 6	5	
021	668-4595	HEX.HOLE BOLT M4X12/S	6	
022	668-8643	GREASE NIPPLE COMP.	1	
023	669-5495	HEX. HOLE BOLT 6X18/S	2	
032	669-5175	NUT 6 UPS-P	3	
033	668-4639	WASHER 6	3	
060	668-8846	GEAR CASE B	1	
069	668-7306	BLADE COVER	1	
072	669-5475	SPRING NUT 6	2	
075	668-5997	COMBI. BOX SPANNER 10X	1	
076	668-4813	HEX. BAR WRENCH 4MM	1	
077	669-0762	SUPPORT PLATE	1	
082	668-7275	GUARD PLATE	1	
088	669-5547	BALL BEARING 608 ZZ C3	1	
089	669-5484	HEX. HOLE BOLT 4X10S	2	

H40-09

CH78EC(ST) LABELS



REF. NUMBER	PARTS NUMBER	DESCRIPTION	Q'TY	SERIAL NUMBER
001	669-4372	NAME PLATE CH78EC(C)	1	
005	669-4495	STARTER MARK S-START	1	
015	669-4526	CAUTION MARK A	1	