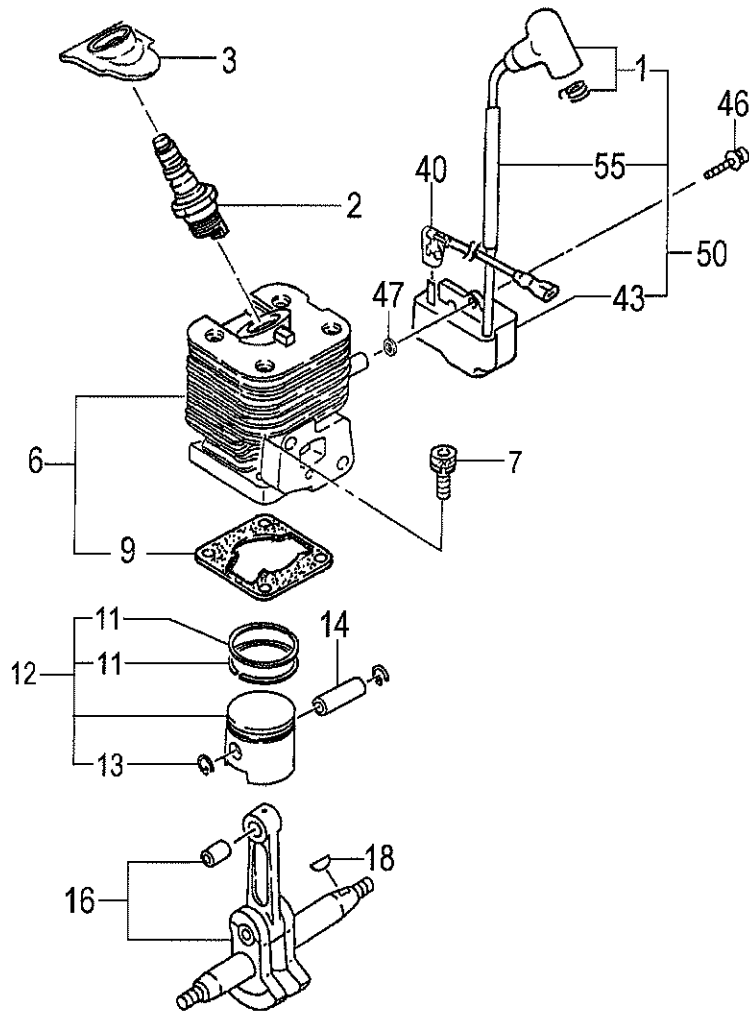


H30

(For Europe)

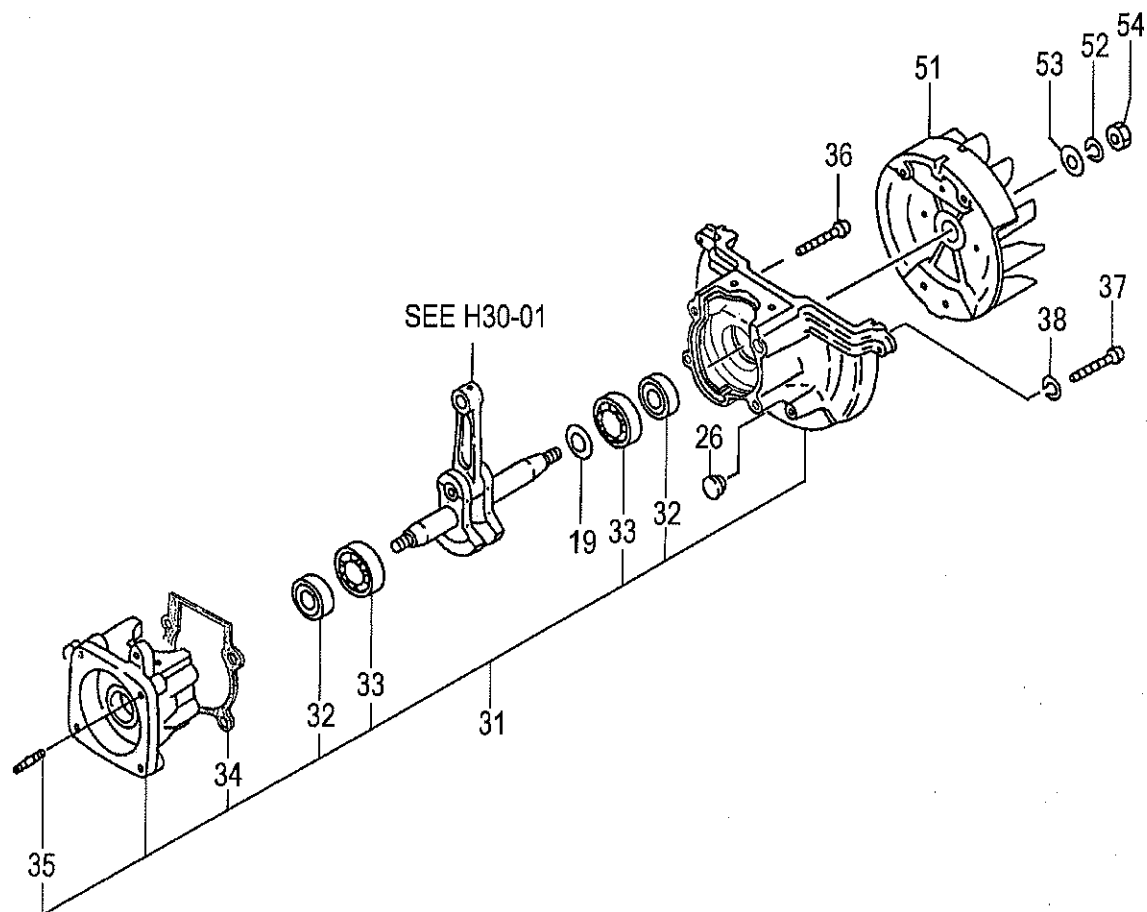
CH78ED2(TP)
Serial No.

H30-01 CYLINDER/PISTON/CRANK SHAFT



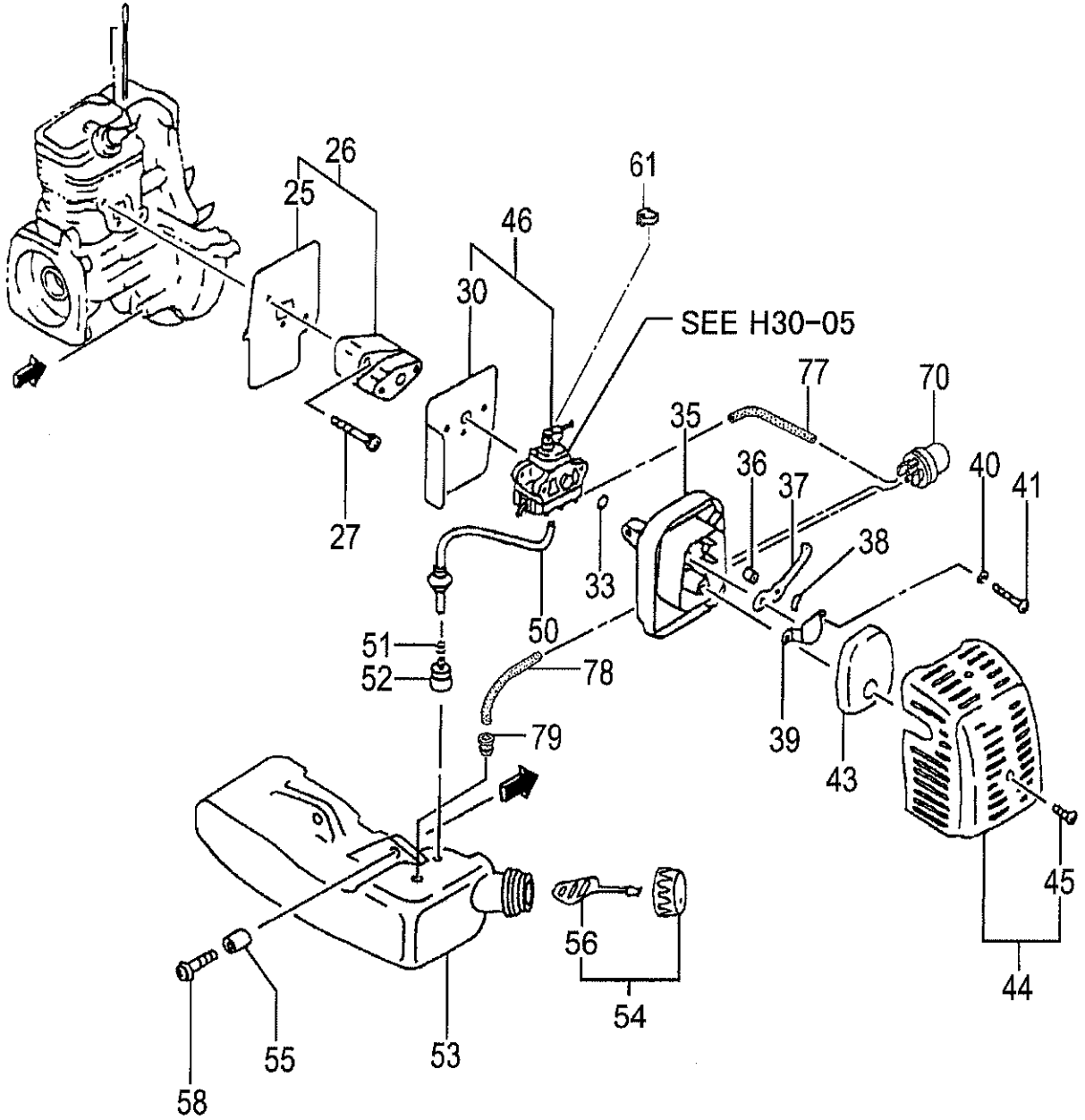
REF. NUMBER	PARTS NUMBER	DESCRIPTION	Q'TY	REMARKS /SERIAL NO.
H30-01 CYLINDER/PISTON/CRANK SHAFT				
001	668-4894	PLUG CAP ASS'Y	1	
002	668-5768	SPARK PLUG, RCJ8Y	1	
003	668-8334	SPARK PLUG RUBBER COVER	1	
006	668-5462	CYLINDER SET	1	
007	668-4586	HEX.HOLE BOLT M5X18/S	4	
009	668-5728	CYLINDER GASKET	1	
011	668-4588	PISTON RING	2	
012	668-5877	PISTON SET	1	
013	668-5078	CIRCLIP	2	
014	668-6011	PISTON PIN	1	
016	668-6176	CRANK SHAFT COMP.	1	
018	668-4899	WOODRUFF KEY 3X13X4.5	1	
040	668-7840	CORD, B 140M	1	
043	668-7703	IGNITION COIL COMP.	1	
046	668-4599	HEX.HOLE BOLT M4X18/WS	2	
047	668-4600	WASHER	2	
050	668-7704	IGNITION COIL ASS'Y	1	
055	668-8316	INSULATOR TUBE	1	

H30-02 CRANK CASE



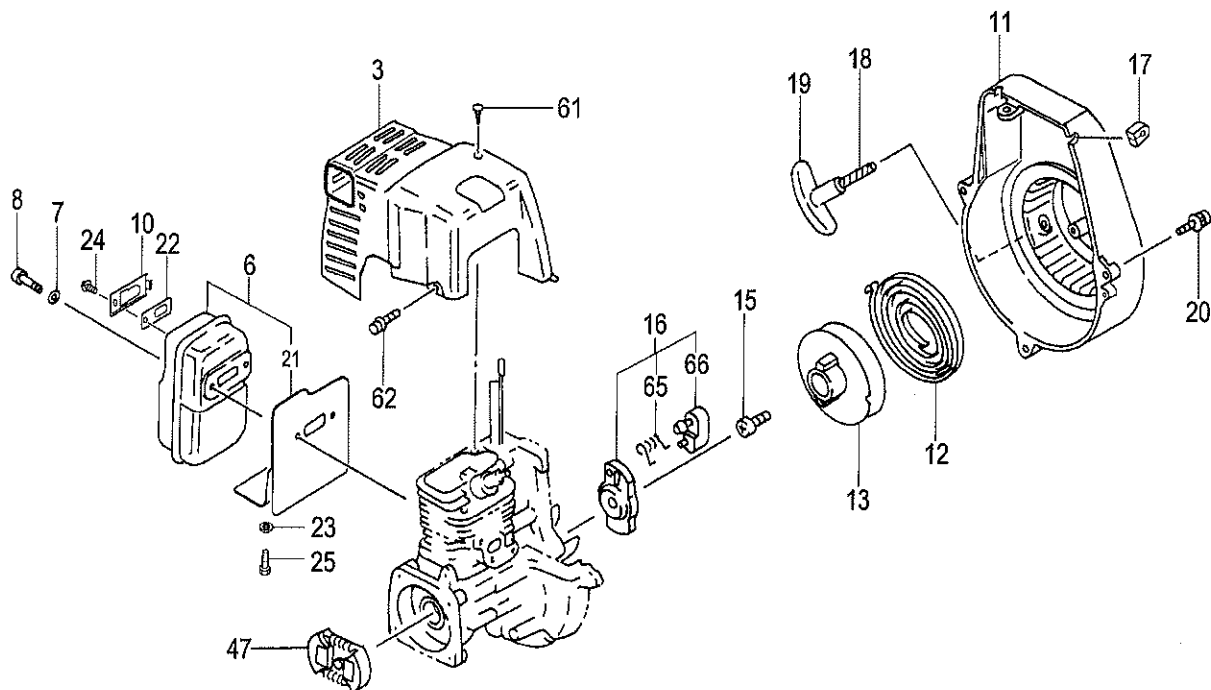
REF. NUMBER	PARTS NUMBER	DESCRIPTION	Q'TY	REMARKS /SERIAL NO.
H30-02 CRANK CASE				
019	668-4604	GEAR SHAFT SHIM 0.20	V	
019	668-4605	GEAR SHAFT SHIM 0.30	V	
026	668-8047	GROMMET	1	
031	668-6529	CRANK CASE ASS'Y	1	
032	668-4607	OIL SEAL TB 12227	2	
033	668-4608	BALL BEARING 6001 C3	2	
034	668-6705	CRANK CASE GASKET	1	
035	668-6771	STUD BOLT 6X22	2	
036	668-4786	HEX. SOCKET HD. BOLT M5X30 S	2	
037	669-5055	HEX. HOLE BOLT 5X45	2	
038	668-4834	SPRING WASHER 5	2	
051	668-7418	MAGNETO ROTOR COMP.	1	
052	668-4971	S. WASHER 8	1	
053	668-4611	WASHER M8	1	
054	668-4612	HEX. NUT M8	1	

H30-03 ENGINE-1



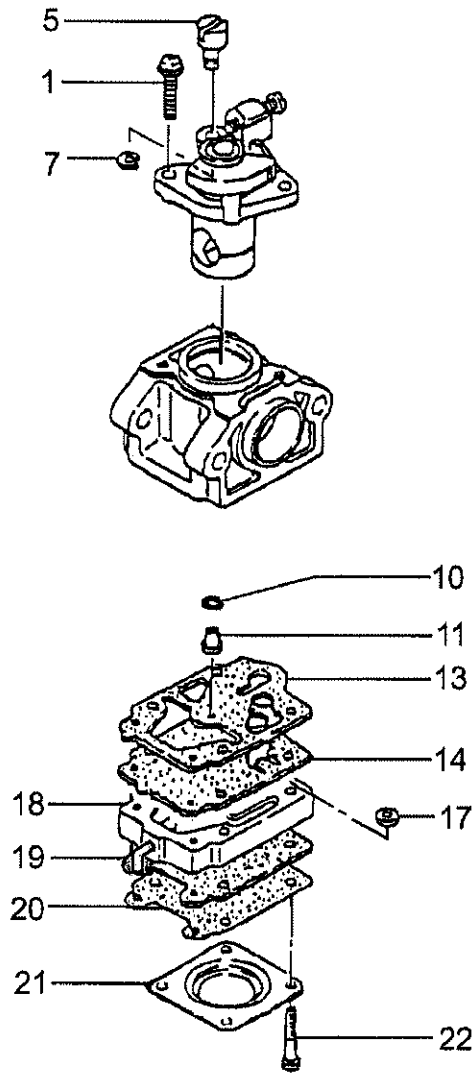
REF. NUMBER	PARTS NUMBER	DESCRIPTION	Q'TY	REMARKS /SERIAL NO.
H30-03 ENGINE-1				
025	668-9874	INTAKE MANIFOLD GASKET	1	
026	668-9937	INSULATOR SET, SPARE	1	
027	669-5515	HEX. HOLE BOLT 5X25WS	2	
030	668-9828	CARBURETOR GASKET	1	
033	669-5670	O-RING P-15	1	
035	669-0119	CLEANER BODY COMP.	1	
036	669-0804	COLLAR 7.5	2	
037	669-1261	CHOKE VALVE	1	
038	668-4658	WAVE WASHER 8	1	
039	669-0843	BLOW OVER CHECK BOARD	1	
040	668-4662	S. WASHER 5	2	
041	668-4660	SCREW M5X60	2	
043	669-0364	CLEANER SPONGE	1	
044	669-0415	CLEANER COVER ASS'Y	1	
045	668-9737	SPECIAL SCREW	1	
046	669-0461	CARBURETOR SET WYL139A	1	
050	668-8174	SHEELD TUBE	1	
051	668-4619	CLIP, 6.3 DIA.	1	
052	668-4620	PUMP FILTER BODY COMP.	1	
053	669-1516	TANK	1	
054	668-5049	TANK CAP ASS'Y	1	
055	669-2244	COLLAR 5.8	2	
056	668-4625	TANK CAP CHAIN	1	
058	669-5505	HEX. HOLE BOLT 5X18PS	2	
061	668-4628	SWIVEL CAP	1	
070	668-5139	PRIMING PUMP COMP.	1	
077	669-2347	FUEL PIPE 2.5X4X80	1	
078	669-2346	FUEL PIPE 2.5X4X70	1	
079	668-4627	RETURN GROMMET	1	

H30-04 ENGINE-2



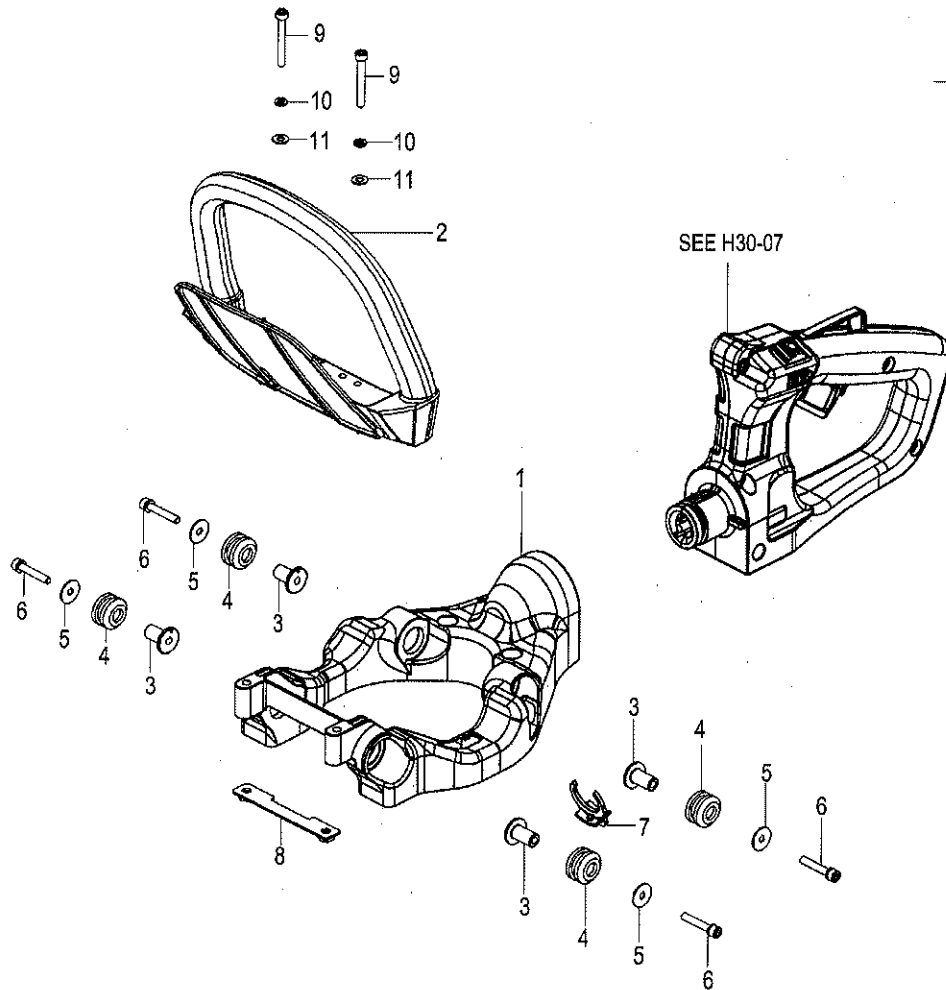
REF. NUMBER	PARTS NUMBER	DESCRIPTION	Q'TY	REMARKS /SERIAL NO.
H30-04 ENGINE-2				
003	669-2772	MUFFLER PROTECTOR	1	
006	669-2455	MUFFLER SET	1	
007	668-4639	WASHER 6	2	
008	669-5086	HEX. HOLE SCREW 6X55	2	
010	669-2646	TAIL PIPE	1	
011	668-6957	FAN CASE COMP.	1	
012	668-4675	RECOIL SPRING	1	
013	669-3066	STARTER ROPE REEL	1	
015	669-3633	SET SCREW	1	
016	669-3405	STARTER PULLEY ASS'Y	1	
017	668-8049	PRIMARY CORD GROMMET	1	
018	669-3168	STARTER ROPE	1	
019	669-3237	STARTER HANDLE	1	
020	668-4682	HEX.HOLE BOLT 4X15/PS	3	
021	669-2718	MUFFLER COVER A COMP.	1	
022	669-2696	MUFFLER ARRESTOR	1	
023	668-4661	WASHER 5	1	
024	669-5471	SCREW 4X8PS	1	
025	669-5332	SCREW 5X8/S	1	
047	668-8494	CLUTCH ASS'Y	1	
061	669-5104	TAPPING SCREW 4.5X10	1	
062	669-5441	BOLT 4X12PS	1	
065	668-4684	STARTER PAWL SPRING	1	
066	669-3319	STARTER PAWL	1	

H30-05 CARBURETOR



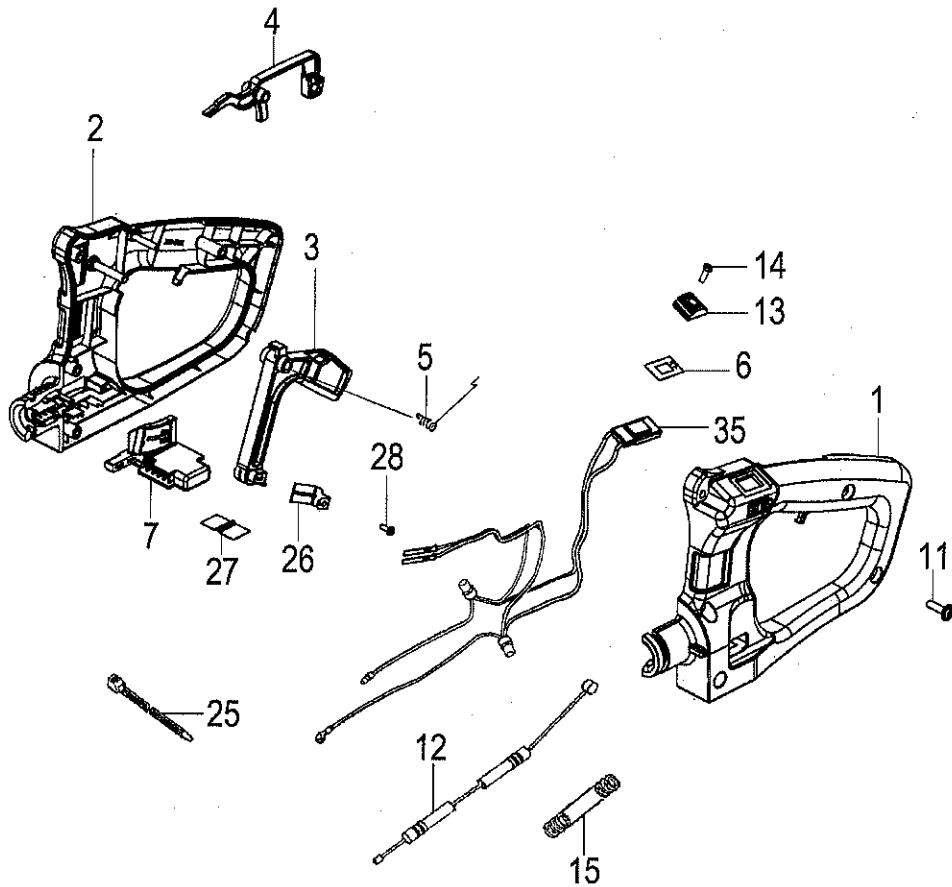
REF. NUMBER	PARTS NUMBER	DESCRIPTION	Q'TY	REMARKS /SERIAL NO.
H30-05 CARBURETOR				
001	668-4698	THROTTLE SET SCREW	2	
005	668-4697	SWIVEL	1	
007	668-4696	STOP RING	1	
010	668-4695	O-RING	1	
011	669-1873	MAIN JET #35	1	
013	669-1457	PUMP GASKET	1	
014	668-4693	PUMP DIAPHRAGM	1	
017	668-4700	INLET SCREEN	1	
018	669-1435	PUMP BODY COMP.	1	
019	668-5220	DIAPHRAGM PACKING	1	
020	669-0830	METERING DIAPHRAGM COMP.	1	
021	668-5222	DIAPHRAGM COVER	1	
022	669-1312	SET SCREW	4	

H30-06 FRONT HANDLE



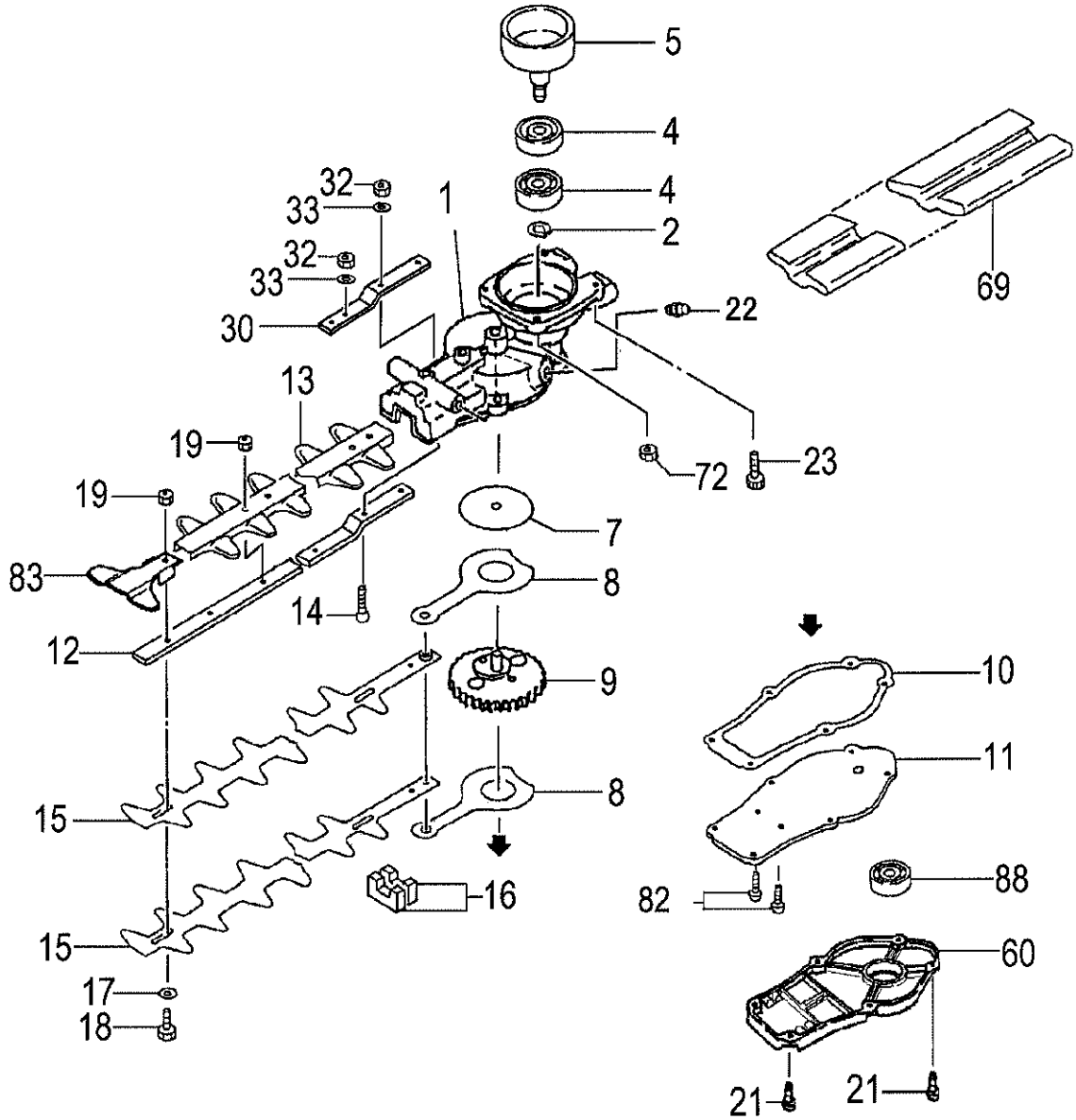
REF. NUMBER	PARTS NUMBER	DESCRIPTION	Q'TY	REMARKS /SERIAL NO.
H30-06 FRONT HANDLE				
001	668-8380	FLAME	1	
002	668-8097	HANDLE	1	
003	668-8485	DAMPER COLLAR B	4	
004	668-8412	DAMPER B	4	
005	668-9680	BRAKE SHAFT WASHER	4	
006	668-4786	HEX. SOCKET HD. BOLT M5X30 S	4	
007	669-1123	CLIP	1	
008	668-6111	HANDLE SUPPORT COMP.	1	
009	669-5054	HEX. HOLE BOLT 5X40	2	
010	668-4834	SPRING WASHER 5	2	
011	668-4918	WASHER M5	2	

H30-07 REAR HANDLE



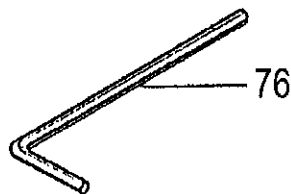
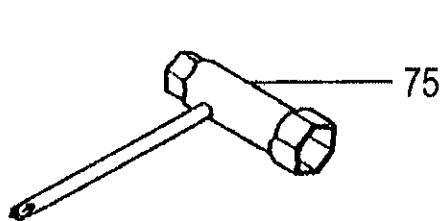
REF. NUMBER	PARTS NUMBER	DESCRIPTION	Q'TY	REMARKS /SERIAL NO.
H30-07 REAR HANDLE				
001	668-6316	HANDLE B	1	
002	668-6280	HANDLE A	1	
003	668-8231	THROTTLE TRIGGER	1	
004	668-8240	SAFETY LEVER OR	1	
005	668-8244	THROTTLE LEVER SPRING	1	
006	669-4588	STOP BUTTON MARK	1	
007	668-8247	LOCK LEVER	1	
011	668-4636	TAPPING SCREW D4.5X16	5	
012	669-3992	THROTTLE WIRE 235+55	1	
013	668-8366	BUTTON STOP	1	
014	668-4913	SCREW 3X10	1	
015	668-7524	PROTECTION TUBE 150L	1	
025	668-8015	CORD CLAMP	1	
026	668-9130	EARTH TERMINAL	1	
027	668-8249	METAL PLATE	1	
028	668-5158	TAPPING SCREW D3X8	1	
035	668-7921	CORD COMP.	1	

H01-08 GEAR CASE/BLADE



REF. NUMBER	PARTS NUMBER	DESCRIPTION	Q'TY	REMARKS /SERIAL NO.
H01-08 GEAR CASE/BLADE				
001	668-8684	GEAR CASE COMP.	1	
002	669-5285	STOP RING C-15, OUTER	1	
004	669-5538	BALL BEARING #6002Z, 32MM/OD	2	
005	668-8570	CLUTCH DRUM COMP.	1	
007	668-6612	GUIDE PLATE	1	
008	668-6811	CAM ROD	2	
009	668-8625	GEAR 2 COMP.	1	
010	668-8909	GEAR CASE GASKET	1	
011	669-2101	GEAR CASE COVER	1	
012	668-7144	CUTTER GUIDE 845L M6	1	
013	668-7289	PROTECTION PLATE	1	
014	669-5075	HEX. HOLE FLUSH BOLT 6X25	2	
015	668-7092	CUTTER A (812L)	2	
016	668-6654	GREASE SEAL A	2	
017	668-7187	WASHER 7 BLACK	6	
018	668-7158	FIXING BOLT A M6	6	
019	669-5170	FLANGE NUT 6	5	
021	668-4595	HEX.HOLE BOLT M4X12/S	6	
022	668-8643	GREASE NIPPLE COMP.	1	
023	669-5495	HEX. HOLE BOLT 6X18/S	2	
030	669-0762	SUPPORT PLATE	1	
032	669-5175	NUT 6 UPS-P	3	
033	668-4639	WASHER 6	3	
060	668-8846	GEAR CASE B	1	
069	668-7306	BLADE COVER	1	
072	669-5475	SPRING NUT 6	2	
082	669-5484	HEX. HOLE BOLT 4X10S	2	
083	668-7275	GUARD PLATE	1	
088	669-5547	BALL BEARING 608 ZZ C3	1	

H01-09 TOOLS/LABELS



REF. NUMBER	PARTS NUMBER	DESCRIPTION	Q'TY	REMARKS /SERIAL NO.
H01-09 TOOLS/LABELS				
001	669-4497	STARTER MARK HITACHI	1	
003	669-4751	SYMBOL MARK CH78ED2(TP)	1	
075	668-5997	COMBI. BOX SPANNER 10X19 ,PLU	1	
076	668-4813	HEX. BAR WRENCH 4MM	1	