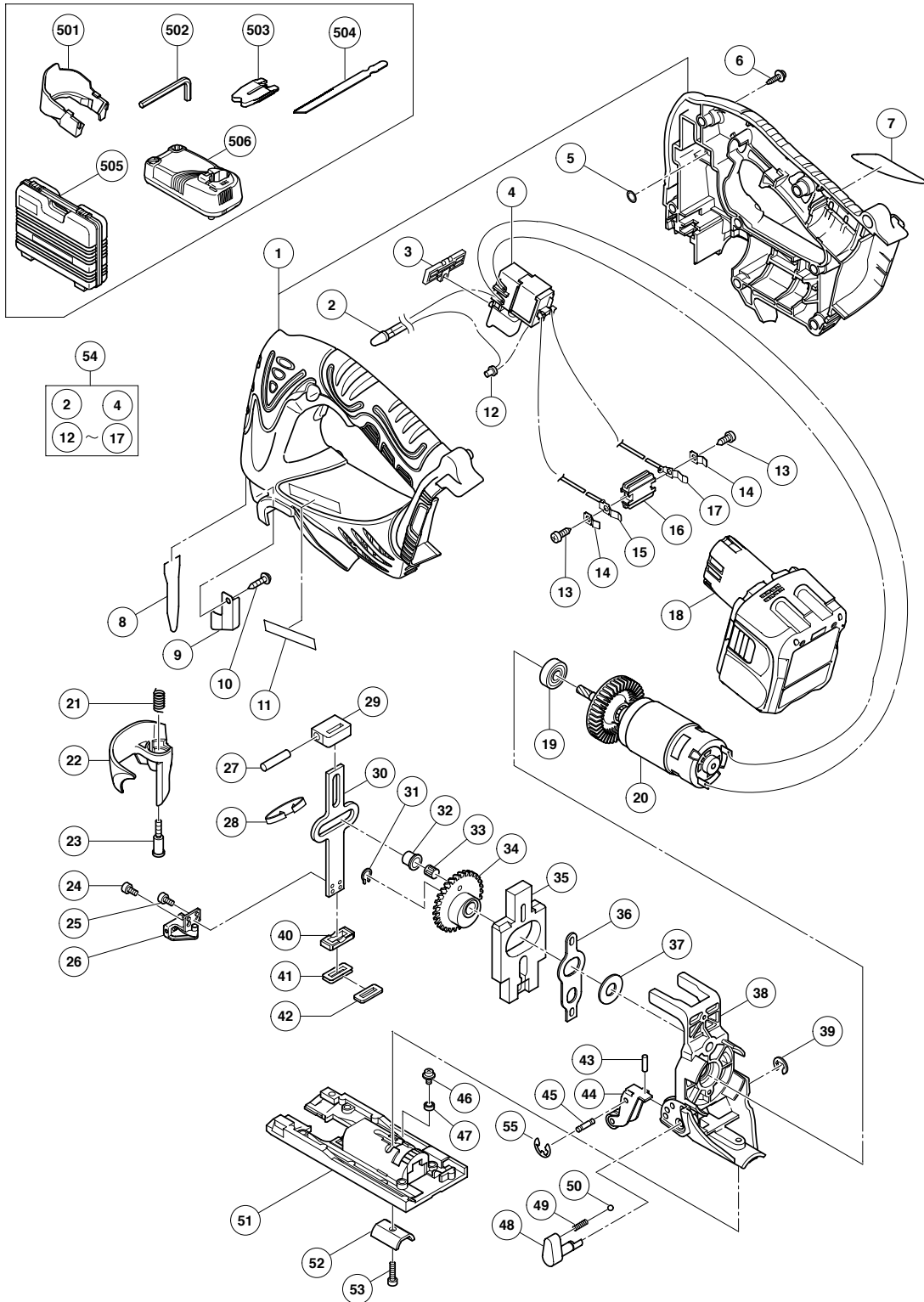


ELECTRIC TOOL PARTS LIST

■ CORDLESS JIG SAW Model CJ 14DL

2007 · 7 · 25

(E1)



PARTS

CJ 14DL

| ITEM NO. | CODE NO. | DESCRIPTION | NO. USED | REMARKS |
|----------|----------|--|----------|-------------------------|
| 1 | 328-350 | HOUSING (A).(B) SET | 1 | |
| 2 | 328-336 | LED | 1 | |
| 3 | 319-760 | PUSHING BUTTON | 1 | |
| 4 | 328-335 | DC-SPEED CONTROL SWITCH | 1 | |
| 5 | 984-528 | O-RING (P-6) | 4 | |
| 6 | 301-653 | TAPPING SCREW (W/FLANGE) D4X20 (BLACK) | 8 | |
| 7 | | NAME PLATE | 1 | |
| 8 | 328-349 | GUARD BAR | 1 | |
| 9 | 321-592 | FENCE | 1 | |
| 10 | 984-327 | TAPPING SCREW (W/SP. WASHER) D3X8 | 1 | |
| 11 | | HITACHI LABEL | 1 | |
| 12 | 959-140 | CONNECTOR 50091 (10 PCS.) | 1 | |
| 13 | 958-715 | TAPPING SCREW D4X10 | 2 | |
| 14 | 996-118 | HOLDER SPRING | 2 | |
| 15 | 322-995 | TERMINAL | 1 | |
| 16 | 320-997 | TERMINAL PIECE | 1 | |
| 17 | 323-003 | TERMINAL | 1 | |
| * 18 | 326-824 | BATTERY BCL 1430 (EUROPE, AUS, NZL) | 2 | |
| * 18 | 326-823 | BATTERY BCL 1430 (USA, CAN) | 1 | |
| 19 | 608-VVM | BALL BEARING 608VVC2PS2L | 1 | |
| * 20 | 328-333 | MOTOR DC 14.4V | 1 | INCLUD. 19 |
| * 20 | 328-639 | MOTOR DC 14.4V | 1 | INCLUD. 19 FOR USA, CAN |
| 21 | 321-580 | LEVER SPRING | 1 | |
| 22 | 328-347 | LEVER | 1 | |
| 23 | 328-348 | LEVER BOLT | 1 | |
| 24 | 325-241 | SEAL LOCK HEX. SOCKET HD. BOLT M3X8 | 1 | |
| 25 | 325-077 | SEAL LOCK HEX. SOCKET HD. BOLT M3X6 | 1 | |
| 26 | 325-076 | BLADE HOLDER | 1 | |
| 27 | 983-564 | PIN D6 | 1 | |
| 28 | 325-071 | PLATE SPRING | 1 | |
| 29 | 325-070 | PLUNGER HOLDER (A) | 1 | |
| 30 | 328-343 | PLUNGER | 1 | |
| 31 | 994-251 | RETAINING RING FOR D7 SHAFT | 1 | |
| 32 | 328-342 | CONNECTING PIECE | 1 | |
| 33 | 325-242 | NEEDLE BEARING | 1 | |
| 34 | 328-341 | GEAR | 1 | |
| 35 | 328-340 | BALANCE WEIGHT | 1 | |
| 36 | 328-339 | ORBITAL CAM | 1 | |
| 37 | 957-540 | WASHER (A) | 1 | |
| 38 | 328-328 | GEAR HOLDER | 1 | |
| 39 | 673-489 | RETAINING RING (E-TYPE) FOR D5 SHAFT | 1 | |
| 40 | 328-344 | PLUNGER HOLDER (B) | 1 | |
| 41 | 328-346 | PACKING COVER | 1 | |
| 42 | 328-345 | PACKING | 1 | |
| 43 | 328-329 | NEEDLE ROLLER | 1 | |
| 44 | 328-330 | ROLLER HOLDER | 1 | |
| 45 | 983-545 | NEEDLE ROLLER | 3 | |
| 46 | 315-500 | MACHINE SCREW (W/WASHER) M4X8 (BLACK) | 1 | |
| 47 | 321-576 | RUBBER BUSHING | 1 | |
| 48 | 328-332 | CHANGE KNOB | 1 | |
| 49 | 982-454 | SPRING (C) | 1 | |

