

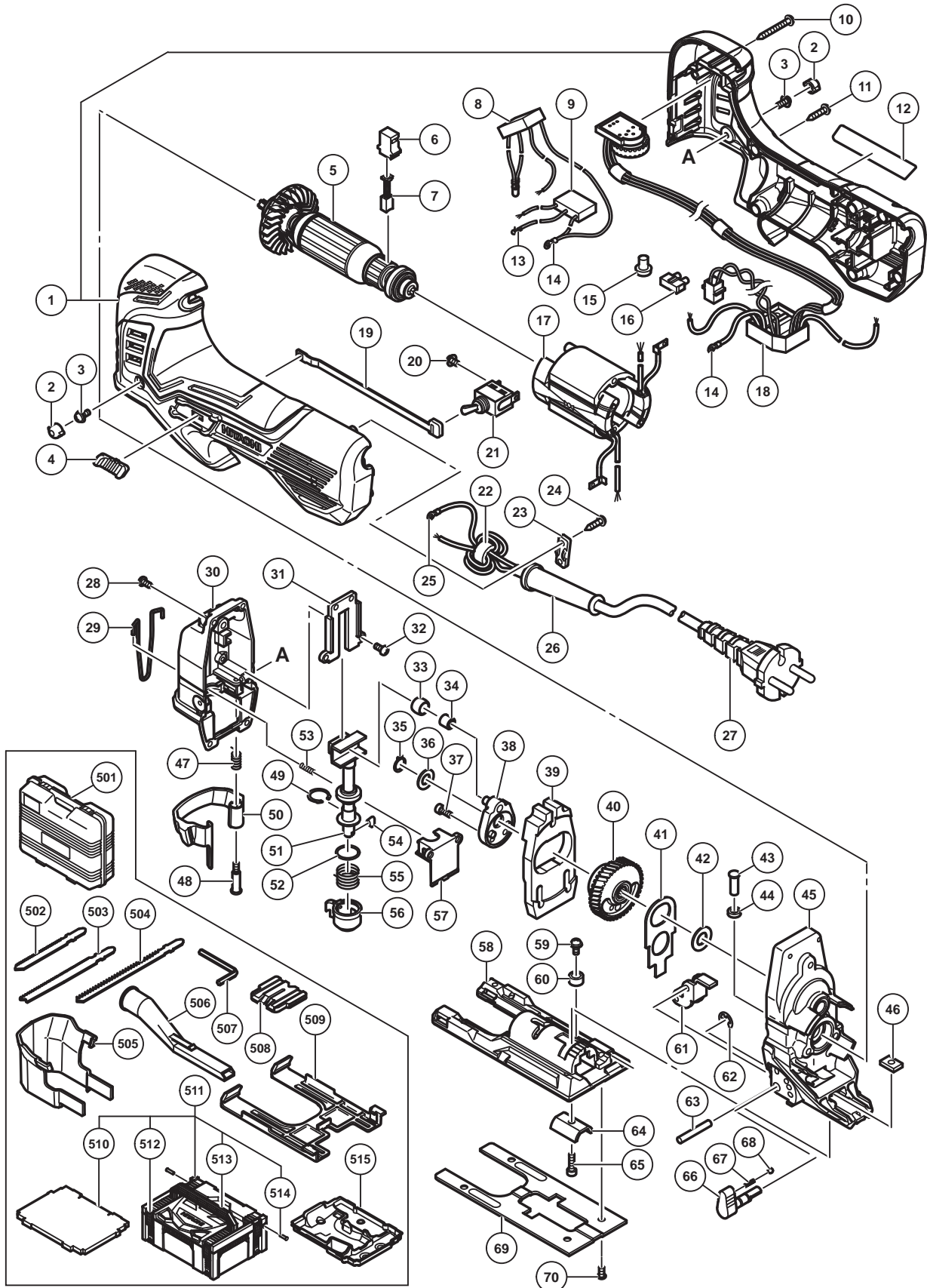
ELECTRIC TOOL PARTS LIST

JIG SAW

2015 · 6 · 22

Model CJ 160VA

(E1)



PARTS

CJ 160VA

ITEM NO.	CODE NO.	DESCRIPTION	NO. USED	REMARKS
1	339022	HOUSING SET	1	
2	339294	RUBBER COVER	2	
3	321577	SEAL LOCK SCREW (W/WASHER) M4 X 10	2	
4	339024	SLIDE KNOB	1	
*	5	361014U	ARMATURE SET 120V	1
*	5	361014E	ARMATURE SET 220V-240V	1
6	955203	BRUSH HOLDER	2	
7	999041	CARBON BRUSH (1 PAIR)	2	
*	8	339030	LED (A) 110V-120V	1
*	8	339031	LED (A) 220V-240V	1
*	9	994273	NOISE SUPPRESSOR	1 EXCEPT FOR USA,CAN
10	306664	TAPPING SCREW (W/FLANGE) D4 X 40 (BLACK)	1	
11	301653	TAPPING SCREW (W/FLANGE) D4 X 20 (BLACK)	6	
12		NAME PLATE	1	
*	13	302488	EARTH TERMINAL	1 EXCEPT FOR USA,CAN
14	960356	TERMINAL (A) M3.5 (10 PCS.)	2	
15	959140	CONNECTOR 50091 (10 PCS.)	1	
16	938307	PILLAR TERMINAL	1	
*	17	340915D	STATOR 120V-127V	1
*	17	340915E	STATOR 220V-240V	1
*	18	339028	CONTROLLER 110V-120V	1
*	18	339029	CONTROLLER 220V-240V	1
19	339023	SLIDE BAR	1	
20	305499	MACHINE SCREW (W/WASHER) M3.5 X 6	2	
21	330698	SNAP SWITCH (W/SCREW)	1	INCLUD.20
*	22	334379	FERRITE CORE	1 EXCEPT FOR USA,CAN
23	960266	CORD CLIP	1	
24	984750	TAPPING SCREW (W/FLANGE) D4 X 16	2	
25	980063	TERMINAL	1	
26	953327	CORD ARMOR D8.8	1	
*	27	500247Z	CORD	1
*	27	500439Z	CORD	1 FOR AUS
*	27	500234Z	CORD	1 FOR SAF
*	27	500240Z	CORD	1 FOR USA,CAN
28	949217	MACHINE SCREW M4 X 12 (10 PCS.)	4	
29	339016	GUARD BAR	1	
30	339010	UPPER COVER	1	
31	339009	GUIDE PLATE	1	
32	326573	SEAL LOCK SCREW M4 X 10	4	
33	339007	CONNECTING PIECE	1	
34	940917	NEEDLE BEARING	1	
35	940079	RETAINING RING FOR D8 SHAFT	1	
36	963351	WASHER (B)	1	
37	983162	SEAL LOCK HEX. SOCKET HD. BOLT M4 X 12	2	
38	339285	WEIGHT HOLDER	1	
39	339000	BALANCE WEIGHT	1	
40	338993	GEAR	1	
41	338999	ORBITAL CAM	1	
42	957540	WASHER (A)	1	
43	339019	ORBITAL PIN	1	

