

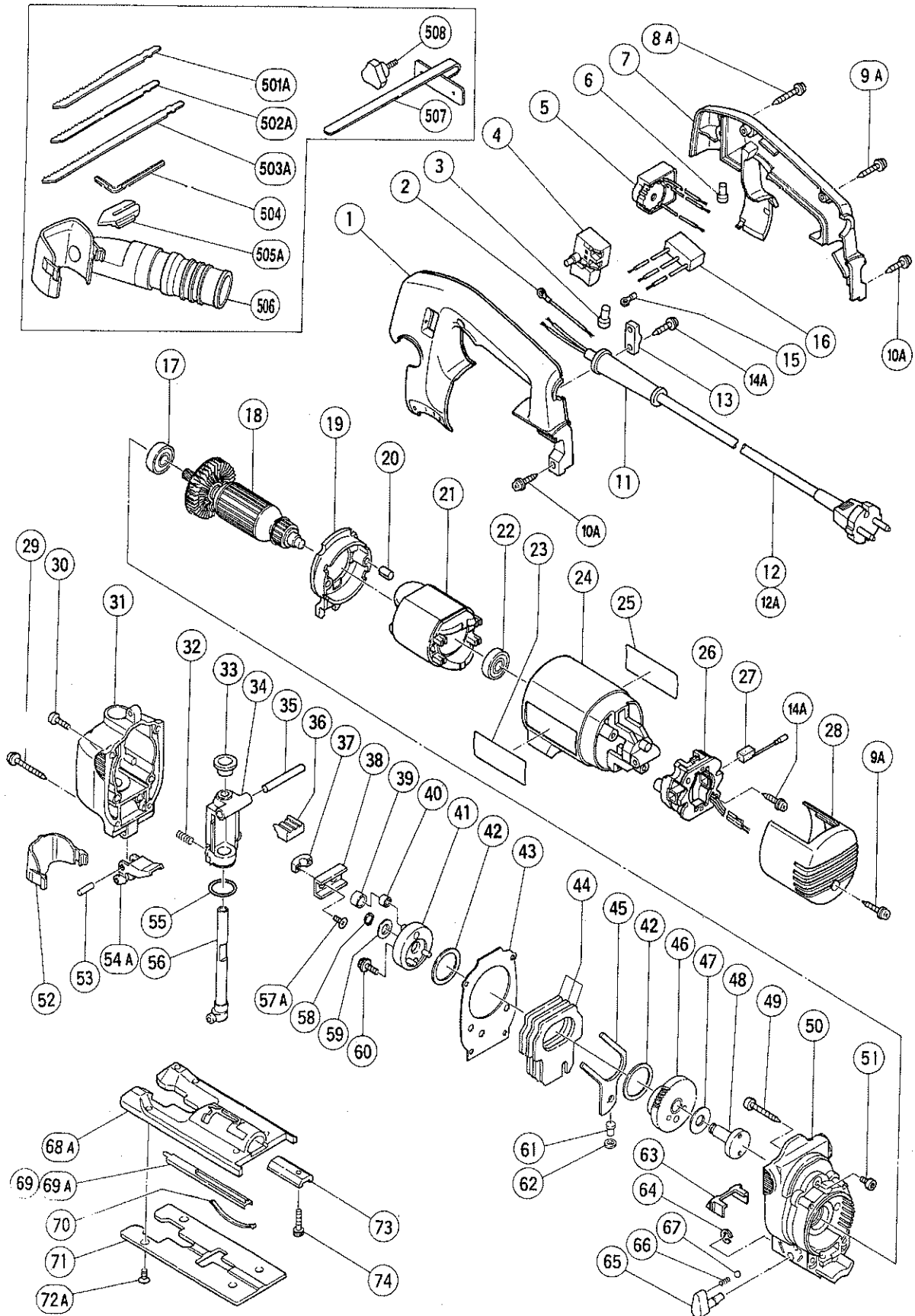
ELECTRIC TOOL PARTS LIST

■ JIG SAW

Model CJ 65V2

1997.5.30

(E3)



PARTS

CJ 65V2

ITEM NO.	CODE NO.	DESCRIPTION	NO. USED	REMARKS
1	305-800	HANDLE (A)	1	
2	305-783	INTERNAL WIRE	1	
3	959-141	CONNECTOR 50092 (10 PCS.)	1	
* 4	305-409	SWITCH (A) (1P PLUG IN TYPE) W/O LOCK	1	
* 4	305-791	SWITCH (C) (2P SCREW TYPE) W/LOCK	1	FOR NZL,AUS,GBR,SAF,ITA,FRG,FRA,HOL,DEN FIN,SWE,AUT,NOR,USA,CAN
* 5	305-787	CONTROLLER CIRCUIT 100V - 115V	1	
* 5	305-788	CONTROLLER CIRCUIT 220V - 240V	1	
* 5	305-789	CONTROLLER CIRCUIT 220V - 240V	1	FOR NZL,GBR,SAF,ITA,FRG,FRA,HOL,DEN,FIN SWE,AUT,NOR,SUI
* 5	305-790	CONTROLLER CIRCUIT 110V - 115V	1	FOR GBR,USA,CAN
6	959-140	CONNECTOR 50091 (10 PCS.)	2	
7	305-801	HANDLE (B)	1	
8A	307-028	TAPPING SCREW (W/FLANGE) D4X25 (BLACK)	1	
9A	301-653	TAPPING SCREW (W/FLANGE) D4X20 (BLACK)	3	
10A	305-812	TAPPING SCREW (W/FLANGE) D4X16 (BLACK)	2	
* 11	953-327	CORD ARMOR D8.8	1	
* 11	938-051	CORD ARMOR D10.1	1	
* 12	500-201Z	CORD	1	(CORD ARMOR D10.1)
* 12	500-409Z	CORD	1	(CORD ARMOR D8.8) FOR INA,ITA,FRG,FRA,HOL, DEN,FIN,AUT,NOR
* 12	500-226Z	CORD	1	(CORD ARMOR D8.8) FOR NZL,AUS
* 12	500-247Z	CORD	1	(CORD ARMOR D10.1) FOR SWE
* 12	500-240Z	CORD	1	(CORD ARMOR D8.8) FOR USA,CAN
* 12	500-423Z	CORD	1	(CORD ARMOR D8.8) FOR SIN,KUW
* 12	500-231Z	CORD	1	(CORD ARMOR D8.8) FOR SAF
* 12	500-245Z	CORD	1	(CORD ARMOR D10.1) FOR SYR
* 12	500-395Z	CORD	1	(CORD ARMOR D8.8) FOR SUI
* 12A	500-436Z	CORD	1	(CORD ARMOR D8.8) FOR GBR
13	960-266	CORD CLIP	1	
14A	305-812	TAPPING SCREW (W/FLANGE) D4X16 (BLACK)	2	
* 15	980-063	TERMINAL	2	FOR NZL,GBR,SAF,ITA,FRG,FRA,HOL,DEN,FIN SWE,AUT,NOR
* 16	994-273	NOISE SUPPRESSOR	1	FOR NZL,GBR,SAF,ITA,FRG,FRA,HOL,DEN,FIN SWE,AUT,NOR
* 16	994-212	NOISE SUPPRESSOR	1	FOR SUI
17	608-DDW	BALL BEARING 608DDW	1	
* 18	360-277C	ARMATURE 110V - 115V	1	
* 18	360-277E	ARMATURE 220V - 230V	1	
* 18	360-277F	ARMATURE 240V	1	
19	305-782	FAN GUIDE ASS'Y	1	INCLUD.20
20	994-343	RUBBER BUSHING	2	
* 21	340-249C	STATOR 110V - 115V	1	
* 21	340-249E	STATOR 220V - 230V	1	
* 21	340-249F	STATOR 240V	1	
22	608-DDM	BALL BEARING 608DDMC2EPS2S	1	
23		HITACHI LABEL	1	
24	305-784	HOUSING	1	
25		NAME PLATE	1	
* 26	305-786	WIRING BLOCK (C)	1	

* : ALTERNATIVE PARTS

PARTS

CJ 65V2

ITEM NO.	CODE NO.	DESCRIPTION	NO. USED	REMARKS
* 26	305-785	WIRING BLOCK (C)	1	FOR NZL,GBR,SAF,ITA,FRG,FRA,HOL,DEN,FIN SWE,AUT,NOR,SUI
27	999-046	CARBON BRUSH (AUTO STOP TYPE) (1 PAIR)	2	
28	305-799	TAIL COVER	1	
29	305-736	TAPPING SCREW (W/FLANGE) D4X65	2	
30	949-219	MACHINE SCREW M4X16 (10 PCS.)	2	
31	305-762	UPPER COVER	1	
32	305-752	SPRING	2	
33	305-746	RUBBER PACKING	1	
34	305-745	PLUNGER HOLDER ASS'Y	1	INCLUD.55
35	961-181	PIN D6X47	1	
36	305-751	RUBBER CUSHION	1	
37	305-748	CONNECTOR HOLDER	1	
38	305-747	CONNECTOR	1	
39	940-916	CONNECTING PIECE	1	
40	940-917	NEEDLE BEARING NTN K6X9X8T2	1	
41	305-742	WEIGHT HOLDER	1	
42	963-349	WASHER (A)	2	
43	305-743	PACKING	1	
44	305-741	BALANCE WEIGHT (3 PCS.)	3	
45	305-738	ORBITAL CAM	1	
46	305-737	GEAR	1	
47	957-540	WASHER (A)	1	
48	305-734	SPINDLE	1	
49	954-014	TAPPING SCREW D4X30	2	
50	305-733	GEAR COVER	1	
51	305-735	HEX. SOCKET HD. BOLT (W/FLANGE) M4X6	2	
52	305-772	CHIP COVER	1	
53	305-592	NEEDLE D5X19.8	1	
54A	305-754	GUIDE ROLLER	1	
55	873-095	O - RING (P - 16)	1	
56	305-750	PLUNGER	1	
57A	305-749	SEAL LOCK FLAT HD. SCREW M4X10	2	
58	940-079	RETAINING RING FOR D8 SHAFT	1	
59	963-351	WASHER (B)	1	
60	305-755	HEX. SOCKET HD. BOLT (W/FLANGE) M5X12	1	
61	305-739	ORBITAL PIN	1	
62	305-740	FELT	1	
63	305-753	SHOOTER	1	
64	673-489	RETAINING RING (E - TYPE) FOR D5 SHAFT	1	
65	305-744	CHANGE KNOB	1	
66	982-454	SPRING (C)	1	
67	959-155	STEEL BALL D3.97 (10 PCS.)	1	
68A	306-893	BASE	1	
69	305-761	SPACER	1	TILL 1.1993
69A	306-895	SPACER	1	SINCE 2.1993
70	305-760	PLATE SPRING	2	
71	305-759	SUB BASE (A)	1	
72A	309-175	NYLOCK FLAT HD.SCREW M5X10	4	
73	963-371	BASE LOCKER	1	
74	306-080	HEX. SOCKET HD. BOLT (W/FLANGE) M4X20	1	

STANDARD ACCESSORIES

CJ 65V2

ITEM NO.	CODE NO.	DESCRIPTION	NO. USED	REMARKS
501A		BLADE NO.42	1	
502A		BLADE NO.46	1	
503A		BLADE NO.41	1	
504	943-277	HEX. BAR WRENCH 3MM	1	
505A	306-363	SPLINTER GUARD (5 PCS.)	1	
* 506	306-054	DUST COLLECTOR	1	FOR GBR,FRG
* 507	305-955	GUIDE ASS'Y	1	SINCE 10.1993 INCLUD.508 FOR FRA
* 508	307-767	KNOB SCREW M5X10	1	SINCE 10.1993 FOR FRA

OPTIONAL ACCESSORIES

ITEM NO.	CODE NO.	DESCRIPTION	NO. USED	REMARKS
601	963-390	JIG SAW BLADES (A) NO.11 (10 PCS.)	1	
602	963-392	JIG SAW BLADES (A) NO.15 (10 PCS.)	1	
603	963-395	JIG SAW BLADES (A) NO.22 (10 PCS.)	1	
604	950-482	JIG SAW BLADES NO.95 FOR STAINLESS(5PCS)	1	
605	950-480	JIG SAW BLADES NO.96 FOR STAINLESS(5PCS)	1	
606	963-400	JIG SAW BLADES NO.97 FOR STAINLESS(5PCS)	1	
607	305-955	GUIDE ASS'Y	1	INCLUD.609
608	305-956	CIRCULAR GUIDE ASS'Y	1	INCLUD.609
609	307-767	KNOB SCREW M5X10	1	
610	305-780	SUB BASE (B)	1	
611	305-781	CASE	1	
612	306-054	DUST COLLECTOR	1	
613	963-391	JIG SAW BLADES (A) NO.12 (10 PCS.)	1	
614	963-393	JIG SAW BLADES (A) NO.16 (10 PCS.)	1	
615	963-394	JIG SAW BLADES (A) NO.21 (10 PCS.)	1	

*: ALTERNATIVE PARTS