



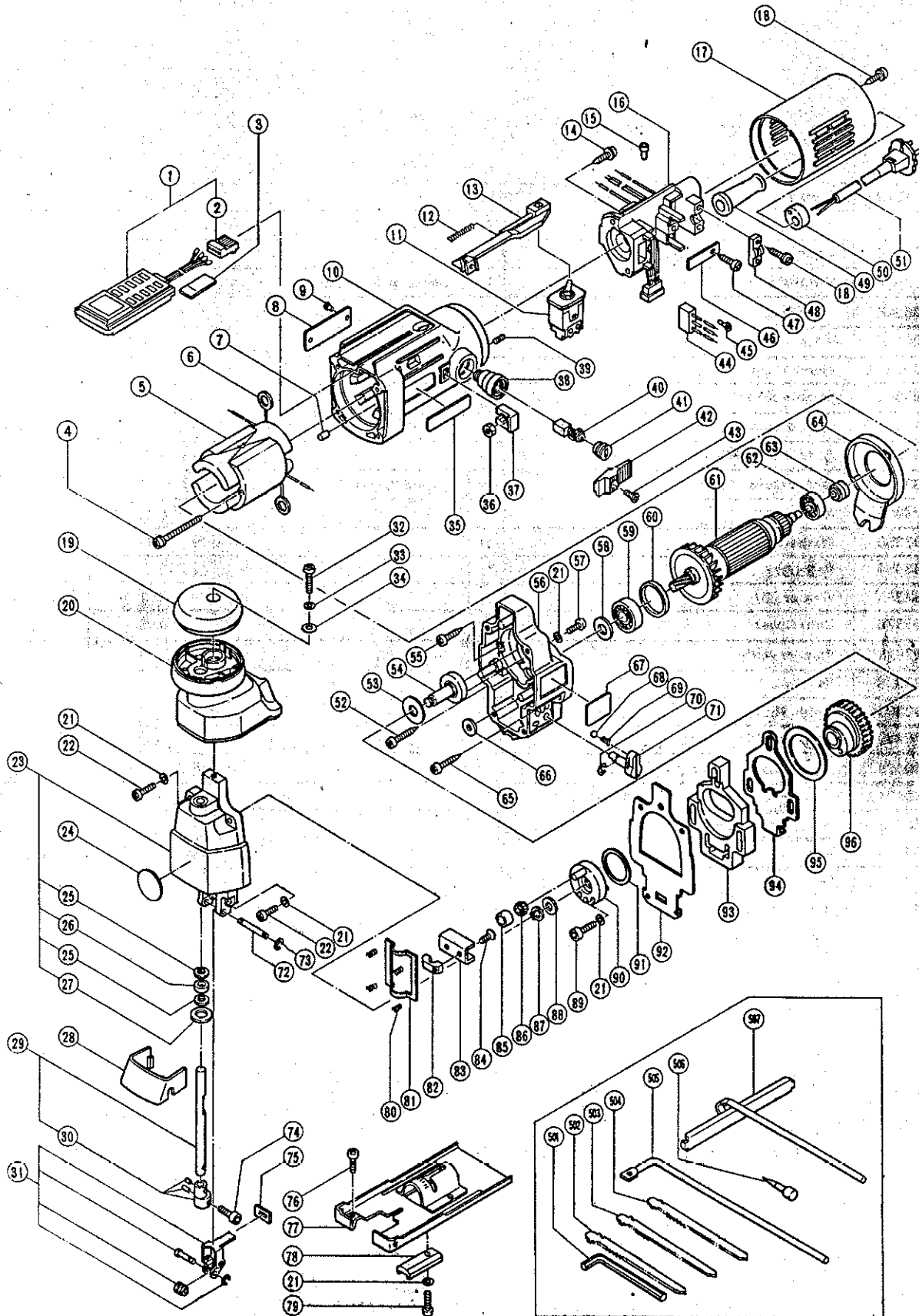
# ELECTRIC TOOL PARTS LIST

**ELECTRONIC JIG SAW**

Type **CJ65VB**

1983·6·25

**CJ65VB(E1)**



## PARTS

CJ65VB(E1)

Item No.	Code No.	Parts Name	Q'ty	Remarks
1	—	Display Panel Ass'y	1	See alternative parts
2	986546	Receptacle Housing	1	
3	984199	Fiber Plate (C)	2	
4	986541	⊕ Hd. Machine Screw M4 x 60	2	w/Spring Lock Washer
5	—	Stator Ass'y	1	See alternative parts
6	930630	Brush Terminal Ass'y	2	
7	931701	Bearing Lock	1	
8	—	Name Plate	1	
9	932642	Rivet D2.5 x 2.8	2	(10 pcs.)
10	986540	Housing Ass'y	1	includ. 38, 39
11	963633	Switch	1	
12	963632	Spring (B)	1	
13	986543	Slide Bar	1	
14	982095	⊕ Hd. Tapping Screw M4 x 20	2	w/Washer
15	939310Z	Connector (50091)	1~2	(10 pcs.)
16	—	Control Circuit Ass'y	1	See alternative parts
17	986545	Tail Cover	1	
18	930446	⊕ Hd. Tapping Screw M4 x 16	4	w/Washer
19	963630Z	Handle Cap	1	
20	986542	Handle Knob	1	
21	949453Z	Spring Lock Washer	11	for M4 (10 pcs.)
22	949219Z	⊕ Hd. Machine Screw M4 x 16	4	(10 pcs.)
23	963627Z	Upper Cover Ass'y	1	includ. 25 ~ 27
24	962994	Mark Plate	1	
25	963356	Washer (C)	2	
26	963354	Felt (A)	1	
27	963355	Washer (D)	1	
28	963376	Chip Cover	1	
29	963628Z	Plunger Ass'y	1	includ. 30
30	963386	Set Ring Ass'y	1	includ. 74
31	963363	Guide Roller Ass'y	1	
32	949239Z	⊕ Hd. Machine Screw M5 x 16	1	(10 pcs.)
33	949454Z	Spring Lock Washer	1	for M5 (10 pcs.)
34	949424Z	Washer	1	for M5 (10 pcs.)
35	950565	HITACHI Label	1	
36	949554Z	Nut M4	2	(10 pcs.)
37	963341	Nut Cover	2	
38	937846	Brush Holder	2	
39	963383	Hexagon Socket Hd. Set Screw M4 x 8	2	
40	999021	Carbon Brush	2	(2 pcs.)
41	937847	Brush Cap	2	
42	938312	Slide Knob (B)	1	
43	949323Z	Flat Hd. Screw M4 x 12	1	(10 pcs.)
44	—	Noise Suppressor	1	See alternative parts
45	—	Terminal	1	See alternative parts
46	963634Z	Switch Plate	1	
47	954004	⊕ Hd. Tapping Screw M4 x 16	1	
48	960266	Cord Clip	1	
49	—	Cord Armor	1	See alternative parts
50	940928	Wrench Holder	1	
51	—	Cord	1	See alternative parts
52	958705	⊕ Hd. Tapping Screw M4 x 25	1	
53	957540	Washer (A)	1	

## PARTS

CJ65VB(E1)

Item No.	Code No.	Parts Name	Q'ty	Remarks
54	963343	Spindle	1	
55	954015	⊕Hd. Tapping Screw M4 x 35	2	
56	963342	Gear Cover Ass'y <b>963396</b>	1	
57	949215Z	⊕Hd. Machine Screw M4 x 8	4	(10 pcs.)
58	958246	Felt Packing	1	
59	939465	Ball Bearing (629DD)	1	
60	957754	Rubber Ring	1	
61	—	Armature Ass'y	1	See alternative parts
62	939291	Ball Bearing (608VVC2)	1	
63	984192Z	Magnet Ass'y	1	
64	963374	Fan Guide	1	
65	956384	⊕Hd. Tapping Screw M4 x 20	1	
66	963642Z	Washer	2	
67	963380	Orbital Label	1	
68	939363Z	Steel Ball D3.969	1	(10 pcs.)
69	982454	Spring (C)	1	
70	673489	E-Type Retaining Ring	1	for Shaft 5 mm
71	963368	Change Knob	1	
72	963366	Holder Pin	1	
73	874759	E-Type Retaining Ring	2	for Shaft 2.5 mm
74	<del>972663</del>	Hexagon Socket Hd. Bolt M4 x 8	1	<b>949911</b>
75	963367	Felt (B)	1	
76	949235Z	⊕Hd. Machine Screw M5 x 8	1	(10 pcs.)
77	963370	Base Ass'y	1	
78	963371	Base Locker	1	
79	949699Z	Hexagon Socket Hd. Bolt M4 x 20	1	(10 pcs.)
80	963362	Spring	4	
81	963361	Plate	1	
82	963359	Connector Holder	1	
83	963358	Connector	1	
84	963360	Flat Hd. Screw M4 x 8	2	made of stainless
85	940916	Connecting Piece	1	
86	940917	Needle Roller	1	
87	940079	C-Type Retaining Ring	1	for Shaft 8 mm
88	963351	Washer (B)	1	
89	876325	Hexagon Socket Hd. Bolt M4 x 12	2	
90	963350	Weight Holder Ass'y	1	
91	963349	Washer (A)	1	
92	963352	Packing	1	
93	963348	Balance Weight	1	
94	963641Z	Orbital Cam (C)	1	
95	963347	Washer (A)	1	
96	963892Z	Gear Ass'y	1	

## ALTERNATIVE PARTS

Item No.	Code No.	Parts Name	Q'ty	Remarks
1	986550	Display Panel Ass'y (B)	1	includ. 2
	986549	Display Panel Ass'y (B)	1	for F.R. Germany, Austria, Switzerland includ. 2
5	986547C	Stator Ass'y 115V	1	includ. 6
	986547E	Stator Ass'y 220V ~ 230V	1	includ. 6

ALTERNATIVE PARTS

CJ65VB(E1)

Item No.	Code No.	Parts Name	Q'ty	Remarks
5	986547G	Stator Ass'y 220V ~ 230V	1	for N.Z., F.R. Germany, France, Holland, Denmark, Norway, Switzerland, includ. 6
	986553G	Stator Ass'y 220V ~ 230V	1	for S. Africa, Italy, Finland, Sweden includ. 6
	986547F	Stator Ass'y 240V	1	for Australia
	986553J	Stator Ass'y 110V	1	for U.K.
	986553H	Stator Ass'y 240V	1	for U.K.
16	986552	Control Circuit Ass'y 110V ~ 127V	1	
	986551	Control Circuit Ass'y 220V ~ 240V	1	
44	981372	Noise Suppressor	1	for N.Z., U.K., S. Africa, Italy, F.R. Germany, France, Denmark, Sweden, Norway
	971828Z	Noise Suppressor	1	for Holland, Finland, Austria
	982043Z	Noise Suppressor	1	for Switzerland
45	939314Z	Terminal (50051)	1	(for Noise Suppressor) (10 pcs.)
49	953327	Cord Armor D8.8	1	
	938051	Card Armor D10.1	1	
51	500231Z	Cord 110V ~ 240V	1	for U.K., S. Africa (Cord Armor D8.8)
	500240Z	Cord 115V	1	for U.S.A., Canada (Cord Armor D8.8)
	500223Z	Cord 230V	1	for Singapore (Cord Armor D10.1)
	500245Z	Cord 220V	1	for Syria (Cord Armor D10.1)
	500234Z	Cord 220V	1	for Italy, F.R. Germany, France (Cord Armor D8.8)
	500247Z	Cord 220V	1	for Holland, Sweden, Norway (Cord Armor D10.1)
	500409Z	Cord 220V	1	for Denmark, Finland, Austria (Cord Armor D8.8)
	500248Z	Cord 220V	1	for Switzerland (Cord Armor D10.1)
	500226Z	Cord 230V	1	for N.Z. (Cord Armor D8.8)
	500405Z	Cord 240V	1	for Australia (Cord Armor D8.8)
61	986548C	Armature Ass'y 115V	1	
	986548E	Armature Ass'y 220V ~ 230V	1	
	986548G	Armature Ass'y 220V ~ 230V	1	for S. Africa, Italy, F.R. Germany, France, Holland, Denmark, Sweden, Norway, Finland, Austria, Switzerland
	986548F	Armature Ass'y 240V	1	for Australia
	986548J	Armature Ass'y 115V	1	for U.K.
	986548H	Armature Ass'y 240V	1	for U.K.

STANDARD ACCESSORIES

Item No.	Code No.	Parts Name	Q'ty	Remarks
501	943277	Hexagon Bar Wrench 3 mm	1	
502	963621Z	No. 12 Blade	1	(10 pcs.)
503	963623Z	No. 16 Blade (B)	1	(10 pcs.)
504	963624Z	No. 21 Blade (B)	1	(10 pcs.)
505	963384	Circular Guide	1	
506	940092	Guide Center	1	
507	957563	Guide Ass'y	1	

OPTIONAL ACCESSORIES

Item No.	Code No.	Parts Name	Q'ty	Remarks
601	963620Z	No. 11 Blade (B)	1	(10 pcs.)
602	963622Z	No. 15 Blade (B)	1	(10 pcs.)
603	963625Z	No. 22 Blade (B)	1	(10 pcs.)