

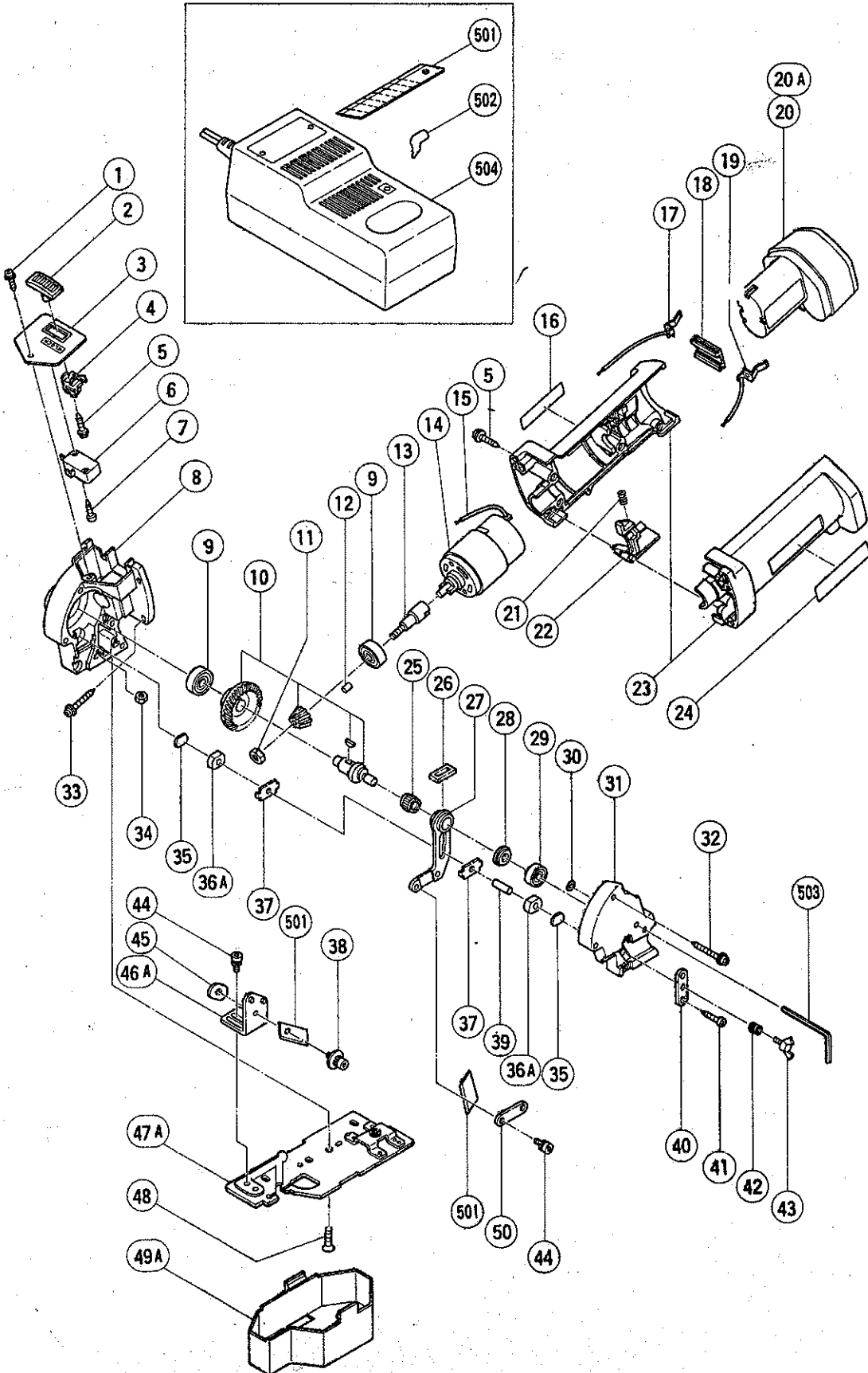
ELECTRIC TOOL PARTS LIST

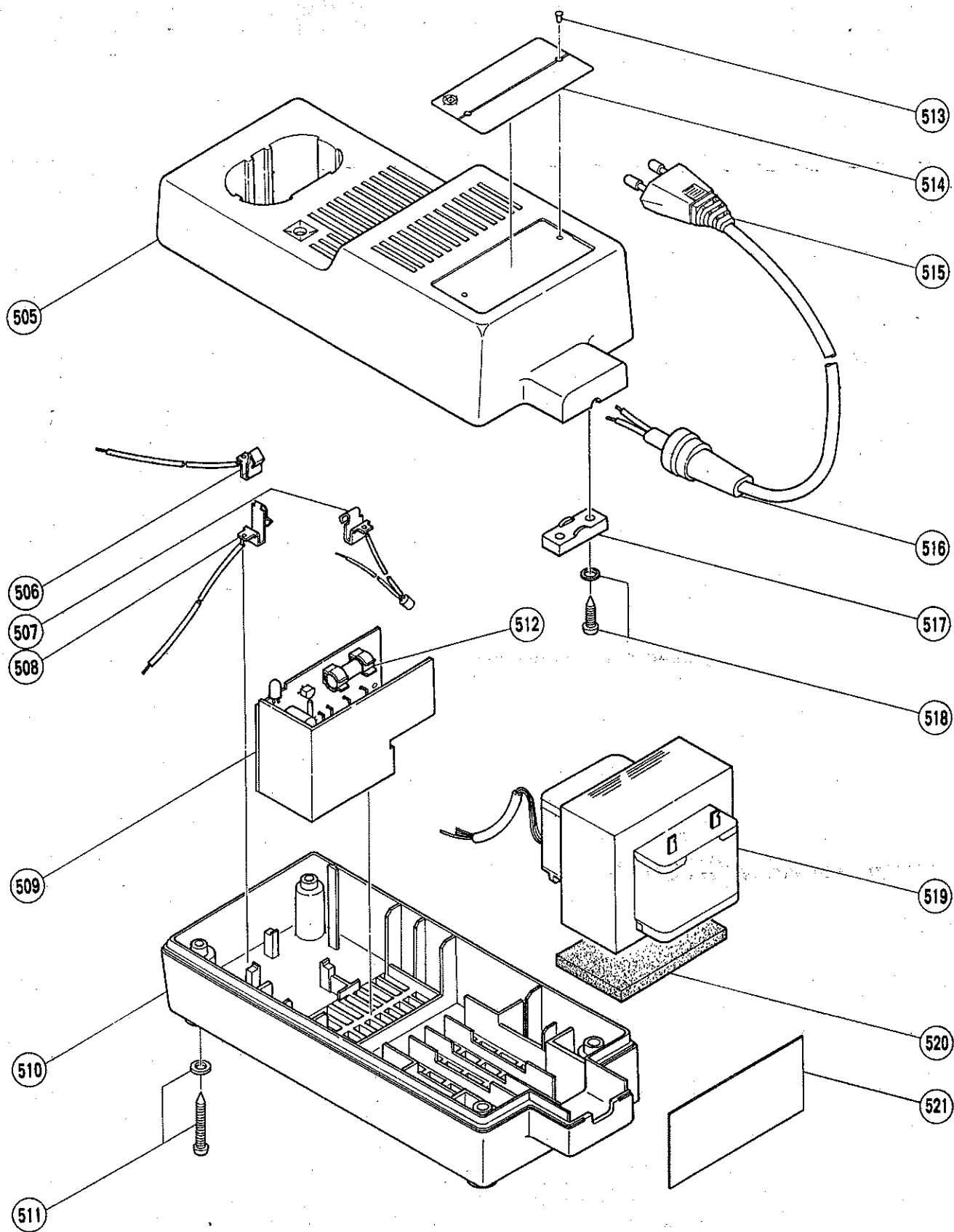
■ CORDLESS KNIFE CUTTER

1988-3-20

Model CK12D

CK12D(E2)





PARTS

CK12D(E2)

Item No.	Code No.	Part Name	Q'ty	Remarks
1	995481	Tapping Screw D3 x 10	1	w/Washer
2	995475	Button	1	
3	995482	Switch Plate	1	
4	995476	Switch Lock	1	
5	991672	Tapping Screw D3 x 16	6	w/Washer
6	995472	Micro Switch	1	
7	995474	Tapping Screw D3 x 14	2	
8	995478	Gear Cover (A) Ass'y	1	includ. 35, 36
9	939385	Ball Bearing (608VVC2)	2	
10	993800	Spindle Gear	1	
11	993799	Lock Nut (Left Hand) M6	1	
12	931701	Bearing Lock	1	
13	995479	Shaft	1	
14	995471	Motor	1	
15	—	Internal Wire	1	
16	—	Caution Plate	1	
17	995473	Terminal	1	
18	991666	Terminal Support	1	
19	991667	Terminal	1	
20	—	Battery	1	See alternative parts
21	990545	Spring (C)	1	
22	995477	Lever	1	
23	995470	Housing (A), (B) Set	1	
24	—	Name Plate	1	
25	993817	Needle Bearing (KT91210)	1	
26	993802	Felt	1	
27	993801	Rod	1	
28	993810	Sleeve	1	
29	939464	Ball Bearing (606ZZC2)	1	
30	873093	O-Ring (P-3)	1	
31	993798	Gear Cover (B) Ass'y	1	includ. 35, 36
32	981814	Tapping Screw D4 x 30	3	w/Washer
33	956636	Tapping Screw D4 x 25	4	w/Washer
34	949566	Lock Nut M5	2	(10 pcs.)
35	993814	Washer	2	
36A	997752	Metal	2	
37	993804	Liner	2	
38	993821	Hexagon Socket Hd. Bolt M4 x 12	1	w/Spring Lock Washer, Washer
39	993805	Needle Roller	1	
40	993811	Blade Holder (B)	1	
41	954017	Tapping Screw D4 x 12	2	
42	935295	Spring	1	
43	995480	Wing Bolt M4	1	
44	993820	Hexagon Socket Hd. Bolt M4 x 8	4	w/Spring Lock Washer
45	993819	Special Nut	1	
46A	993808	Ruled Blade Holder	1	
47A	995491	Base Ass'y	1	includ. 44, 46A, 49A
48	993809	Flat Hd. Screw M5 x 16	2	(Seal Lock Screw)
49A	995484	Blade Cover	1	
50	993806	Blade Holder (A)	1	

ALTERNATIVE PARTS

CK12D(E2)

Item No.	Code No.	Part Name	Q'ty	Remarks
20	991642Z	Battery (Model EB9, w/English N.P.)	1	
	991644Z	Battery (Model EB9, w/English N.P.)	1	for U.S.A., Canada
	991641Z	Battery (Model EB9, w/German N.P.)	1	
	991643Z	Battery (Model EB9, w/French N.P.)	1	
20A	991680	Battery (Model EB9, w/German N.P.)	1	for Switzerland

STANDARD ACCESSORIES

Item No.	Code No.	Part Name	Q'ty	Remarks
501	995488	Spare Blade	1	(10 pcs.)
502	959802	Blade for Plywood	1	(10 pcs.)
503	993822	Hexagon Bar Wrench 3 mm	1	
504	---	Charger (Model UC9)	1	includ. 505-521 Depending on Order Spec.
505	991780	Case (A)	1	
	991781	Case (A)	1	for U.S.A., Canada
	991782	Case (A)	1	for Finland, Australia
506	991797	Terminal (A)	1	
507	991801	Thermo Fuse	1	
508	991798	Terminal (B)	1	
509	991793Z	Print Board Ass'y	1	includ. 512
	991794Z	Print Board Ass'y	1	for U.S.A., Canada includ. 512
	991806	Print Board Ass'y	1	for Switzerland includ. 512
510	991783	Case (B)	1	
	991784	Case (B)	1	for U.S.A., Canada
	991785	Case (B)	1	for Finland, Australia
511	982095	Tapping Screw D4 x 20	4	w/Washer
512	991799	Fuse	1	
	991807	Fuse	1	for U.S.A., Canada
513	949510	Rivet D2.5 x 4.8	2	for U.S.A., Canada (10 pcs.)
514	---	Name Plate	1	
515	980642Z	Cord 220V ~ 230V	1	
	984431Z	Cord 120V	1	for U.S.A., Canada
	991166	Cord 220V	1	for Finland
	980643Z	Cord 230V	1	for N.Z.
	980644Z	Cord 240V	1	for U.K.
	980611	Cord 240V	1	for Australia
516	991167	Cord Armor	1	
	991168	Cord Armor (B)	1	for Finland
517	937631	Cord Clip	1	
518	930446	Tapping Screw D4 x 16	2	w/Washer
519	991788Z	Transformer 220V	1	
	991787Z	Transformer 120V	1	for U.S.A., Canada
	991805	Transformer 220V	1	for Norway
	991790Z	Transformer 230V	1	for N.Z., Singapore
	991803	Transformer 240V	1	for U.K.
	991804	Transformer 240V	1	for Australia
520	984404	Cushion	1	
521	991802	Plate	1	

