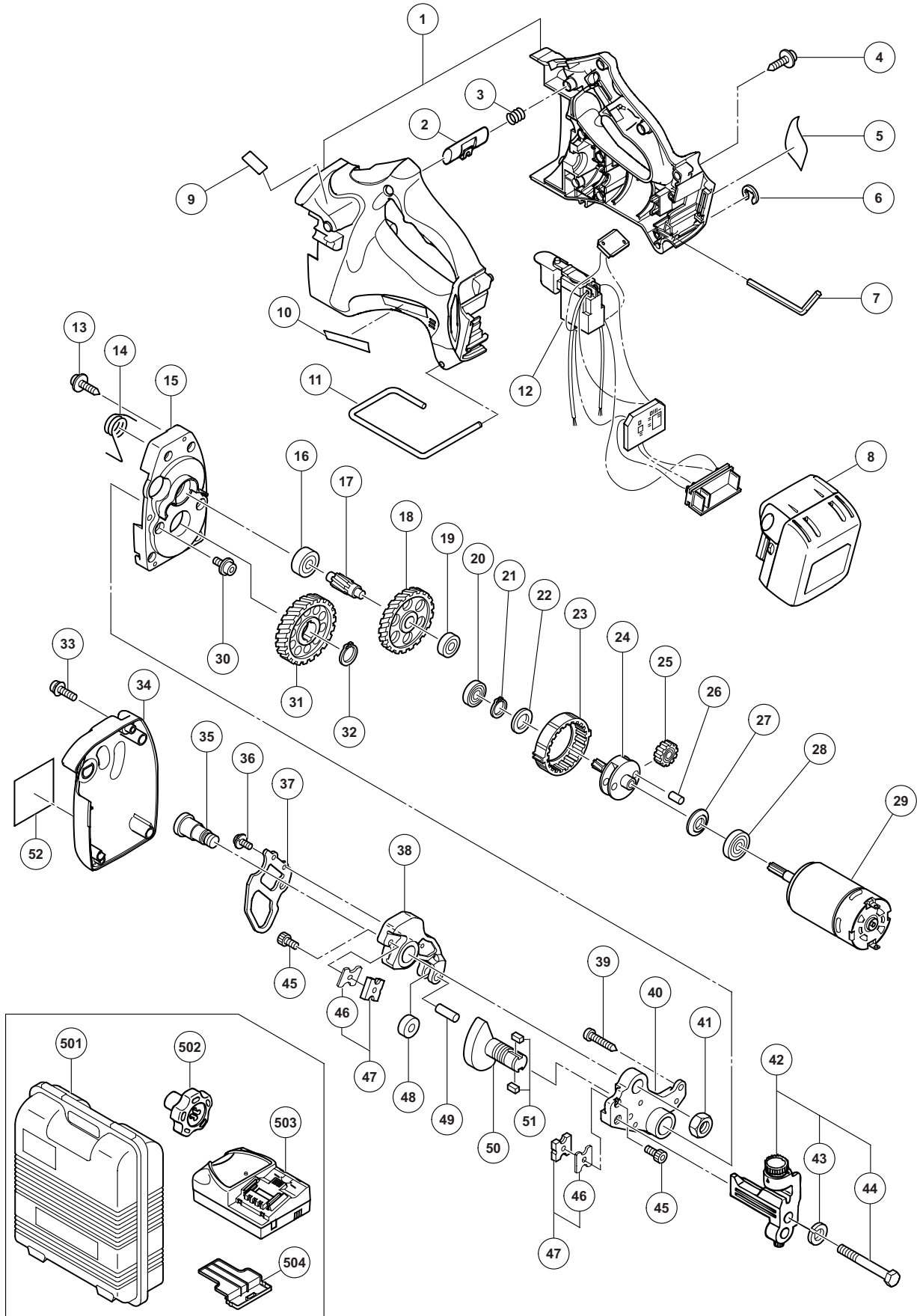


ELECTRIC TOOL PARTS LIST

CORDLESS STUD CUTTER Model CL 14DSL

2008-3-27
(E1)



PARTS

CL 14DSL

ITEM NO.	CODE NO.	DESCRIPTION	NO. USED	REMARKS
1	327-322	HOUSING (A). (B) SET	1	
2	319-402	PUSHING BUTTON (A)	1	
3	327-319	SPRING	1	
4	301-653	TAPPING SCREW (W/FLANGE) D4X20 (BLACK)	10	
5		NAME PLATE	1	
6	968-643	RETAINING RING (E-TYPE) FOR D4 SHAFT	1	
7	944-458	HEX. BAR WRENCH 4MM	1	
8	329-083	BATTERY BSL 1430 (EUROPE)	2	INCLUD. 504
9		CAUTION PLATE (B)	1	
10		HITACHI LABEL	1	
11	319-401	HOOK	1	
12	327-321	SWITCH	1	
13	305-558	TAPPING SCREW (W/FLANGE) D5X25 (BLACK)	4	
14	307-624	RETURN SPRING	1	
15	307-622	GEAR COVER	1	
16	629-VVM	BALL BEARING 629VVC2PS2L	1	
17	319-407	THIRD PINION	1	
18	319-406	SECOND GEAR	1	
19	608-VVM	BALL BEARING 608VVC2PS2L	1	
20	609-VVM	BALL BEARING 609VVC2PS2L	1	
21	939-544	RETAINING RING FOR D15 SHAFT (10 PCS.)	1	
22	302-714	WASHER	1	
23	310-254	RING GEAR	1	
24	319-405	SECOND PINION	1	
25	319-404	IDLE GEAR	2	
26	307-609	NEEDLE	2	
27	307-608	WASHER	1	
28	600-1VV	BALL BEARING 6001VVCMP2L	1	
29	327-320	MOTOR	1	
30	998-471	HEX. SOCKET HD. BOLT (W/FLANGE) M5X12	3	
31	319-393	FINAL GEAR	1	
32	939-546	RETAINING RING FOR D18 SHAFT (10 PCS.)	1	
33	307-606	MACHINE SCREW (W/WASHERS) M4X20 (BLACK)	2	
34	329-843	COVER	1	
35	319-396	BOLT (A)	1	
36	987-203	SEAL LOCK SCREW (W/SP. WASHER) M4X12	2	
37	319-398	RETURN PLATE	1	
38	319-397	BRACKET (A)	1	
39	931-875	TAPPING SCREW D5X35	2	
40	319-395	BRACKET (B)	1	
41	949-574	LOCK NUT M12 (10 PCS.)	1	
42	309-180	STUD GUIDE ASS'Y	1	INCLUD. 43, 44
43	949-458	SPRING WASHER M10 (10 PCS.)	1	
44	309-621	BOLT W3/8X75	1	
45	998-486	SPECIAL BOLT M5X9	2	
46	308-779	SPACER M8 (10 PCS.)	2	
47	308-564	CUTTER ASS'Y M8 (1 PAIR)	2	INCLUD. 46
48	327-317	ROLLER (A)	1	
49	327-318	ROLLER PIN	1	
50	319-394	CAM SHAFT	1	

PARTS

CL 14DSL

ITEM NO.	CODE NO.	DESCRIPTION	NO. USED	REMARKS	
51	948-015	FEATHER KEY 5X5X10	2		
52		CAUTION PLATE (F)	1		

STANDARD ACCESSORIES

ITEM NO.	CODE NO.	DESCRIPTION	NO. USED	REMARKS	
501	327-324	CASE	1		
502	308-569	TRIMMER M8	1		
503		CHARGER (MODEL UC 18YRSL)	1		
504	329-897	BATTERY COVER	1		

OPTIONAL ACCESSORIES

ITEM NO.	CODE NO.	DESCRIPTION	NO. USED	REMARKS	
601	998-479	CUTTER W3/8" (1 PAIR)	2		
602	308-566	CUTTER ASS'Y W5/16" (1 PAIR)	2	INCLUD. 603	
603	308-781	SPACER W5/16" (10 PCS.)	2		
604	308-563	CUTTER ASS'Y M6 (1 PAIR)	2	INCLUD. 605	
605	309-181	SPACER M6 (10 PCS.)	2		
606	308-565	CUTTER ASS'Y M10 (1 PAIR)	2	INCLUD. 607	
607	308-780	SPACER M10 (10 PCS.)	2		
608	308-567	TRIMMER W3/8"	1		
609	308-568	TRIMMER M6	1		
610	308-569	TRIMMER M8	1		
611	308-570	TRIMMER M10	1		
612	321-153	TRIMMER W5/16"	1		

