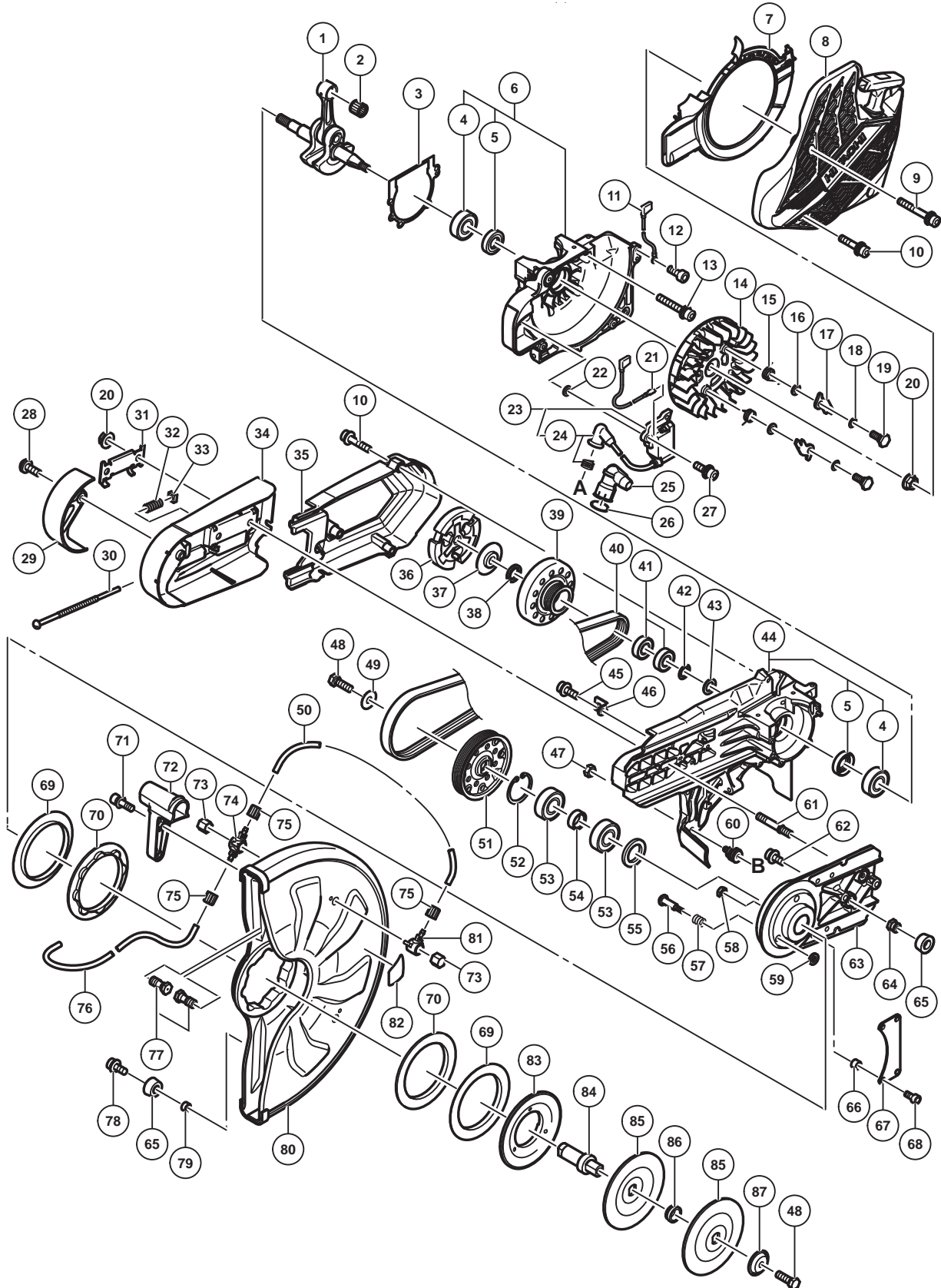
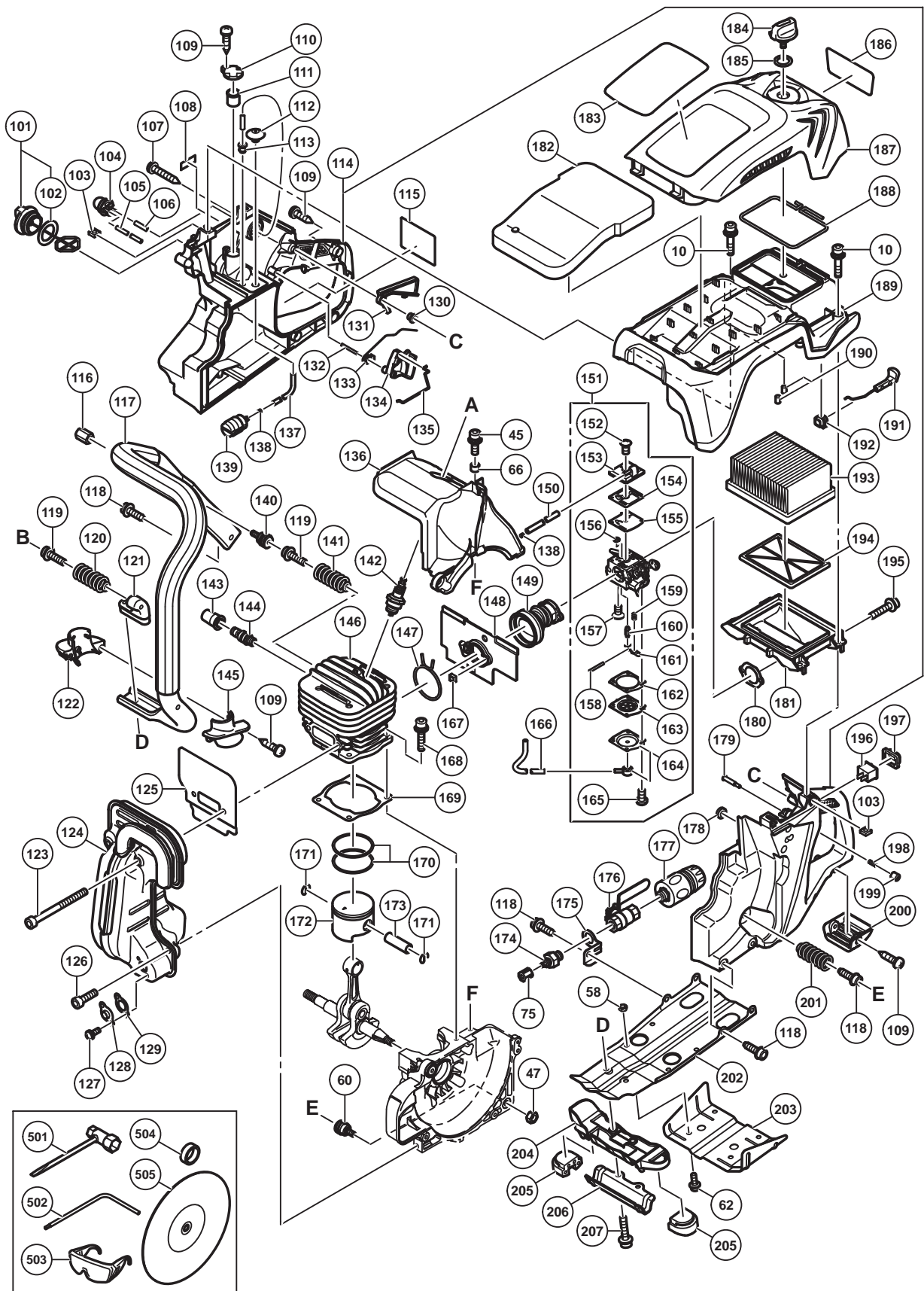


ENGINE TOOL PARTS LIST

ENGINE CUTTER
Model CM 75EBP

2014.9.12
(E1)





PARTS

CM 75EBP

| ITEM NO. | CODE NO. | DESCRIPTION | NO. USED | REMARKS |
|----------|----------|---|----------|----------------|
| 1 | 6699801 | CRANK SHAFT | 1 | |
| 2 | 6699803 | NEEDLE BEARING (A) | 1 | |
| 3 | 6699800 | CRANK CASE PACKING | 1 | |
| 4 | 6202C3 | BALL BEARING 6202C3 | 2 | |
| 5 | 6698914 | OIL SEAL | 2 | |
| 6 | 6600364 | CRANK CASE (A) | 1 | INCLUD.4,5 |
| 7 | 6699875 | FAN GUIDE | 1 | |
| 8 | 6699876 | RECOIL STARTER | 1 | |
| 9 | 6600374 | SET BOLT M5 | 1 | |
| 10 | 6699871 | SET BOLT M5 X 25 | 10 | |
| 11 | 6699813 | EARTH CORD | 1 | |
| 12 | 949812 | HEX. SOCKET HD. BOLT M4 X 10 (10 PCS.) | 1 | |
| 13 | 6600365 | SEAL LOCK HEX. SOCKET HD. BOLT M5 | 4 | |
| 14 | 6699808 | MAGNETO ROTOR | 1 | |
| 15 | 6699810 | STARTER PAWL SPRING | 2 | |
| 16 | 6696857 | WASHER 0.8 | 2 | |
| 17 | 6699811 | STARTER PAWL | 2 | |
| 18 | 6696434 | SHIM | 2 | |
| 19 | 6696878 | STEP BOLT | 2 | |
| 20 | 6698581 | FLANGE NUT M8 | 3 | |
| 21 | 6699812 | CORD | 1 | |
| 22 | 6698700 | GLASS WASHER | 2 | |
| 23 | 6699809 | IGNITION COIL ASS'Y | 1 | INCLUD.24 |
| 24 | | PLUG CAP CORD | 1 | |
| * 25 | 6699814 | SHIELD COVER | 1 | EXCEPT FOE USA |
| * 26 | 6600373 | SHIELD COVER RING | 1 | EXCEPT FOR USA |
| 27 | 6698388 | HEX. SOCKET HD. BOLT (W/WASHERS) M4 X 18 | 2 | |
| 28 | 6699909 | SEAL LOCK HEX. SOCKET BUTTON BOLT M5 X 10 | 1 | |
| 29 | 6699908 | COVER PLATE | 1 | |
| 30 | 6699907 | TENSIONER BOLT | 1 | |
| 31 | 6699904 | TENSIONER PLATE | 1 | |
| 32 | 6699906 | TENSIONER SPRING | 1 | |
| 33 | 6699905 | TENSION NUT | 1 | |
| 34 | 6699903 | ARM COVER | 1 | |
| 35 | 6699878 | CLUTCH COVER | 1 | |
| 36 | 6699823 | CLUTCH | 1 | |
| 37 | 6699822 | CLUTCH FLANGE | 1 | |
| 38 | 301946 | FELT PACKING | 1 | |
| 39 | 6699821 | CLUTCH HOUSING | 1 | |
| 40 | 6699877 | BELT | 1 | |
| 41 | 6001DD | BALL BEARING 6001DDCMPS2L | 2 | |
| 42 | 6696946 | SHIM T0.2 | 1 | |
| 43 | 6685072 | BOLT WASHER M12 | 1 | |
| 44 | 6600366 | CRANK CASE (B) | 1 | INCLUD.4,5 |
| 45 | 6699826 | HEX. SOCKET HD. BOLT (W/WASHERS) M5 X 16 | 3 | |
| 46 | 6699825 | TENSIONER BASE | 1 | |
| 47 | 6698449 | NUT M6 | 2 | |
| 48 | 6699902 | BOLT M8 | 2 | |
| 49 | 6684924 | WASHER 8.1 X 30 | 1 | |
| 50 | 6699910 | WATER SUPPLY HOSE | 1 | |

PARTS

CM 75EBP

| ITEM NO. | CODE NO. | DESCRIPTION | NO. USED | REMARKS |
|----------|----------|--|----------|------------|
| 51 | 6699899 | PULLEY (B) | 1 | |
| 52 | 948391 | RETAINING RING FOR D40 HOLE | 1 | |
| 53 | 6203DD | BALL BEARING 6203DDCMPS2L | 2 | |
| 54 | 6699880 | BB COLLAR | 1 | |
| 55 | 6699879 | FELT | 1 | |
| 56 | 6699896 | BOLT M5 (S) | 3 | |
| 57 | 6699895 | WHEEL GUARD SPRING | 3 | |
| 58 | 949566 | LOCK NUT M5 (10 PCS.) | 8 | |
| 59 | 949425 | WASHER M6 (10 PCS.) | 3 | |
| 60 | 6699850 | SPRING HOLDER | 2 | |
| 61 | 6699881 | CHAIN BAR BOLT | 2 | |
| 62 | 6699176 | HEX. SOCKET HD. BOLT (W/SP.WASHER) M5 X 12 | 5 | |
| 63 | 6600367 | ARM | 1 | |
| 64 | 6699883 | STOPPER HOLDER | 1 | |
| 65 | 6600368 | STOPPER RUBBER | 2 | |
| 66 | 6699866 | COLLAR | 6 | |
| 67 | 6600396 | ARM PLATE | 1 | |
| 68 | 6696836 | HEX. SOCKET HD. BOLT M5 X 12 (PRECOAT) | 4 | |
| 69 | 6699885 | PLATE (A) | 2 | |
| 70 | 6699886 | DAMPER (A) | 2 | |
| 71 | 6699889 | SET BOLT M5 X 16 | 2 | |
| 72 | 6699888 | HANDLE (W) | 1 | |
| 73 | 6699892 | CAP NUT | 2 | |
| 74 | 6699891 | WATER SUPPLY JOINT (B) | 1 | |
| 75 | 6699912 | LOCK NUT | 4 | |
| 76 | 6699911 | WATER SUPPLY HOSE | 1 | |
| 77 | 6699893 | NOZZLE BOLT | 2 | |
| 78 | 996399 | HEX. SOCKET HD. BOLT (W/FLANGE) M5 X 12 | 1 | |
| 79 | 6600375 | STOPPER HOLDER (B) | 1 | |
| 80 | 6699920 | WHEEL GUARD (14") | 1 | |
| 81 | 6699890 | WATER SUPPLY JOINT (A) | 1 | |
| 82 | 6600377 | WHEEL MARK LABEL (14") | 1 | |
| 83 | 6699894 | FLANGE (A) | 1 | |
| 84 | 6699882 | SPINDLE | 1 | |
| 85 | 6699897 | WHEEL WASHER | 2 | |
| 86 | 6699898 | SPINDLE COLLAR | 1 | |
| 87 | 6699901 | FLANGE WASHER | 1 | |
| 101 | 6600369 | TANK CAP | 1 | INCLUD.102 |
| 102 | 6685179 | TANK CAP PACKING | 1 | |
| 103 | 6699828 | SQUARE NUT M5 | 4 | |
| 104 | 6685139 | PRIMING PUMP COMP. | 1 | |
| 105 | 6698722 | FUEL PIPE | 1 | |
| 106 | 6699837 | FUEL PIPE (PINK) | 1 | |
| 107 | 304035 | TAPPING SCREW (W/FLANGE) D4 X 25 (BLACK) | 1 | |
| * 108 | 6698921 | TANK MARK LABEL (50:1) | 1 | |
| * 108 | 6698922 | TANK MARK LABEL (25:1) | 1 | FOR ASIA |
| 109 | 305812 | TAPPING SCREW (W/FLANGE) D4 X 16 (BLACK) | 8 | |
| 110 | 6699838 | AIR VENT CAP | 1 | |
| 111 | 6600370 | INNER CAP (B) | 1 | |
| 112 | 6698931 | FUEL GROMMET | 1 | |

PARTS

CM 75EBP

| ITEM NO. | CODE NO. | DESCRIPTION | NO. USED | REMARKS |
|----------|----------|---|----------|----------------|
| 113 | 6697846 | RETURN GROMMET | 1 | |
| 114 | 6699827 | REAR HANDLE SET | 1 | |
| 115 | | NAME PLATE | 1 | |
| 116 | 6699852 | LONG NUT M6 | 1 | |
| 117 | 6699842 | FRONT HANDLE | 1 | |
| 118 | 6696872 | FLANGED TAPPING SCREW D6 | 7 | |
| 119 | 881722 | HEX. SOCKET HD. BOLT (W/FLANGE) M6 X 20 | 2 | |
| 120 | 6699849 | ANTIVIBRATION SPRING | 1 | |
| 121 | 6699847 | FRONT ADAPTER | 1 | |
| 122 | 6699844 | GRIP END (B) | 1 | |
| 123 | 6699819 | HEX. SOCKET HD. BOLT M6 X 50 | 2 | |
| 124 | 6699816 | MUFFLER | 1 | |
| 125 | 6699815 | HEAT PROTECTION PLATE | 1 | |
| 126 | 6698899 | SEAL LOCK HEX. SOCKET HD. BOLT M6 X 20 | 2 | |
| 127 | 6685068 | MACHINE SCREW (W/SP. WASHER) M4 X 12 | 2 | |
| 128 | 6699818 | EXHAUST PIPE | 1 | |
| 129 | 6699817 | EXHAUST GASKET | 1 | |
| 130 | 6699836 | TRIGGER LOCKOUT COLLAR | 1 | |
| 131 | 6699835 | TRIGGER LOCKOUT | 1 | |
| 132 | 6699834 | NEEDLE PIN D3 | 1 | |
| 133 | 6699833 | THROTTLE LEVER SPRING | 1 | |
| 134 | 6699832 | THROTTLE LEVER | 1 | |
| 135 | 6699863 | THROTTLE ROD | 1 | |
| 136 | 6699865 | CYLINDER COVER | 1 | |
| * 137 | 6698908 | FUEL PIPE | 1 | |
| * 137 | 6698930 | FUEL PIPE | 1 | FOR USA |
| 138 | 6685311 | CLIP | 2 | |
| 139 | 6692285 | PUMP FILTER BODY | 1 | |
| 140 | 6699851 | SPRING HOLDER | 1 | |
| 141 | 6699824 | ANTIVIBRATION SPRING | 1 | |
| 142 | 6699320 | SPARK PLUG ASS'Y BPMR7A | 1 | |
| 143 | 6600378 | DECOMP CAP | 1 | |
| 144 | 6698541 | DECOMP. | 1 | |
| 145 | 6699843 | GRIP END (A) | 1 | |
| 146 | 6600371 | CYLINDER | 1 | |
| 147 | 6699862 | INSULATOR CLIP | 1 | |
| 148 | 6699858 | INSULATOR PLATE | 1 | |
| 149 | 6699860 | CARBURETOR INSULATOR | 1 | |
| 150 | 6699857 | FUEL PIPE (FKM) | 1 | |
| 151 | 6699856 | CARBURETOR ASS'Y (C3M) | 1 | INCLUD.152-165 |
| 152 | 6600385 | SCREW (D) | 1 | |
| 153 | 6600386 | PUMP COVER | 1 | |
| 154 | 6600387 | PUMP GASKET | 1 | |
| 155 | 6600388 | PUMP DIAPHRAGM | 1 | |
| 156 | 6600389 | STRAINER | 1 | |
| 157 | 6600390 | SCREW (E) | 1 | |
| 158 | 6699082 | PIN | 1 | |
| 159 | 6600391 | METEALING LEVER SPRING | 1 | |
| 160 | 6699081 | INLET NEEDLE VALVE | 1 | |
| 161 | 6699084 | METEALING LEVER | 1 | |

PARTS

CM 75EBP

| ITEM NO. | CODE NO. | DESCRIPTION | NO. USED | REMARKS |
|----------|----------|---|--|-----------|
| 162 | 6600392 | METEALING CHAMBER GASKET | 1 | |
| 163 | 6600393 | METEALING DIAPHRAGM | 1 | |
| 164 | 6600394 | METALING CHAMBER COVER | 1 | |
| 165 | 6699094 | SET SCREW (C) | 4 | |
| 166 | 6698873 | FUEL PIPE | 1 | |
| 167 | 6699859 | SQUARE NUT (B) M5 | 2 | |
| 168 | 991712 | HEX. SOCKET HD. BOLT (W/FLANGE) M6 X 25 | 4 | |
| 169 | 6600397 | CYLINDER PACKING (C) | 1 | |
| 170 | 6699806 | PISTON RING | 2 | |
| 171 | 6699805 | CIR CLIP | 2 | |
| 172 | 6699804 | PISTON (51.5) | 1 | |
| 173 | 6699802 | PISTON PIN | 1 | |
| 174 | 6699913 | WATER SUPPLY CONNECTOR | 1 | |
| 175 | 6699914 | MOUNTING PLATE | 1 | |
| 176 | 6699915 | VALVE | 1 | |
| * | 177 | 6699916 | COUPLER | 1 |
| * | 177 | 6699917 | COUPLER | 1 FOR USA |
| | 178 | 6698787 | GROMMET | 1 |
| | 179 | 6699829 | THROTTLE LOCK PIN | 1 |
| | 180 | 6699855 | CARBURETOR PACKING | 1 |
| | 181 | 6699854 | CARBURETOR BRACKET | 1 |
| | 182 | 6699872 | PRE FILTER | 1 |
| * | 183 | | CAUTION LABEL (EURO) | 1 |
| * | 183 | | CAUTION LABEL (USA) | 1 |
| * | 183 | 6600382 | CAUTION LABEL (ENG) | 1 |
| * | 183 | 6600383 | CAUTION LABEL (BRA) | 1 |
| | 184 | 6699874 | CLEANER KNOB | 1 |
| | 185 | 6698570 | KNOB PACKING | 1 |
| | 186 | 6600381 | START LABEL (CM75) (EX) | 1 |
| | 187 | 6699873 | CLEANER BOX (B) | 1 |
| | 188 | 6699870 | RUBBER ROPE | 1 |
| | 189 | 6699869 | CLEANER BOX (A) | 1 |
| | 190 | 931701 | BEARING LOCK | 2 |
| | 191 | 6699864 | CHOKE BUTTON | 1 |
| | 192 | 6685369 | CHOKE ROD RUBBER | 1 |
| | 193 | 6699868 | PAPER FILTER | 1 |
| | 194 | 6699867 | NYLON FILTER | 1 |
| | 195 | 6699861 | HEX. SOCKET HD. BOLT (W/WASHERS) M5 X 55 | 2 |
| | 196 | 6696940 | STOP SWITCH | 1 |
| | 197 | 6698400 | SWITCH COVER | 1 |
| | 198 | 6699830 | THROTTLE LOCK PIN SPRING | 1 |
| | 199 | 6699831 | THROTTLE LOCK PIN CAP | 1 |
| | 200 | 6699839 | REAR FOOT | 1 |
| | 201 | 6699840 | ANTIVIBRATION SPRING | 1 |
| | 202 | 6699841 | LOWER GUARD | 1 |
| | 203 | 6600395 | MUFFLER GUARD | 1 |
| | 204 | 6699845 | FRONT FOOT HOLDER | 1 |
| | 205 | 6699846 | FRONT FOOT RUBBER | 2 |
| | 206 | 6699848 | FRONT FOOT PLATE | 1 |
| | 207 | 6600372 | HEX. SOCKET HD. BOLT (W/WASHERS) M5 | 2 |

