

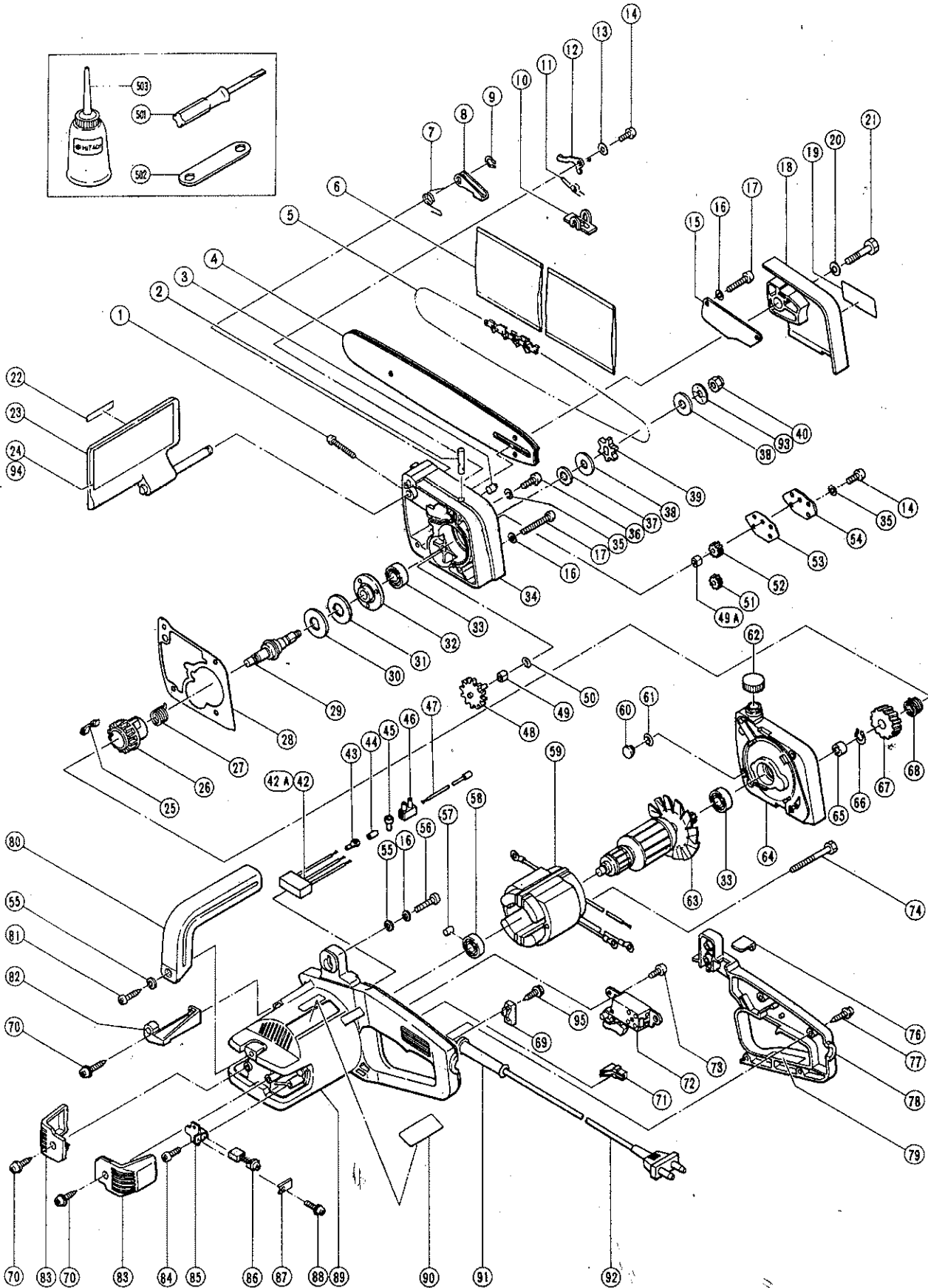
ELECTRIC TOOL PARTS LIST

■ CHAIN SAW

1987-11-30

Model CS28B

CS28B(E2)



PARTS

CS28B(E2)

| Item No. | Code No. | Part Name | Q'ty | Remarks |
|----------|----------|--------------------------|------|-------------------------|
| 1 | 960260 | Free Drive Screw M5 x 40 | 1 | |
| 2 | 985536 | Stop Pin | 1 | |
| 3 | 960261 | Adjust Pin D8 x 15 | 1 | |
| 4 | 960288Z | Guide Bar (B) | 1 | |
| 5 | 957715 | Chain | 1 | |
| 6 | — | Chain Case | 1 | See alternative parts |
| 7 | 985531 | Spring (B) | 1 | |
| 8 | 985530 | Cam Plate | 1 | |
| 9 | 939540 | C-Type Retaining Ring | 1 | for D10 shaft (10 pcs.) |
| 10 | 985532 | Reset Plate | 1 | |
| 11 | 985534 | Spring (A) | 1 | |
| 12 | 985533 | Hook Plate | 1 | |
| 13 | 949429 | Bolt Washer | 1 | for M4 (10 pcs.) |
| 14 | 949216 | Machine Screw M4 x 10 | 5 | (10 pcs.) |
| 15 | 985535 | Cover Plate | 1 | |
| 16 | 949454 | Spring Lock Washer | 5 | for M5 (10 pcs.) |
| 17 | 957725 | Tapping Screw M5 x 70 | 4 | |
| 18 | 985543 | Chain Cover Ass'y | 1 | includes 19 |
| 19 | 985544 | HITACHI Label | 1 | |
| 20 | 949457 | Spring Lock Washer | 1 | for M8 (10 pcs.) |
| 21 | 949630 | Bolt M8 x 40 | 1 | (10 pcs.) |
| 22 | — | Caution Plate | 1 | See alternative parts |
| 23 | 985528 | Hand Guard | 1 | |
| 24 | — | Caution Plate | 1 | See alternative parts |
| 25 | 985550 | Hook Spring | 1 | |
| 26 | — | Stop Collar | 1 | |
| 27 | 985526 | Break Spring | 1 | |
| 28 | 985541 | Oil Seal | 1 | |
| 29 | 985522 | Spindle | 1 | |
| 30 | 985546 | Washer | 1 | (Plastic T0.5) |
| 31 | 985549 | Washer | 1 | (Steel T0.2) |
| 32 | 985523 | Sleeve | 1 | |
| 33 | 939498 | Ball Bearing (6201VVCM) | 2 | |
| 34 | 985520 | Gear Cover | 1 | |
| 35 | 949453 | Spring Lock Washer | 7 | for M4 (10 pcs.) |
| 36 | 949217 | Machine Screw M4 x 12 | 3 | (10 pcs.) |
| 37 | 961436 | Washer (B) | 1 | |
| 38 | 957699 | Side Plate | 2 | |
| 39 | 957700 | Sprocket | 1 | |
| 40 | 960256 | U-Nut (Left Hand) M8 | 1 | |
| 42 | — | Noise Suppressor | 1 | See alternative parts |
| 43 | — | Terminal | 1 | See alternative parts |
| 44 | — | Tube (D) | 2 | See alternative parts |
| 45 | — | Connector (50092) | 2 | See alternative parts |
| 46 | — | Pillar Terminal | 1 | See alternative parts |
| 47 | — | Internal Wire | 1 | See alternative parts |
| 48 | 985537 | Pump Gear | 1 | |
| 49A | 994677 | Metal D4 x 6 | 2 | |
| 50 | 874436 | O-Ring (P4) | 1 | |
| 51 | 985547 | First Idle Gear | 1 | (I.D. 4 mm) |
| 52 | 985538 | First Idle Gear | 1 | (I.D. 3 mm) |
| 53 | 985539 | Cap Seal | 1 | |
| 54 | 985540 | Cap Plate | 1 | |

PARTS

CS28B(E2)

| Item No. | Code No. | Part Name | Q'ty | Remarks |
|----------|----------|-----------------------------------|------|-------------------------|
| 55 | 949424 | Washer | 2 | for M5 (10 pcs.) |
| 56 | 949247 | Machine Screw M5 x 35 | 1 | (10 pcs.) |
| 57 | 931701 | Bearing Lock | 1 | |
| 58 | 939497 | Ball Bearing (6000VVCN) | 1 | |
| 50 | — | Stator Ass'y | 1 | See alternative parts |
| 60 | 985542 | Oil Gauge | 1 | |
| 61 | 875638 | O-Ring (S-12) | 1 | |
| 62 | 957709 | Cap | 1 | |
| 63 | — | Armature | 1 | See alternative parts |
| 64 | 985521 | Inner Cover | 1 | |
| 65 | 982027 | Needle Bearing (HK 1010) | 1 | |
| 66 | 939542 | C-Type Retaining Ring | 1 | for D12 shaft (10 pcs.) |
| 67 | 985527 | Gear | 1 | |
| 68 | 985551 | Clutch Spring (A) | 1 | |
| 69 | 960266 | Cord Clip | 1 | |
| 70 | 930446 | Tapping Screw D4 x 16 | 2 | w/Washer |
| 71 | 960252 | Internal Wire Stopper | 1 | |
| 72 | 953178 | Double Pole Switch (Pillar Type) | 1 | (Safety Lock Type) |
| 73 | 954017 | Tapping Screw D4 x 12 | 1 | |
| 74 | 960251 | Hexagon Hd. Tapping Screw D5 x 65 | 2 | |
| 76 | 985545 | Rubber Cap | 1 | |
| 77 | 956636 | Tapping Screw D4 x 25 | 5 | w/Washer |
| 78 | 960265 | Handle Cover | 1 | |
| 79 | — | Caution Plate | 1 | See alternative parts |
| 80 | 960273 | Side Handle | 1 | |
| 81 | 953040 | Tapping Screw D5 x 20 | 1 | |
| 82 | 985529 | Attachment | 1 | |
| 83 | 960259 | Tail Cover | 2 | |
| 84 | 958715 | Tapping Screw D4 x 10 | 2 | |
| 85 | 957686 | Brush Holder | 2 | |
| 86 | 999038 | Carbon Brush | 2 | (2 pcs.) |
| 87 | 957710 | Brush Holder Plate | 2 | |
| 88 | 960258 | Machine Screw M4 x 8 | 2 | w/Washer |
| 89 | 960284Z | Housing Ass'y | 1 | |
| 90 | — | Name Plate | 1 | |
| 91 | — | Cord Armor | 1 | See alternative parts |
| 92 | — | Cord | 1 | See alternative parts |
| 93 | 985556 | Belleville Spring | 1 | |
| 94 | — | Caution Plate | 1 | See alternative parts |
| 95 | 984750 | Tapping Screw D4 x 16 | 2 | w/Flange |
| | | | | |
| | | | | |
| | | | | |

ALTERNATIVE PARTS

| Item No. | Code No. | Part Name | Q'ty | Remarks |
|----------|----------|---------------|------|---|
| 6 | 957679 | Chain Case | 1 | for Denmark, Finland, Sweden, Norway |
| 22 | — | Caution Plate | 1 | for F.R. Germany |
| 24 | — | Caution Plate | 1 | for Denmark, Finland, Sweden, Norway, S. Africa |
| | | | | |

ALTERNATIVE PARTS

CS28B(E2)

| Item No. | Code No. | Part Name | Q'ty | Remarks |
|----------|----------|-------------------------|-------------|--|
| 42 | 500262Z | Noise Suppressor | 1 | for Denmark, Norway |
| | 958846Z | Noise Suppressor | 1 | for Switzerland |
| 42A | 994274 | Noise Suppressor | 1 | |
| 43 | 959146 | Terminal (50061) | 1 | for Switzerland (10 pcs.) |
| | 961419Z | Terminal | 1 | for N.Z., U.K., F.R. Germany, Holland, Denmark, Sweden, Austria, Norway |
| 44 | 981373 | Tube (D) | 2 | for Finland |
| 45 | 959141 | Connector (50092) | 2 | for N.Z., U.K., F.R. Germany, Holland, Denmark, Sweden, Austria, Norway, Switzerland |
| 46 | 938307Z | Pillar Terminal | 1 | for Finland |
| 47 | 960281Z | Internal Wire Ass'y (A) | 2 | for N.Z., U.K., F.R. Germany, Holland, Denmark, Sweden, Austria, Norway, Switzerland |
| | 971825Z | Internal Wire Ass'y | 1 | for Finland |
| 59 | 960270G | Stator Ass'y | 230V | 1 for N.Z. |
| | 960270J | Stator Ass'y | 240V | 1 for U.K. |
| | 960270K | Stator Ass'y | 220V ~ 230V | 1 for F.R. Germany, Netherlands, Denmark, Finland, Sweden, Austria, Norway, Switzerland, S. Africa |
| | 960270L | Stator Ass'y | 110V | 1 for U.K. |
| | 960270C | Stator Ass'y | 110V | 1 |
| | 960270E | Stator Ass'y | 220V ~ 230V | 1 |
| | 960270F | Stator Ass'y | 240V | 1 |
| | 960270M | Stator Ass'y | 220V | 1 for Finland |
| 63 | 985548C | Armature | 110V | 1 |
| | 985548E | Armature | 220V | 1 |
| | 985548F | Armature | 240V | 1 |
| | 985548G | Armature | 220V | 1 for Netherlands, Denmark, Finland, Sweden, Austria, Norway |
| | 985548J | Armature | 110V | 1 for U.K. |
| | 985548H | Armature | 230V ~ 240V | 1 for U.K., S. Africa |
| 79 | — | Caution Plate | 1 | for Norway |
| 91 | 938051 | Cord Armor | D10.1 | 1 |
| | 953327 | Cord Armor | D8.8 | 1 |
| 92 | 500226Z | Cord | 230V | 1 for N.Z. (Cord Armor D8.8) |
| | 500231Z | Cord | 240V | 1 for U.K. (Cord Armor D8.8) |
| | 500247Z | Cord | 220V | 1 for F.R. Germany, Netherlands, Denmark, Sweden, Austria, Norway (Cord Armor D10.1) |
| | 500248Z | Cord | 220V | 1 for Switzerland (Cord Armor D10.1) |
| | 500396Z | Cord | 110V | 1 for U.K. (Cord Armor D8.8) |
| | 500234Z | Cord | 220V | 1 for Indonesia (Cord Armor D8.8) |
| | 500245Z | Cord | 220V | 1 for Syria (Cord Armor D10.1) |
| | 500223Z | Cord | 230V | 1 for Singapore (Cord Armor D10.1) |
| 94 | — | Caution Plate | 1 | for U.K., F.R. Germany, Netherlands, Austria, Switzerland |