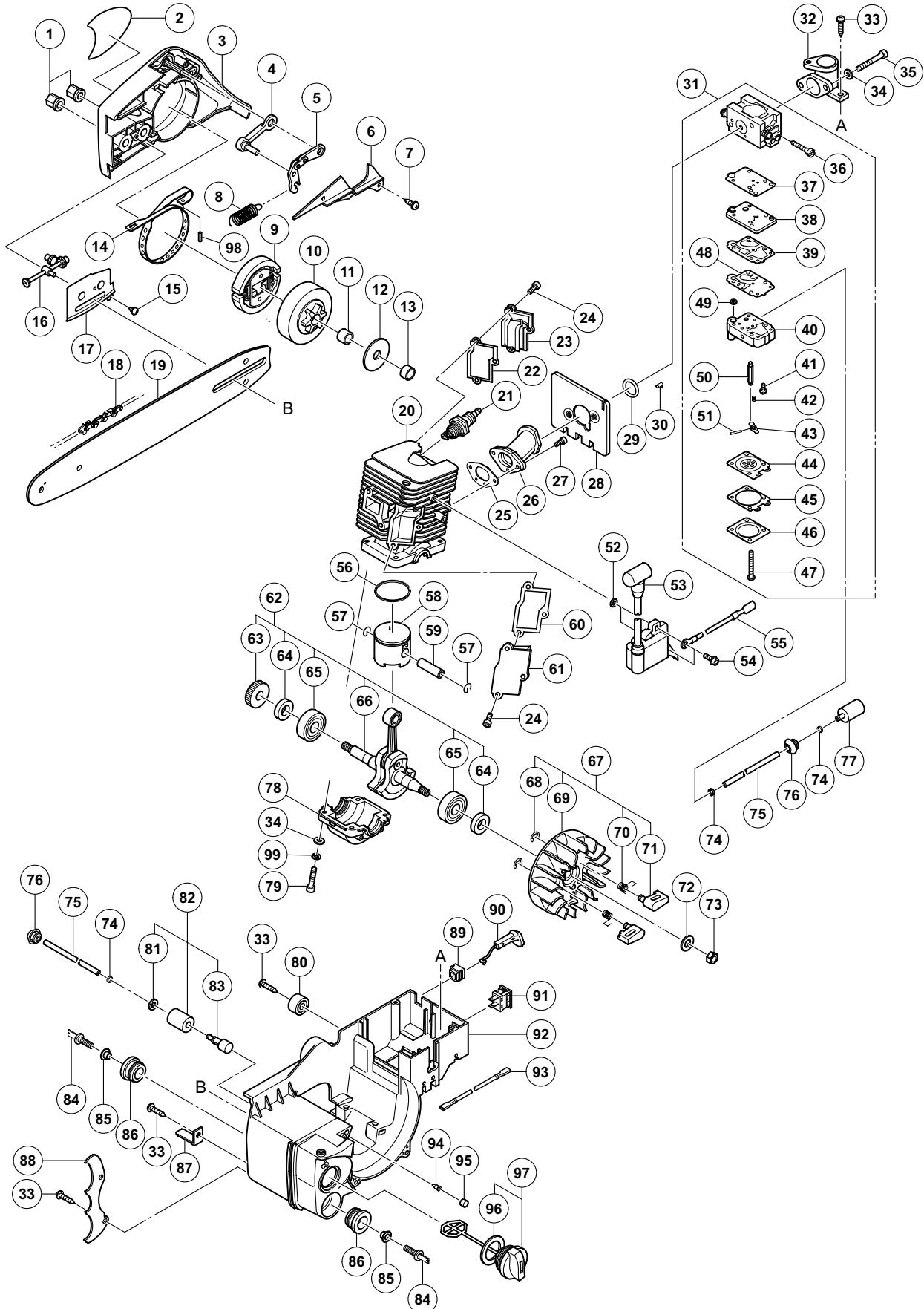


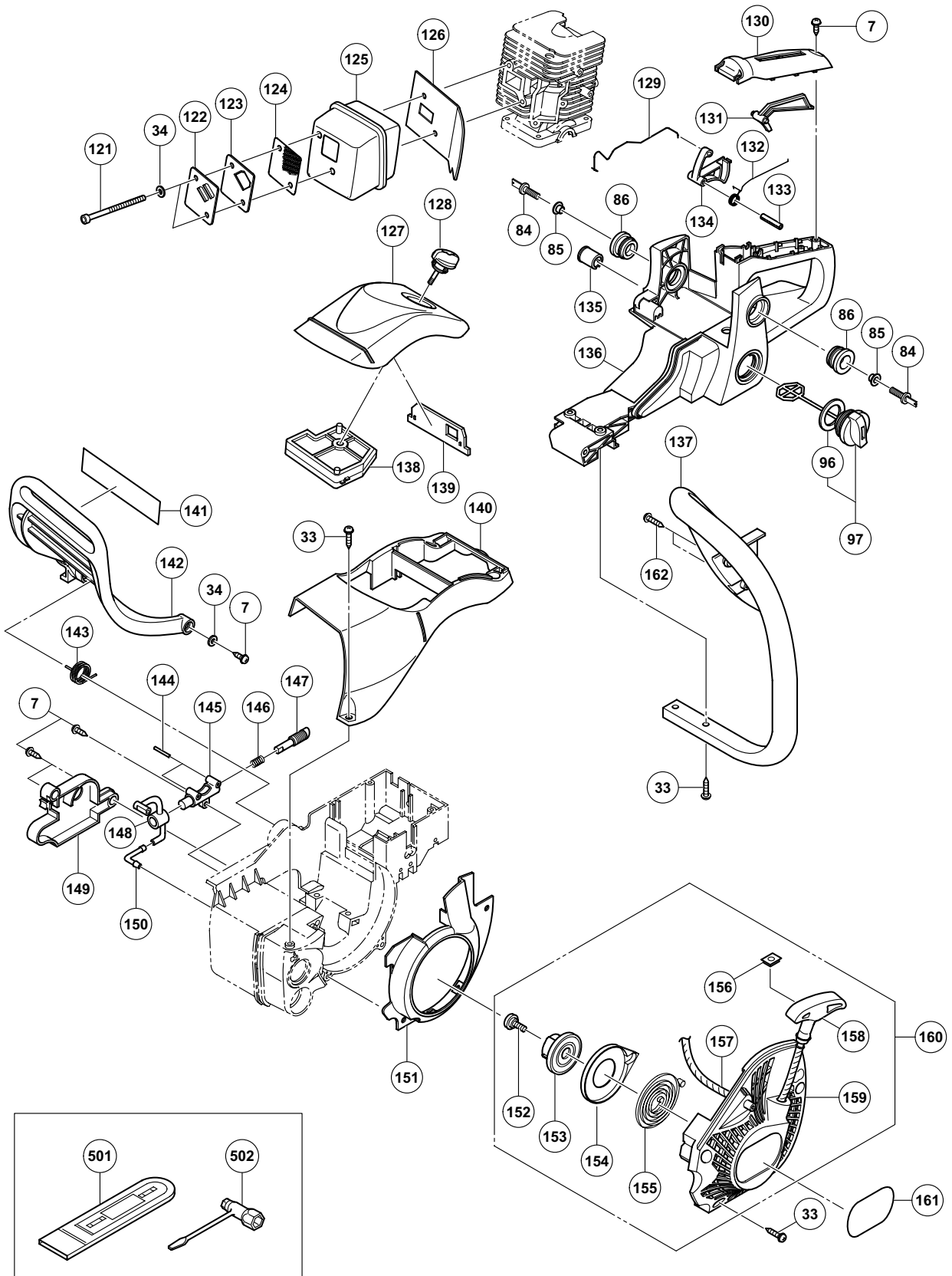
ENGINE TOOL PARTS LIST

ENGINE CHAIN SAW Model CS 33EB

2009·9·28

(E1)





PARTS

CS 33EB

| ITEM NO. | CODE NO. | DESCRIPTION | NO. USED | REMARKS |
|----------|----------|--|----------|--|
| 1 | 668-5416 | CHAIN BAR CLAMP NUT | 2 | |
| 2 | | NAME PLATE | 1 | |
| 3 | 668-5406 | SIDE COVER SUB | 1 | |
| 4 | 668-5387 | BRAKE SUPPORT | 1 | |
| 5 | 668-5388 | BRAKE LINK | 1 | |
| 6 | 668-5392 | BRAKE LINK COVER | 1 | |
| 7 | 305-812 | TAPPING SCREW (W/FLANGE) D4 X 16 (BLACK) | 7 | |
| 8 | 668-5389 | BRAKE SPRING | 1 | |
| 9 | 668-5362 | CLUTCH | 1 | |
| 10 | 668-5403 | CLUTCH HOUSING | 1 | |
| 11 | 668-5361 | NEEDLE BEARING (D) | 1 | |
| 12 | 668-5414 | CLUTCH WASHER | 1 | |
| 13 | 668-5360 | CRANK SHAFT COLLAR | 1 | |
| 14 | 668-5390 | BRAKE BAND | 1 | |
| 15 | 668-5415 | TAPPING SCREW D3 X 8 | 2 | |
| 16 | 668-5393 | CHAIN PULLER | 1 | |
| 17 | 668-5394 | GUIDE PLATE | 1 | |
| * 18 | 668-5170 | SAW CHAIN (3/8 X 12") 91VG-45E | 1 | |
| * 18 | 668-5171 | SAW CHAIN (3/8 X 14") 91VG-52E | 1 | |
| * 18 | 669-6330 | SAW CHAIN (3/8 X 16") 91VG-57E | 1 | |
| * 19 | 668-5258 | BAR 12 INCH | 1 | |
| * 19 | 668-5260 | BAR 14 INCH | 1 | |
| * 19 | 668-5262 | BAR 16 INCH | 1 | |
| * 20 | 668-5405 | CYLINDER (B) | 1 | |
| * 20 | 668-5404 | CYLINDER (A) | 1 | FOR EUROPE, USA, CAN (SINCE 8. 2009 FOR FRG) |
| * 21 | 668-5086 | SPARK PLUG BPMR6A | 1 | |
| * 21 | 668-5085 | SPARK PLUG BPM6A | 1 | EXCEPT FOR EUROPE, RUS, AUS, CHN, SAF, MEX, PAN, VIE |
| * 22 | 668-5317 | COVER PACKING (B) | 1 | FOR EUROPE, USA, CAN (SINCE 8. 2009 FOR FRG) |
| * 23 | 668-5315 | SCAVENGING COVER (B) | 1 | FOR EUROPE, USA, CAN (SINCE 8. 2009 FOR FRG) |
| * 24 | 669-6315 | SEAL LOCK HEX. SOCKET HD. BOLT M4 X 8 | 6 | FOR EUROPE, USA, CAN (SINCE 8. 2009 FOR FRG) |
| 25 | 668-5318 | INTAKE PACKING | 1 | |
| 26 | 668-5319 | INTAKE | 1 | |
| 27 | 949-812 | HEX. SOCKET HD. BOLT M4 X 10 (10 PCS.) | 2 | |
| 28 | 668-5322 | CARBURETOR INSULATOR | 1 | |
| 29 | 669-6316 | O-RING | 1 | |
| 30 | 668-5321 | PULSE GUIDE | 1 | |
| * 31 | 668-5435 | CARBURETOR ASS'Y (B) | 1 | INCLUD. 36-51 |
| * 31 | 668-5436 | CARBURETOR ASS'Y (A) | 1 | INCLUD. 36-51 FOR EUROPE USA, CAN (SINCE 8. 2009 FOR FRG) |
| 32 | 668-5323 | CLEANER SUPPORT | 1 | |
| 33 | 302-089 | TAPPING SCREW (W/FLANGE) D5 X 20 (BLACK) | 12 | |
| 34 | 668-5408 | WASHER 5 | 9 | |
| 35 | 669-6317 | HEX. SOCKET HD. BOLT M5 X 45 | 2 | |
| 36 | 669-6318 | IDLE ADJUSTING SCREW | 1 | |
| 37 | 669-6319 | PASSAGE GASKET | 1 | |
| 38 | 669-6320 | PASSAGE PLATE | 1 | |
| 39 | 669-6321 | PUMP GASKET | 1 | |
| 40 | 669-6322 | PUMP BODY | 1 | |
| 41 | 668-5218 | HINGE PIN SET SCREW | 1 | |

PARTS

CS 33EB

| ITEM NO. | CODE NO. | DESCRIPTION | NO. USED | REMARKS |
|----------|----------|---|----------|--|
| 42 | 669-6323 | METEALING LEVER SPRING | 1 | |
| 43 | 668-5217 | CONTROL LEVER | 1 | |
| 44 | 668-4690 | METERING DIAPHRAGM COMP. | 1 | |
| 45 | 668-5220 | DIAPHRAGM PACKING | 1 | |
| 46 | 668-5222 | DIAPHRAGM COVER | 1 | |
| 47 | 669-6324 | PUMP COVER SCREW | 4 | |
| 48 | 669-6325 | PUMP DIAPHRAGM | 1 | |
| 49 | 668-4700 | INLET SCREEN | 1 | |
| 50 | 668-5215 | NEEDLE VALVE | 1 | |
| 51 | 668-5219 | HINGE PIN | 1 | |
| 52 | 668-4600 | WASHER | 2 | |
| 53 | 668-5333 | IGNITION COIL | 1 | |
| 54 | 669-6326 | HEX. SOCKET HD. BOLT (W/FLANGE) M4 X 18 | 2 | |
| 55 | 668-5338 | CORD (B) | 1 | |
| 56 | 668-5331 | PISTON RING | 1 | |
| 57 | 668-5326 | CIRCLIP | 2 | |
| * 58 | 668-5325 | PISTON | 1 | |
| * 58 | 669-6313 | PISTON | 1 | FOR EUROPE, USA, CAN (SINCE 8. 2009 FOR FRG) |
| 59 | 668-5327 | PISTON PIN | 1 | |
| * 60 | 668-5316 | COVER PACKING (A) | 1 | FOR EUROPE, USA, CAN (SINCE 8. 2009 FOR FRG) |
| * 61 | 668-5314 | SCAVENGING COVER (A) | 1 | FOR EUROPE, USA, CAN (SINCE 8. 2009 FOR FRG) |
| 62 | 668-5396 | CRANK WORM ASS'Y | 1 | INCLUD. 63-66 |
| 63 | 668-5330 | WORM | 1 | |
| 64 | 668-5329 | OIL SEAL | 2 | |
| 65 | 668-5328 | BALL BEARING | 2 | |
| 66 | 668-5324 | CRANK SHAFT | 1 | |
| 67 | 668-5418 | MAGNETO ROTOR ASS'Y | 1 | INCLUD. 68-71 |
| 68 | 668-5336 | RETAINING RING D4 | 2 | |
| 69 | 668-5332 | MAGNETO ROTOR | 1 | |
| 70 | 668-5335 | STARTER PAWL SPRING | 2 | |
| 71 | 668-5334 | STARTER PAWL | 2 | |
| 72 | 668-5410 | BOLT WASHER D8 | 1 | |
| 73 | 668-5337 | FLYWHEEL NUT | 1 | |
| 74 | 668-5311 | CLIP | 3 | |
| 75 | 668-5309 | FUEL PIPE (A) | 2 | |
| 76 | 668-5308 | FUEL GROMMET (A) | 2 | |
| 77 | 668-5199 | PUMP FILTER BODY | 1 | |
| 78 | 668-5339 | CRANK CASE | 1 | |
| 79 | 668-5412 | SEAL LOCK HEX. SOCKET HD. BOLT M5 | 4 | |
| 80 | 668-5313 | DAMPER (B) | 1 | |
| 81 | 668-5407 | BOLT WASHER D5 | 1 | |
| 82 | 668-5249 | OIL FILTER BODY ASS'Y | 1 | INCLUD. 81, 83 |
| 83 | 668-5310 | OIL FILTER BODY | 1 | |
| 84 | 668-5413 | DAMPER SET BOLT | 4 | |
| 85 | 696-314 | DISTANCE PIECE (B) | 4 | |
| 86 | 669-6327 | DAMPER (A) | 4 | |
| 87 | 668-5363 | CHAIN CATCHER | 1 | |
| 88 | 668-5400 | SPIKE | 1 | |
| 89 | 668-5369 | CHOKE ROD RUBBER | 1 | |
| 90 | 668-5368 | CHOKE BUTTON | 1 | |

PARTS

CS 33EB

| ITEM NO. | CODE NO. | DESCRIPTION | NO. USED | REMARKS | |
|----------|----------|--|-------------------------|------------|--|
| 91 | 668-5364 | STOP SWITCH | 1 | | |
| 92 | 668-5307 | ENGINE CASE | 1 | | |
| 93 | 668-5365 | CORD (A) | 1 | | |
| 94 | 668-5370 | AIR VENT VALVE (B) | 1 | | |
| 95 | 668-5371 | AIR VENT SPONGE | 1 | | |
| 96 | 668-5386 | TANK CAP PACKING | 2 | | |
| 97 | 668-5384 | FUEL TANK CAP ASS'Y | 2 | INCLUD. 96 | |
| 98 | 668-5391 | NEEDLE ROLLER D3 | 1 | | |
| 99 | 949-454 | SPRING WASHER M5 (10 PCS.) | 4 | | |
| 121 | 669-6328 | SEAL LOCK HEX. SOCKET HD. BOLT M5 X 75 | 2 | | |
| * | 122 | 668-5343 | EXHAUST PIPE | 1 | FOR EUROPE, USA, CAN, AUS |
| * | 123 | 668-5345 | GAUZE FIXING PLATE | 1 | FOR USA, CAN, AUS |
| * | 124 | 668-5344 | MUFFLER GAUZE | 1 | FOR USA, CAN, AUS |
| * | 125 | 668-5341 | MUFFLER | 1 | |
| * | 125 | 668-5340 | MUFFLER | 1 | FOR EUROPE, USA, CAN (SINCE 8. 2009 FOR FRG) |
| * | 125 | 668-5342 | MUFFLER | 1 | FOR AUS |
| | 126 | 668-5346 | MUFFLER PACKING | 1 | |
| | 127 | 668-5382 | CLEANER COVER | 1 | |
| | 128 | 668-5383 | CLEANER KNOB | 1 | |
| | 129 | 668-5366 | THROTTLE ROD | 1 | |
| | 130 | 668-5367 | REAR HANDLE GRIP | 1 | |
| | 131 | 668-5350 | TRIGGER LOCKOUT | 1 | |
| | 132 | 668-5349 | THROTTLE LEVER SPRING | 1 | |
| | 133 | 668-5282 | SPRING PIN 5 X 25 | 1 | |
| | 134 | 668-5348 | THROTTLE LEVER | 1 | |
| | 135 | 668-5351 | INNER CAP | 1 | |
| | 136 | 668-5347 | REAR HANDLE | 1 | |
| | 137 | 668-5375 | FRONT HANDLE | 1 | |
| | 138 | 668-5378 | CLEANER ELEMENT | 1 | |
| | 139 | 668-5381 | SHUTTER PLATE | 1 | |
| * | 140 | 668-5376 | CYLINDER COVER | 1 | |
| * | 140 | 668-5377 | CYLINDER COVER | 1 | FOR EUROPE, USA, CAN (SINCE 8. 2009 FOR FRG) |
| * | 141 | | CAUTION LABEL (A) | 1 | FOR EUROPE |
| | 142 | 668-5373 | BRAKE HANDLE | 1 | |
| | 143 | 668-5374 | BRAKE LEVER SPRING | 1 | |
| | 144 | 668-5356 | NEEDLE ROLLER 2.5 X 9.8 | 2 | |
| | 145 | 668-5353 | PUMP CASE | 1 | |
| | 146 | 668-5355 | PUMP GEAR SPRING | 1 | |
| | 147 | 668-5354 | PUMP GEAR | 1 | |
| | 148 | 668-5357 | OIL PIPE | 1 | |
| | 149 | 668-5359 | PUMP COVER | 1 | |
| | 150 | 668-5358 | PIPE JOINT | 1 | |
| | 151 | 668-5372 | AIR DEFLECTOR | 1 | |
| | 152 | 668-5431 | SET SCREW | 1 | |
| | 153 | 668-5428 | REEL | 1 | |
| | 154 | 668-5430 | SPRING CASE | 1 | |
| | 155 | 668-5429 | RECOIL SPRING | 1 | |
| | 156 | 668-5434 | ROPE STOPPER | 1 | |
| | 157 | 668-5432 | ROPE | 1 | |
| | 158 | 668-5433 | STARTER KNOB | 1 | |

PARTS

CS 33EB

| ITEM NO. | CODE NO. | DESCRIPTION | NO. USED | REMARKS |
|----------|----------|--|----------|-----------------|
| 159 | 668-5426 | STARTER CASE | 1 | |
| 160 | 668-5424 | RECOIL STARTER ASS'Y | 1 | INCLUD. 152-159 |
| 161 | | HITACHI LABEL | 1 | |
| 162 | 305-558 | TAPPING SCREW (W/FLANGE) D5 X 25 (BLACK) | 2 | |
| | | | | |
| | | | | |
| | | | | |
| | | | | |
| | | | | |

STANDARD ACCESSORIES

| ITEM NO. | CODE NO. | DESCRIPTION | NO. USED | REMARKS |
|----------|----------|---------------------------|----------|---------|
| * 501 | 668-5401 | CHAIN COVER 12" | 1 | |
| * 501 | 668-5439 | CHAIN COVER 14" | 1 | |
| * 501 | 668-5440 | CHAIN COVER 16" | 1 | |
| 502 | 668-5402 | COMBI BOX SPANNER 10/19MM | 1 | |
| | | | | |
| | | | | |
| | | | | |
| | | | | |
| | | | | |
| | | | | |
| | | | | |
| | | | | |
| | | | | |

OPTIONAL ACCESSORIES

| ITEM NO. | CODE NO. | DESCRIPTION | NO. USED | REMARKS |
|----------|----------|--------------------------|----------|---------|
| * 601 | 668-5294 | CHAIN BAR 12 INCH 3/8 SP | 1 | |
| * 601 | 668-5295 | CHAIN BAR 14 INCH 3/8 SP | 1 | |
| 602 | 669-6329 | SPIKE SET | 1 | |
| | | | | |
| | | | | |
| | | | | |
| | | | | |
| | | | | |
| | | | | |
| | | | | |
| | | | | |
| | | | | |