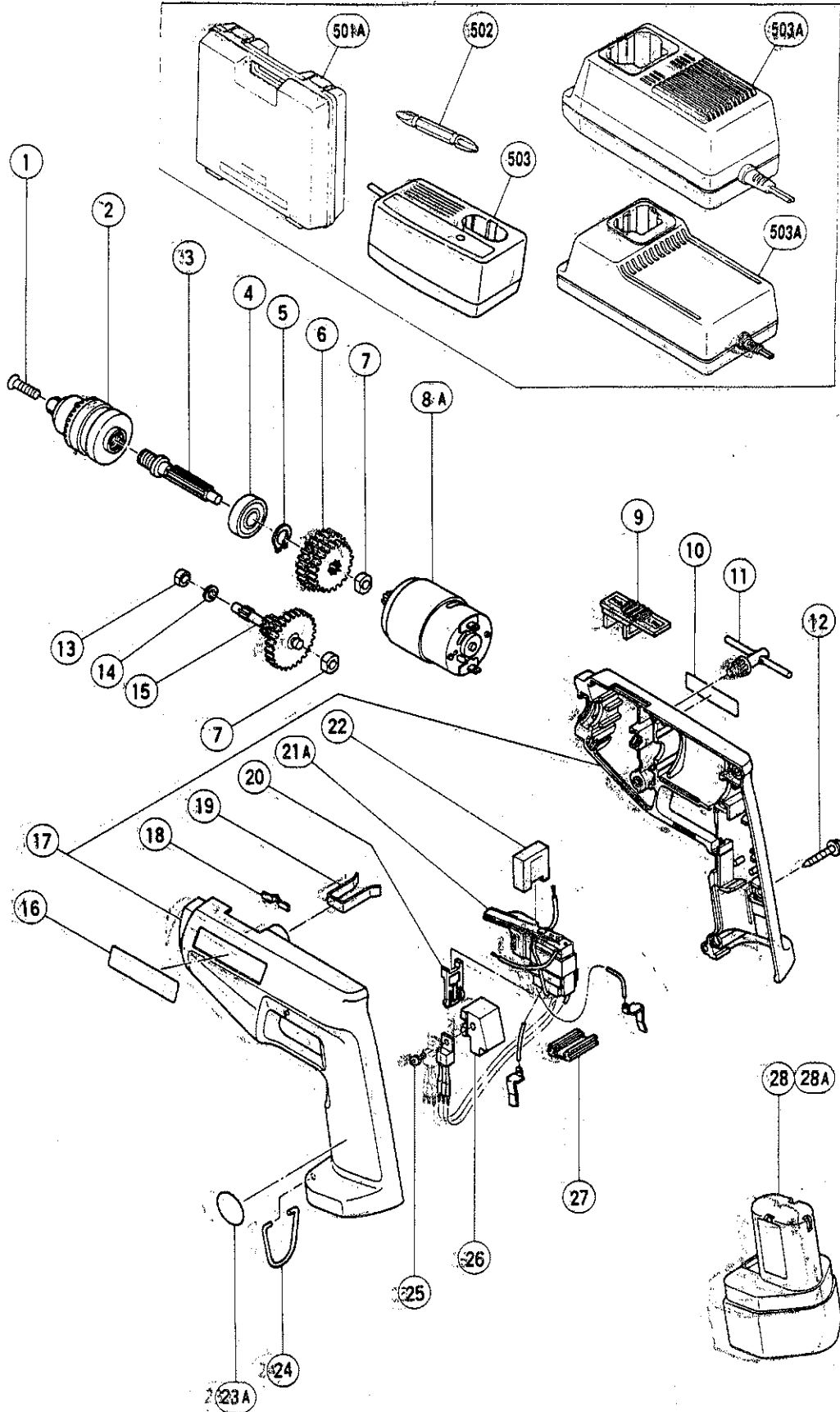


ELECTRIC TOOL PARTS LIST

■ CORDLESS DRIVER DRILL
Model D 10DG

1996 · 7 · 31
(54)



PARTS

D 10DG

ITEM NO.	CODE NO.	DESCRIPTION	NO. USED	REMARKS
1	992-077	FLAT HD. SCREW (LEFT HAND) M5X17	1	
2	950-292	DRILL CHUCK 10TLRA	1	INCLUD.11
2	301-553	DRILL CHUCK 10TLR - N (W/O CHUCK HANDLE)	1	FOR SUI,SWE,FIN,FRA
3	980-843	SPINDLE	1	
4	600-0VV	BALL BEARING 8000VVCMP2S	1	
5	939-540	RETAINING RING FOR D10 SHAFT (10 PCS.)	1	
6	981-348	FINAL GEAR	1	
7	997-752	METAL	2	
8A	303-395	MOTOR	1	
9	991-664	SHIFT KNOB	1	
10		CAUTION PLATE	1	
11	980-057	CHUCK WRENCH 10TL2	1	
12	930-448	TAPPING SCREW (W/WASHER) D4X16	8	
13	994-677	METAL D4X6	1	
14	949-423	WASHER M4 (10 PCS.)	1	
15	980-823	SECOND PINION	1	
16		NAME PLATE	1	
17	995-420	HOUSING (A),(B) SET	1	
18	980-829	SHIFT SPRING	1	
19	980-837	KEY HOLDER	1	
20	980-833	SWITCH LOCK	1	
21A	998-360	SWITCH (2P PLUG IN TYPE) W/O LOCK	1	
22	980-834	SEAL	1	
23A	987-135	MARK PLATE	1	
24	980-838	HOOK	1	
25	998-362	MACHINE SCREW (W/SP. WASHER) M3.5X8	1	
26	998-361	FIN	1	
27	991-666	TERMINAL SUPPORT	1	
26	981-642Z	BATTERY EB 9 (W/ENGLISH N.P.)	1	
28	991-643Z	BATTERY EB 9 (W/FRENCH N.P.)	1	FOR FRA
28	991-644Z	BATTERY EB 9 (W/ENGLISH N.P.)	1	FOR USA,CAN
28A	991-681	BATTERY EB 9 (W/ENGLISH N.P.)	1	FOR EUROPE (EXCEPT FOR FRA)

STANDARD ACCESSORIES

ITEM NO.	CODE NO.	DESCRIPTION	NO. USED	REMARKS
501A	302-375	CASE	1	FOR 1 HOUR CHARGER DEPENDING ON ORDER SPEC.
502	983-006	+ DRIVER BIT NO.2 65L	1	
503		CHARGER (MODEL UC 9SC)	1	DEPENDING ON ORDER SPEC.
503A		CHARGER (MODEL UC 12Y)	1	DEPENDING ON ORDER SPEC.
503A		CHARGER (MODEL UC 12YA)	1	DEPENDING ON ORDER SPEC.

*: ALTERNATIVE PARTS



Anschluß - Plan der D 10DG

