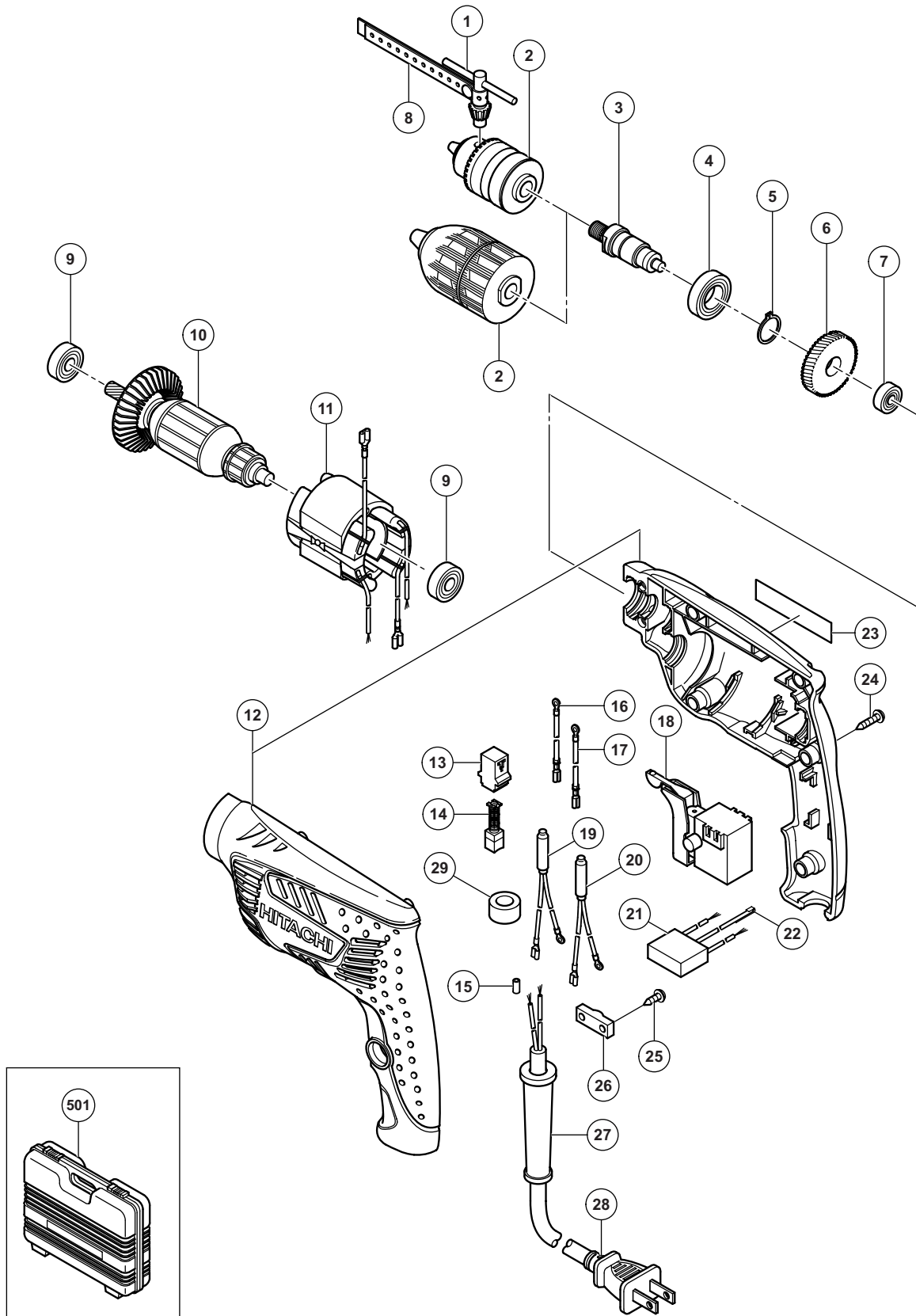


ELECTRIC TOOL PARTS LIST

■ DRILL
Model D 10VST

2012·3·1
(E2)



PARTS

D 10VST

ITEM NO.	CODE NO.	DESCRIPTION	NO. USED	REMARKS
* 1	980-057	CHUCK WRENCH 10TL2	1	FOR DRILL CHUCK
* 2	950-292	DRILL CHUCK 10TLRA	1	INCLUD. 1
* 2	331-602	DRILL CHUCK 10MM (W/O CHUCK WRENCH)	1	
3	334-198	SPINDLE	1	
4	690-2VV	BALL BEARING 6902VVCMP2L	1	
5	939-544	RETAINING RING FOR D15 SHAFT (10 PCS.)	1	
6	334-197	GEAR	1	
7	606-ZZM	BALL BEARING 606VVC2	1	
* 8	950-288	VINYL BAND	1	FOR DRILL CHUCK
9	333-945	BALL BEARING 608VV	2	
* 10	360-926C	ARMATURE 110 V-115 V	1	
* 10	360-926D	ARMATURE 120 V-127 V	1	
* 10	360-926E	ARMATURE 220 V-230 V	1	
* 10	360-926F	ARMATURE 240 V	1	
* 11	340-814C	STATOR 110 V-115 V	1	
* 11	340-814D	STATOR 120 V-127 V	1	
* 11	340-814G	STATOR 220 V	1	
* 11	340-814E	STATOR 230 V	1	
* 11	340-814F	STATOR 240 V	1	
* 12	334-196	HOUSING (A).(B) SET	1	
* 12	334-566	HOUSING (C).(D) SET	1	FOR EUROPE, GBR, AUT, TUR, AUS, NZL, CHN, KOR
13	930-483	BRUSH HOLDER	2	
14	999-041	CARBON BRUSH (1 PAIR)	2	
15	981-373	TUBE (D)	2	
* 16	334-194	INTERNAL WIRE (BROWN)	1	FOR SAF, UAE, KUW, IND, INA, THA, HKG, BRA, MEX, SIN
* 17	334-195	INTERNAL WIRE (BLUE)	1	FOR SAF, UAE, KUW, IND, INA, THA, HKG, BRA, MEX, SIN
* 18	330-716	SWITCH AC 250 V	1	
* 18	330-684	SWITCH AC 125 V	1	FOR GBR (110 V), SAF, BRA, MEX, SIN, TPE
* 19	334-191	CHOKE COIL (BROWN)	1	
* 19	334-193	CHOKE COIL (BROWN)	1	FOR GBR (110 V), TPE
* 20	334-190	CHOKE COIL (BLUE)	1	
* 20	334-192	CHOKE COIL (BLUE)	1	FOR GBR (110 V), TPE
* 21	334-472	NOISE SUPPRESSOR	1	FOR EUROPE, AUT, TUR, AUS, NZL, CHN, KOR, TPE
22	302-488	EARTH TERMINAL	1	
23		NAME PLATE	1	
24	301-653	TAPPING SCREW (W/FLANGE) D4 X 20 (BLACK)	7	
25	984-750	TAPPING SCREW (W/FLANGE) D4 X 16	2	
26	937-631	CORD CLIP	1	
* 27	953-327	CORD ARMOR D8.8	1	
* 27	938-051	CORD ARMOR D10.1	1	
* 28	500-409Z	CORD	1	(CORD ARMOR D8.8)
* 28	500-461Z	CORD	1	(CORD ARMOR D8.8) FOR GBR (110 V)
* 28	500-436Z	CORD	1	(CORD ARMOR D8.8) FOR GBR (230 V), HKG
* 28	500-470Z	CORD	1	(CORD ARMOR D10.1) FOR UAE, SAF, SIN
* 28	500-234Z	CORD	1	(CORD ARMOR D8.8) FOR BRA
* 28	500-240Z	CORD	1	(CORD ARMOR D8.8) FOR MEX
* 28	500-439Z	CORD	1	(CORD ARMOR D8.8) FOR AUS, NZL
* 28	500-237Z	CORD	1	(CORD ARMOR D8.8) FOR UAE, KUW, SIN
* 28	500-468Z	CORD	1	(CORD ARMOR D8.8) FOR CHN, THA
* 29	334-379	FERRITE CORE	1	FOR EUROPE, GBR (230 V), AUT, TUR, AUS, NZL, CHN, KOR

