

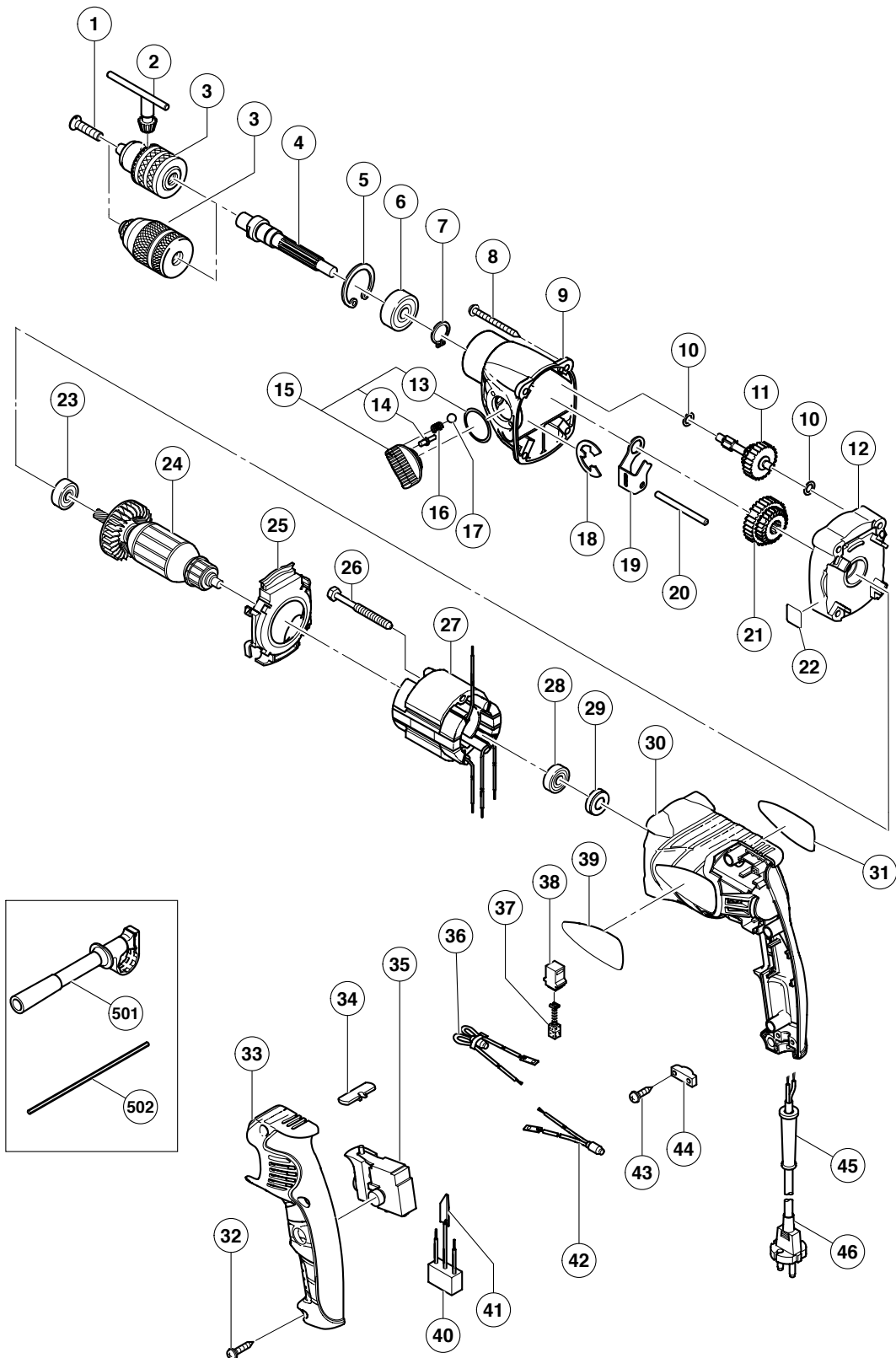
ELECTRIC TOOL PARTS LIST

■ DRILL

2004 · 11 · 15

Model D 13VB3

(E1)



PARTS

D 13VB3

ITEM NO.	CODE NO.	DESCRIPTION	NO. USED	REMARKS
1	995-344	FLAT HD. SCREW (A) (LEFT HAND) M6X25	1	
2	987-576	CHUCK WRENCH FOR 13VLB-D, 13VLR-D	1	
* 3	321-814	DRILL CHUCK 13VLRB-D	1	INCLUD. 1, 2
* 3	319-546	DRILL CHUCK 13VLR-N (W/O CHUCK WRENCH)	1	
4	323-971	SPINDLE (D)	1	
5	939-556	RETAINING RING FOR D35 HOLE (10 PCS.)	1	
6	620-2DD	BALL BEARING 620DDCMPS2L	1	
7	939-544	RETAINING RING FOR D15 SHAFT (10 PCS.)	1	
8	322-869	TAPPING SCREW (W/FLANGE) D5X50 (BLACK)	4	
9	323-959	GEAR COVER (A)	1	
10	322-852	WASHER (B)	2	
11	322-867	SECOND PINION AND GEAR SET	1	
12	323-972	INNER COVER (A)	1	
13	306-353	O-RING (S-22)	1	
14	322-848	SHIFT PIN	1	
15	322-847	SHIFT LEVER ASS'Y	1	INCLUD. 13, 14
16	981-328	SPRING (H)	1	
17	319-535	STEEL BALL D3.5 (10 PCS.)	1	
18	323-048	RETAINING RING (E-TYPE) FOR D15 SHAFT	1	
19	322-849	SHIFT ARM	1	
20	984-104	PIN D5	1	
21	322-846	GEAR SET	1	
22		LABEL (FOR SLIP CLUTCH)	1	
23	608-DDM	BALL BEARING 608DDC2PS2L	1	
* 24	360-652C	ARMATURE 110V	1	
* 24	360-652E	ARMATURE 230V	1	
* 24	360-652F	ARMATURE 240V	1	
25	322-843	FAN GUIDE	1	
26	961-672	HEX. HD. TAPPING SCREW D4X50	2	
* 27	340-587C	STATOR 110V	1	
* 27	340-587E	STATOR 230V	1	
* 27	340-587F	STATOR 240V	1	
28	698-T1X	BALL BEARING 698T1XZZ1MC2E NS7L	1	
29	309-929	RUBBER BUSHING	1	
30	322-861	HOUSING	1	
31		NAME PLATE	1	
32	301-653	TAPPING SCREW (W/FLANGE) D4X20 (BLACK)	3	
33	322-862	HANDLE COVER	1	
34	322-853	PUSHING BUTTON	1	
35	322-854	SWITCH (1P PILLAR TYPE)	1	
* 36	322-517	CHOKE COIL (BROWN) 220V-240V	1	
* 36	322-518	CHOKE COIL (BROWN) 110V	1	FOR GBR (110V)
37	999-041	CARBON BRUSH (1 PAIR)	2	
38	955-203	BRUSH HOLDER	2	
39		HITACHI LABEL	1	
40	994-273	NOISE SUPPRESSOR	1	
41	992-635	EARTH TERMINAL	1	
* 42	321-634	CHOKE COIL (BLUE) 110V-240V	1	
* 42	322-519	CHOKE COIL (BLUE) 110V	1	FOR GBR (110V)
43	984-750	TAPPING SCREW (W/FLANGE) D4X16	2	
44	937-631	CORD CLIP	1	

