

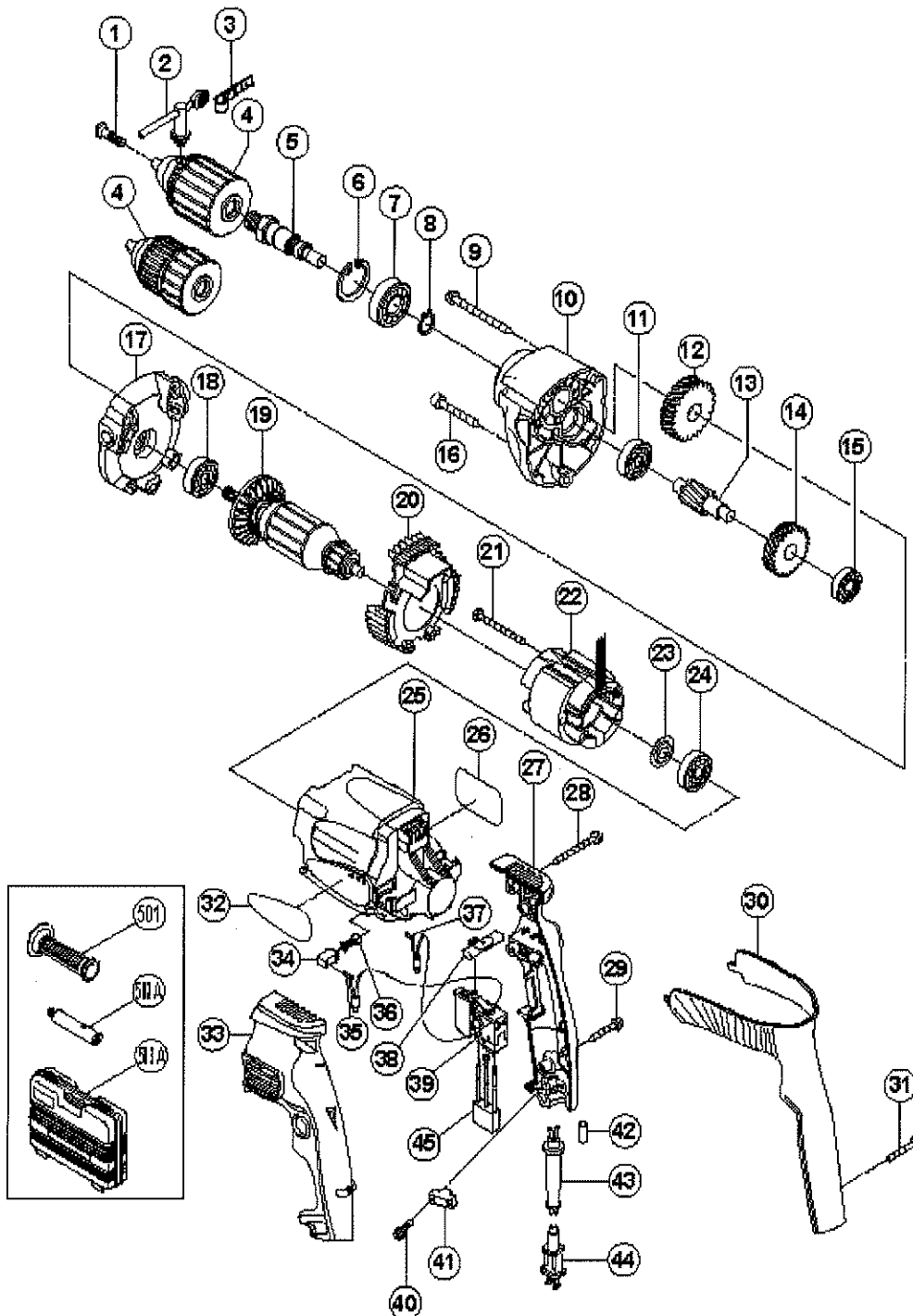
ELECTRIC TOOL PARTS LIST

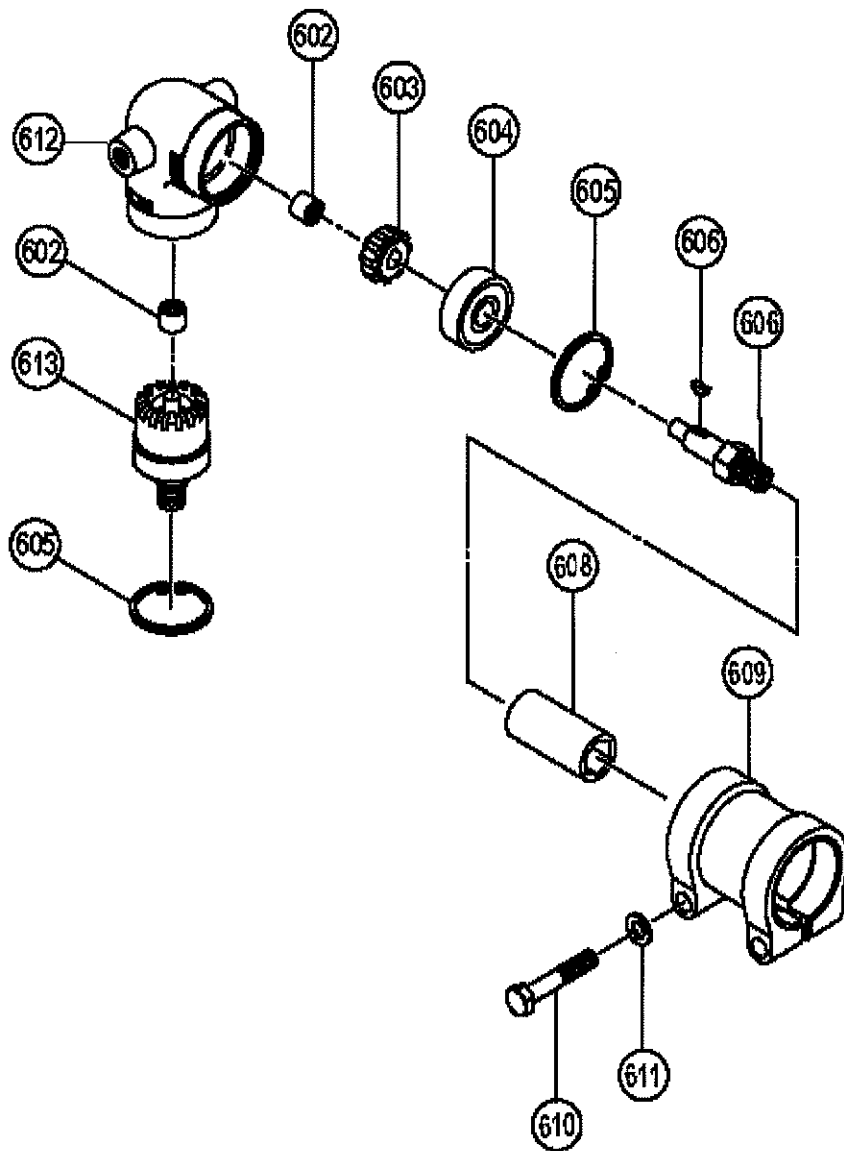
■ DRILL

2005 • 6 • 1

Model D 13VG

(E2-2)





TEILE

D13VG

Pos. Nr.	Art.Nr.	BESCHREIBUNG	Nr. STUE.	KOMMENTAR
1	311-959		1	
2	319-527		1	
3	950-288		1	
* 4	319-303		1	INCLUD.2
* 4	319-304		1	
5	319-346		1	
6	948-001		1	
7	600-2VV		1	
8	939-544		1	
9	305-701		2	
10	319-345		1	
11	627-VVM		1	
12	319-305		1	
13	319-548		1	
14	319-544		1	
15	606-ZZM		1	
16	316-458		1	
17	319-344		1	
18	608-DDM		1	
* 19	360-543U		1	INCLUD.18,23,24
* 19	360-543E		1	
* 19	360-543F		1	
20	319-329		1	
21	981-421		2	
* 22	340-494C		1	
* 22	340-504E		1	
23	982-631		1	
24	608-VVM		1	
25	319-328		1	
26			1	
27	319-331		1	
28	303-694		2	
29	301-653		1	
30	319-332		1	
31	319-337		2	
32			1	
33	319-330		1	
34	955-203		2	
* 35	319-341		1	FOR USA,CAN

*:ALTERNATIVTEILE

TEILE

D13VG

Pos. Nr.	Art.Nr.	BESCHREIBUNG	Nr. STUE	KOMMENTAR
* 35	320-197		1	FOR AUS,NZL,EUROPE
36	999-041		2	
* 37	319-340		1	FOR USA,CAN
* 37	320-196		1	FOR AUS,NZL,EUROPE
38	316-166		1	
* 39	319-302		1	FOR USA,CAN
* 39	320-195		1	FOR AUS,NZL,EUROPE
40	984-750		2	
41	937-631		1	
42	981-373		2	FOR CORD
43	953-327		1	FOR CORD
* 44	500-240Z		1	(CORD ARMOR D8.8) FOR USA,CAN
* 44	500-439Z		1	(CORD ARMOR D8.8) FOR AUS,NZL
* 44	500-247Z		1	(CORD ARMOR D8.8) FOR NOR,DEN,SWE,FIN
* 44	500-409Z		1	(CORD ARMOR D8.8) FOR EUROPE
* 44	500-447Z		1	(CORD ARMOR D8.8) FOR SUI
* 45	320-198		1	EXCEPT FOR USA,CAN

STANDARDZUBEHÖR

Pos. Nr.	Art.Nr.	BESCHREIBUNG	Nr. STUE	KOMMENTAR
501	981-205		1	
502A	319-550		1	
503A	319-543		1	
601	319-528		1	INCLUD.603-614
602	670-714		2	
603	986-149		1	
604	630-1VV		1	
605	986-147		2	
606	932-819		1	
607	986-146		1	
608	986-143		1	
609	986-142		1	
610	949-632		2	
611	949-426		2	
612	986-144		1	INCLUD.602
613	986-156		1	
614	949-168		1	
615	317-676		1	

