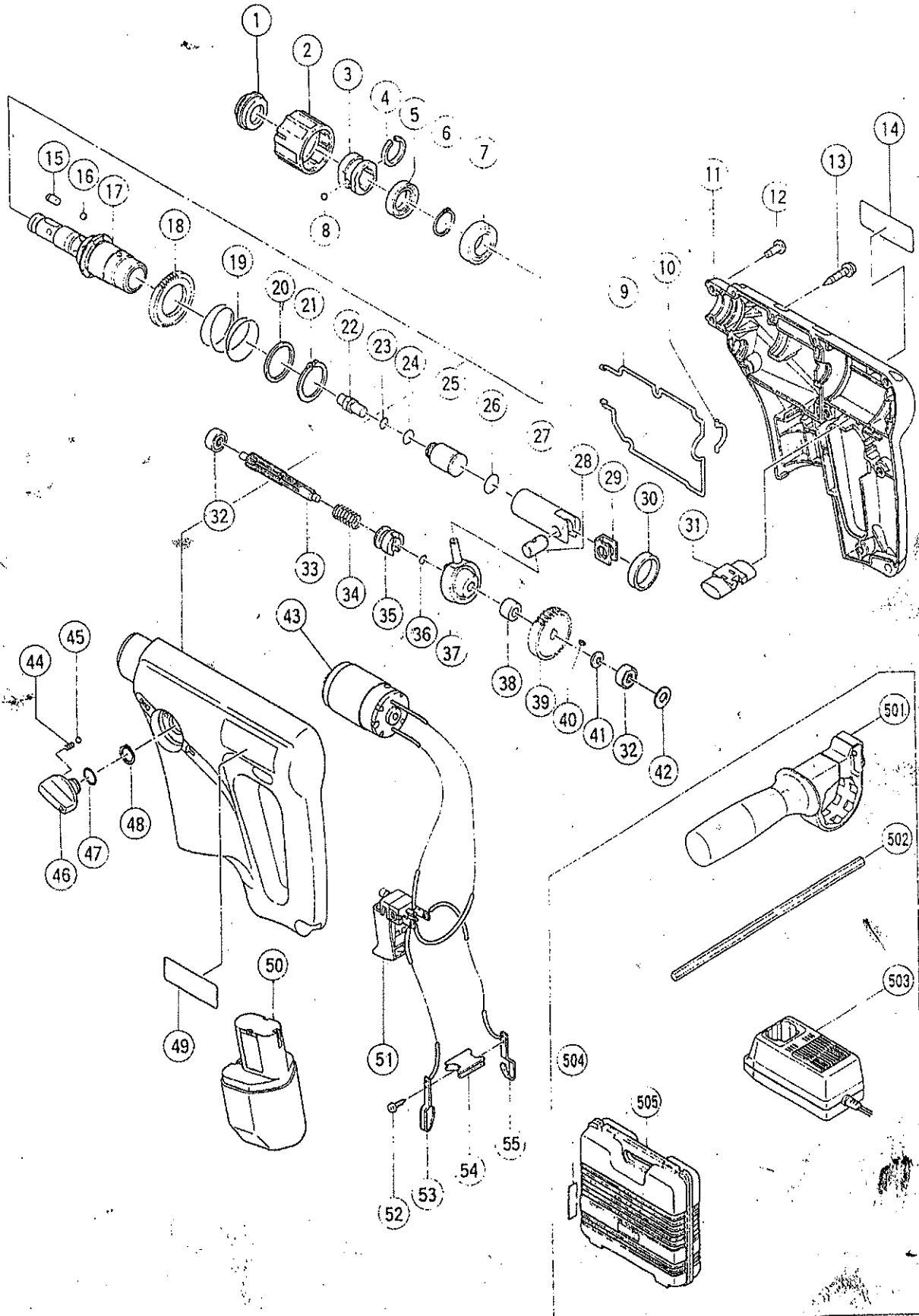


ELECTRIC TOOL PARTS LIST

■ CORDLESS HAMMER DRILL
Model DH 15D

1991.1.10
(E1)



PARTS

DH 15D

ITEM NO.	CODE NO.	DESCRIPTION	NO. USED	REMARKS
1	301-681	FRONT CAP	1	
2	301-652	GRIP	1	
3	301-674	NEEDLE HOLDER	1	
4	303-982	C - TYPE SPRING	1	
5	301-683	OIL SEAL	1	
6	939-547	RETAINING RING FOR D20 SHAFT (10 PCS.)	1	
7	690-4CM	BALL BEARING 6904CM	1	
8	959-150	STEEL BALL D6.35 (10 PCS.)	1	
9	303-983	RUBBER SEAL (A)	1	
10	303-984	RUBBER SEAL (B)	1	
11	303-997	HOUSING (A).(B) SET	1	
12	303-970	TAPPING SCREW (CLASS 2) D4X14	2	
13	302-086	TAPPING SCREW (W/FLANGE) D4X20 (BLACK)	9	
14		NAME PLATE	1	
15	301-673	NEEDLE ROLLER	2	
16	959-154	STEEL BALL D5.556 (10 PCS.)	4	
17	301-676	CYLINDER	1	
18	303-974	SECOND GEAR	1	
19	303-975	SPRING (A)	1	
20	301-679	WASHER (A)	1	
21	948-310	RETAINING RING FOR D30 SHAFT	1	
22	301-671	SECOND HAMMER	1	
23	301-672	O - RING (B)	1	
24	303-972	O - RING (D)	1	
25	301-669	STRIKER	1	
26	303-973	O - RING	1	
27	301-668	PISTON	1	
28	301-666	PISTON PIN	1	
29	303-977	WASHER (C)	1	
30	303-976	METAL	1	
31	303-969	PUSHING BUTTON	1	
32	626-VVM	BALL BEARING 626VVMC2ERPS2S	2	
33	303-978	SECOND PINION	1	
34	303-979	CLUTCH SPRING	1	
35	301-681	CLUTCH	1	
36	992-912	O - RING (S - 8)	1	
37	301-662	RECIPROCATING BEARING	1	
38	303-980	COLLAR	1	
39	303-981	FIRST GEAR	1	
40	944-109	FEATHER KEY 3X3X8	1	
41	995-634	WASHER (B) D12.5	1	
42	948-213	WASHER (B) D19	1	
43	303-987	MOTOR ASS'Y	1	INCLUD.53,55
44	981-328	SPRING (H)	1	
45	959-155	STEEL BALL D3.97 (10 PCS.)	1	
46	303-971	CHANGE LEVER	1	
47	876-319	O - RING (S - 14)	1	
48	939-543	RETAINING RING FOR D14 SHAFT (10 PCS.)	1	
49	303-994	HITACHI LABEL	1	
* 50	300-002	BATTERY EB 12 (W/ENGLISH N.P.)	1	
* 50	300-004	BATTERY EB 12 (W/ENGLISH N.P.)	1	FOR CAN

*: ALTERNATIVE PARTS

01 - 91

OPTIONAL ACCESSORIES

DH 15D

ITEM NO.	CODE NO.	DESCRIPTION	NO. USED	REMARKS
601	981-122	SPECIAL SCREW M6X22	1	
602	971-511Z	DRIVER BIT (A) NO.2 25L	1	
603	971-512Z	DRIVER BIT (A) NO.3 25L	1	
604	303-332	HAMMER DRILL CHUCK SET 13MM	1	INCLUD.605,606
605	303-334	CHUCK HANDLE	1	
606	303-335	RUBBER CAP	1	
607	303-820	DRILL CHUCK ADAPTER SET	1	INCLUD.608 - 610
608	930-515	CHUCK WRENCH 10G	1	
609	303-623	CHUCK ADAPTER (SDS PLUS)	1	
610	981-122	SPECIAL SCREW M6X22	1	
611	971-794	ANCHOR SETTING ADAPTER A W1/4 (MANUAL)	1	
612	971-795	ANCHOR SETTING ADAPTER A W5/16 (MANUAL)	1	
613	971-796	ANCHOR SETTING ADAPTER A W3/8 (MANUAL)	1	
614	971-797	ANCHOR SETTING ADAPTER A W1/2 (MANUAL)	1	
615	971-798	ANCHOR SETTING ADAPTER A W5/8 (MANUAL)	1	
616	971-799	ANCHOR SETTING ADAPTER B W1/4 (MANUAL)	1	
617	971-800	ANCHOR SETTING ADAPTER B W5/16 (MANUAL)	1	
618	971-801	ANCHOR SETTING ADAPTER B W3/8 (MANUAL)	1	
619	971-802	ANCHOR SETTING ADAPTER B W1/2 (MANUAL)	1	
620	971-803	ANCHOR SETTING ADAPTER B W5/8 (MANUAL)	1	
621	944-477	COTTER	1	
622	303-619	TAPER ADAPTER A (SDS PLUS)	1	
623	303-620	TAPER ADAPTER B (SDS PLUS)	1	
624	303-624	CHUCK ADAPTER (SDS PLUS)	1	
625	303-623	CHUCK ADAPTER (SDS PLUS)	1	
626	302-976	ANCHOR SETTING ADAPTER A (SDS) W1/4X280L	1	
627	302-975	ANCHOR SETTING ADAPTER A (SDS) W5/16X280	1	
628	303-621	ANCHOR SETTING ADAPTER A (SDS) W3/8X160L	1	
629	302-974	ANCHOR SETTING ADAPTER A (SDS) W3/8X280L	1	
630	302-979	ANCHOR SETTING ADAPTER B (SDS) W1/4X280L	1	
631	302-978	ANCHOR SETTING ADAPTER B (SDS) W5/16X280	1	
632	303-622	ANCHOR SETTING ADAPTER B (SDS) W3/8X160L	1	
633	302-977	ANCHOR SETTING ADAPTER B (SDS) W3/8X280L	1	
634	303-203	DUST COLLECTOR (A) ASS'Y	1	INCLUD.635 - 642
635	986-803	DUST COVER	1	
636	986-804	SEAL COVER	1	
637	948-310	RETAINING RING FOR D30 SHAFT	1	
638	958-063	WASHER	1	
639	959-150	STEEL BALL D6.35 (10 PCS.)	10	
640	986-805	OUTER RACE	1	
641	986-806	SOCKET	1	
642	303-204	SOCKET ADAPTER	1	
643	944-461	TAPER SHANK DRILL D12.3X110	1	
644	993-038	TAPER SHANK DRILL D12.7X110	1	
645	944-462	TAPER SHANK DRILL D14.3X110	1	
646	944-500	TAPER SHANK DRILL D14.5X110	1	
647	971-787	DUST CUP	1	
648	950-275	DRILL CHUCK 13VLR	1	INCLUD.649
649	930-515	CHUCK WRENCH 10G	1	
650	950-272	DRILL CHUCK 13VLA	1	INCLUD.651
651	930-515	CHUCK WRENCH 10G	1	