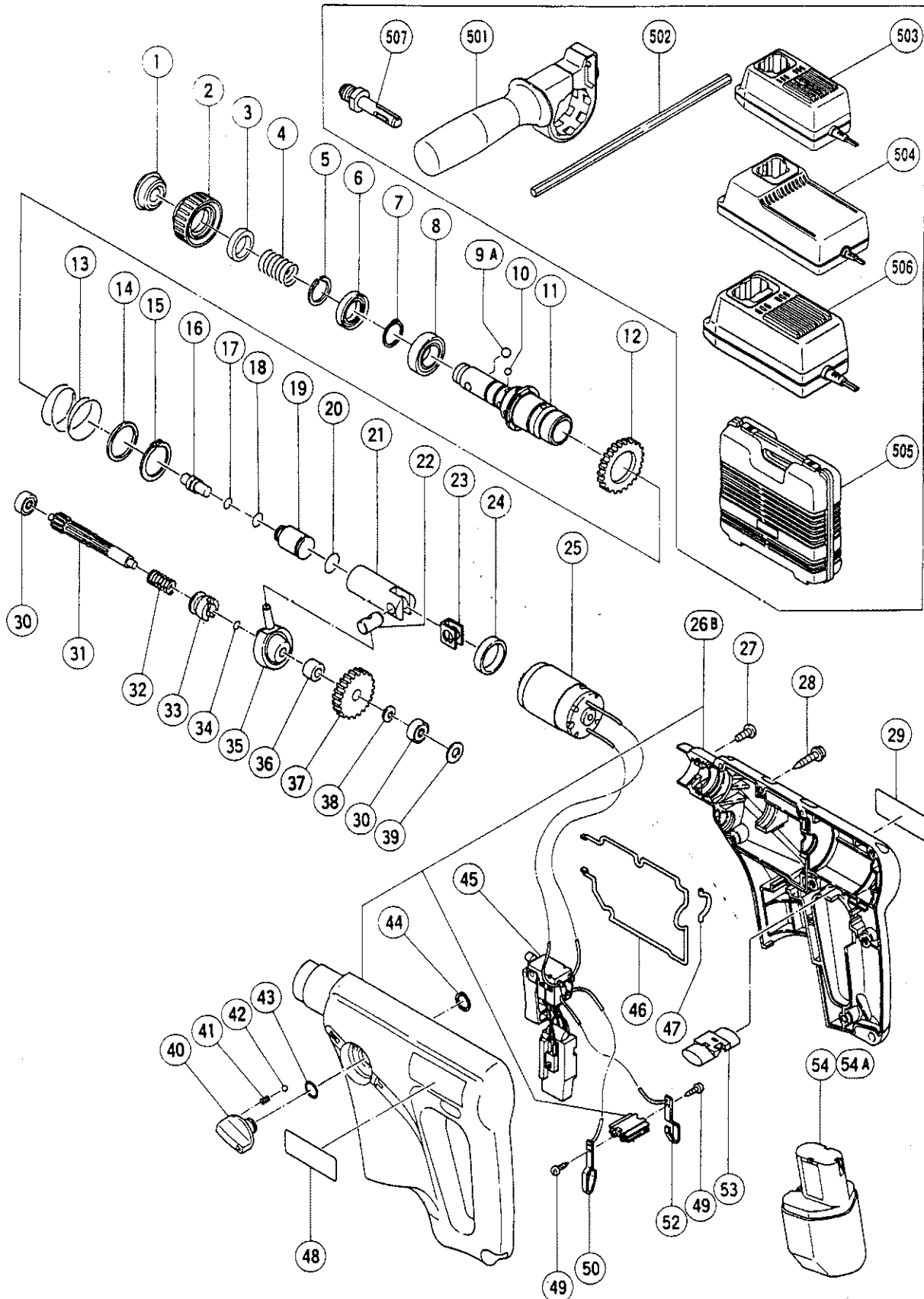


ELECTRIC TOOL PARTS LIST

■ CORDLESS HAMMER DRILL
Model DH 15DV

1996 · 7 · 31
(E2)



PARTS

DH 15DV

ITEM NO.	CODE NO.	DESCRIPTION	NO. USED	REMARKS
1	306-345	FRONT CAP	1	
2	306-992	GRIP	1	
3	306-343	BALL HOLDER	1	
4	306-342	HOLDER SPRING	1	
5	306-993	RETAINING RING	1	
6	301-683	OIL SEAL	1	
7	939-547	RETAINING RING FOR D20 SHAFT (10 PCS.)	1	
8	690-4CM	BALL BEARING 6904CM	1	
9A	959-156	STEEL BALL D7.0 (10 PCS.)	2	
10	959-154	STEEL BALL D5.556 (10 PCS.)	4	
11	306-987	CYLINDER	1	
12	303-974	SECOND GEAR	1	
13	303-975	SPRING (A)	1	
14	301-679	WASHER (A)	1	
15	948-310	RETAINING RING FOR D30 SHAFT	1	
16	301-671	SECOND HAMMER	1	
17	301-672	O - RING (B)	1	
18	303-972	O - RING (D)	1	
19	301-669	STRIKER	1	
20	303-973	O - RING	1	
21	301-668	PISTON	1	
22	301-666	PISTON PIN	1	
23	303-977	WASHER (C)	1	
24	303-976	METAL	1	
25	303-987	MOTOR	1	INCLUD.50,52
26B	310-005	HOUSING (A).(B) SET	1	INCLUD.TERMINAL PIECE
27	303-970	TAPPING SCREW (CLASS 2) D4X14	2	
28	301-653	TAPPING SCREW (W/FLANGE) D4X20 (BLACK)	9	
29		NAME PLATE	1	
30	626-VVM	BALL BEARING 626VVMC2ERPS2S	2	
31	306-989	SECOND PINION	1	
32	303-979	CLUTCH SPRING	1	
33	301-661	CLUTCH	1	
34	992-912	O - RING (S - 8)	1	
35	306-990	RECIPROCATING BEARING	1	
36	303-980	COLLAR	1	
37	306-991	FIRST GEAR	1	
38	995-634	WASHER (B) D12.5	1	
39	948-213	WASHER (B) D19	1	
40	303-971	CHANGE LEVER	1	
41	981-328	SPRING (H)	1	
42	959-155	STEEL BALL D3.97 (10 PCS.)	1	
43	876-319	O - RING (S - 14)	1	
44	939-543	RETAINING RING FOR D14 SHAFT (10 PCS.)	1	
45	306-995	SWITCH	1	
46	303-983	RUBBER SEAL (A)	1	
47	303-984	RUBBER SEAL (B)	1	
48		HITACHI LABEL	1	
49	958-715	TAPPING SCREW D4X10	2	
50	303-989	TERMINAL	1	
52	303-990	TERMINAL	1	

*: ALTERNATIVE PARTS

8 - 96

PARTS

DH 15DV

ITEM NO.	CODE NO.	DESCRIPTION	NO. USED	REMARKS
53	303-989	PUSHING BUTTON	1	
* 54	300-002	BATTERY EB 12 (W/ENGLISH N.P.)	1	
* 54	302-758	BATTERY EB 12 (W/ENGLISH N.P.)	1	FOR EUROPE (EXCEPT FOR FRA)
* 54	300-003	BATTERY EB 12 (W/FRENCH N.P.)	1	FOR FAR
* 54	300-004	BATTERY EB 12 (W/ENGLISH N.P.)	1	FOR CAN,USA
* 54A	307-334	BATTERY EB 12G (W/ENGLISH N.P.)	1	FOR ITA,NOR

STANDARD ACCESSORIES

ITEM NO.	CODE NO.	DESCRIPTION	NO. USED	REMARKS
501	303-659	SIDE HANDLE	1	
502	303-709	DEPTH GAUGE	1	
503		CHARGER (MODEL UC 12Y : 1 HOUR)	1	
504		CHARGER (MODEL UC 12YA : 15 MINUTES)	1	
* 505	303-993	CASE	1	EXCEPT FOR CAN
506		CHAGER (MODEL UC12YD)	1	
* 507	303-624	CHUCK ADAPTER (D) (SDS PLUS)	1	FOR AUS

OPTIONAL ACCESSORIES

ITEM NO.	CODE NO.	DESCRIPTION	NO. USED	REMARKS
601	971-511Z	+ DRIVER BIT (A) NO.2 25L	1	
602	971-512Z	+ DRIVER BIT (A) NO.3 25L	1	
603	303-332	HAMMER DRILL CHUCK SET 13MM	1	INCLUD.604,605
604	303-334	CHUCK HANDLE	1	
605	303-335	RUBBER CAP	1	
606	303-820	DRILL CHUCK AND ADAPTER SET (SDS PLUS)	1	INCLUD.607 -- 609
607	930-515	CHUCK WRENCH 10G	1	
608	303-623	CHUCK ADAPTER (G) (SDS PLUS)	1	
609	981-122	SPECIAL SCREW M6X22	1	
610	971-794	ANCHOR SETTING ADAPTER A W1/4" (MANUAL)	1	
611	971-795	ANCHOR SETTING ADAPTER A W5/16" (MANUAL)	1	
612	971-796	ANCHOR SETTING ADAPTER A W3/8" (MANUAL)	1	
613	971-797	ANCHOR SETTING ADAPTER A W1/2" (MANUAL)	1	
614	971-798	ANCHOR SETTING ADAPTER A W5/8" (MANUAL)	1	
615	971-799	ANCHOR SETTING ADAPTER B W1/4" (MANUAL)	1	
616	971-800	ANCHOR SETTING ADAPTER B W5/16" (MANUAL)	1	
617	971-801	ANCHOR SETTING ADAPTER B W3/8" (MANUAL)	1	
618	971-802	ANCHOR SETTING ADAPTER B W1/2" (MANUAL)	1	
619	971-803	ANCHOR SETTING ADAPTER B W5/8" (MANUAL)	1	
620	944-477	COTTER	1	
621	303-619	A - TAPER SHANK ADAPTER (SDS PLUS)	1	
622	303-620	B - TAPER SHANK ADAPTER (SDS PLUS)	1	
623	303-624	CHUCK ADAPTER (D) (SDS PLUS)	1	
624	303-623	CHUCK ADAPTER (G) (SDS PLUS)	1	
625	302-976	ANCHOR SETTING ADAPTER A (SDS+)W1/4X260L	1	
626	302-975	ANCHOR SETTING ADAPTER A(SDS+)W5/16X260L	1	
627	303-621	ANCHOR SETTING ADAPTER A (SDS+)W3/8X160L	1	
628	302-974	ANCHOR SETTING ADAPTER A (SDS+)W3/8X260L	1	
629	302-979	ANCHOR SETTING ADAPTER B (SDS+)W1/4X260L	1	

* : ALTERNATIVE PARTS

