

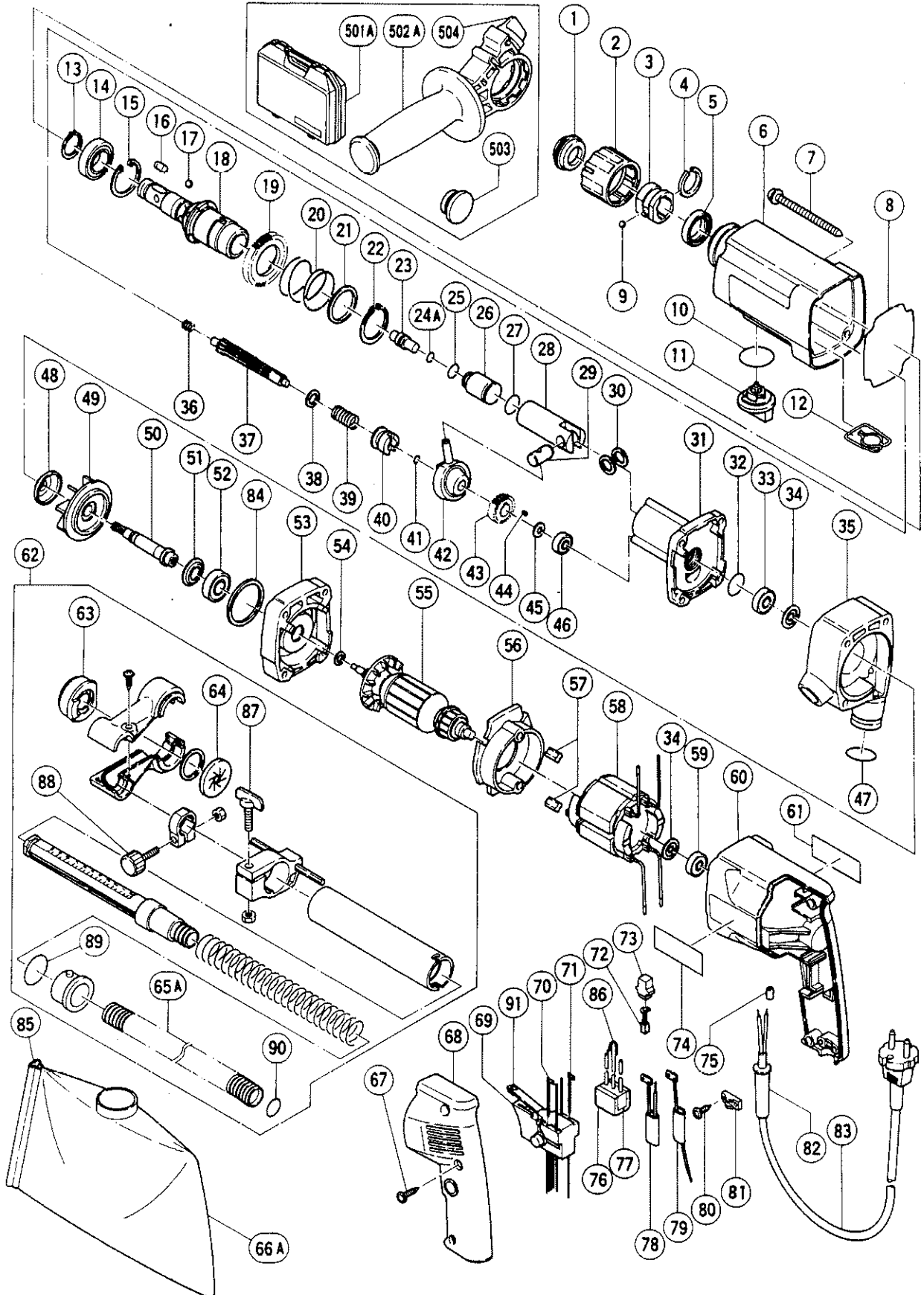
HITACHI

LIST NO. E416

ELECTRIC TOOL PARTS LIST

■ HAMMER DRILL
Model DH 22VD

1995.9.8
(E3)



PARTS

DH 22VD

ITEM NO.	CODE NO.	DESCRIPTION	NO. USED	REMARKS
1	301-681	FRONT CAP	1	
2	302-049	GRIP	1	
3	301-674	NEEDLE HOLDER	1	
4	301-675	C - TYPE SPRING	1	
5	301-683	OIL SEAL	1	
6	302-078	GEAR COVER	1	
7	302-210	TAPPING SCREW (W/FLANGE) D5X80	4	
8	301-657	RUBBER SEAL	1	
9	959-150	STEEL BALL D6.35 (10 PCS.)	1	
10	301-684	O - RING (S - 30)	1	
11	302-050	CHANGE LEVER	1	
12	301-685	SPRING (C)	1	
13	939-547	RETAINING RING FOR D20 SHAFT (10 PCS.)	1	
14	690-4CM	BALL BEARING 6904CM	1	
15	986-147	RETAINING RING FOR D37 HOLE	1	
16	301-673	NEEDLE ROLLER	2	
17	959-154	STEEL BALL D5.558 (10 PCS.)	4	
18	301-676	CYLINDER	1	
19	301-677	SECOND GEAR	1	
20	301-678	SPRING (A)	1	
21	301-679	WASHER (A)	1	
22	848-310	RETAINING RING FOR D30 SHAFT	1	
23	301-671	SECOND HAMMER	1	
24A	301-672	O - RING (B)	1	
25	301-680	O - RING (FPM 810)	1	
26	301-689	STRIKER	1	
27	301-670	O - RING (A)	1	
28	301-668	PISTON	1	
29	301-666	PISTON PIN	1	
30	301-667	WASHER (C)	2	
31	301-656	INNER COVER	1	
32	876-796	O - RING (P - 22)	1	
33	608-DDM	BALL BEARING 608DDMC2EPS2S	1	
34	982-631	WASHER (A)	2	
35	302-110	CASING (B)	1	
36	301-664	SPRING (B)	1	
37	301-658	SECOND SHAFT	1	
38	301-659	WASHER (B)	1	
39	301-660	CLUTCH SPRING	1	
40	301-661	CLUTCH	1	
41	992-912	O - RING (S - 8)	1	
42	306-980	RECIPROCATING BEARING	1	
43	301-665	FIRST GEAR	1	
44	944-109	FEATHER KEY 3X3X8	1	
45	301-663	SPACER	1	
46	626-VVM	BALL BEARING 626VVMC2ERPS2S	1	
47	302-371	O - RING	1	
48	302-113	SEAL PLATE	1	
49	302-111	DUST FAN	1	
50	302-112	DUST SHAFT	1	
51	993-052	DUST WASHER	1	

*: ALTERNATIVE PARTS

PARTS

DH 22VD

ITEM NO.	CODE NO.	DESCRIPTION	NO. USED	REMARKS
52	600-1DD	BALL BEARING 6001DDUCMPS2S	1	
53	302-109	CASING (A)	1	
54	302-114	RUBBER SLEEVE	1	
* 55	360-181C	ARMATURE 110V - 115V	1	
* 55	360-181D	ARMATURE 120V - 127V	1	
* 55	360-181E	ARMATURE 220V	1	
* 55	360-181F	ARMATURE 230V - 240V	1	
56	301-855	FAN GUIDE ASS'Y	1	INCLUD.57
57	994-343	RUBBER BUSHING	2	
* 58	340-188C	STATOR (C) 110V - 115V	1	
* 58	340-188D	STATOR (C) 120V - 127V	1	
* 58	340-188G	STATOR (C) 220V - 230V	1	FOR INA,SYR,ITA,FRG,FRA,HOL,DEN,FIN,SWE, AUT,NOR,SUI,GBR
* 58	340-188H	STATOR (C) 230V - 240V	1	FOR SIN,KUW,NGU,NZL,AUS,SAF
59	608-VVM	BALL BEARING 608VVMC2EPS2L	1	
60	302-051	HOUSING	1	
61		NAME PLATE	1	
62	302-074	DUST COLLECTION ADAPTER ASS'Y	1	INCLUD.63 - 65A,87 - 90
63	302-077	NOZZLE SEAL	1	
64	302-075	RUBBER CAP	1	
65A	302-076	HOSE ASS'Y	1	INCLUD.90
66A	302-048	DUST BAG ASS'Y	1	INCLUD.85
67	301-853	TAPPING SCREW (W/FLANGE) D4X20 (BLACK)	3	
68	302-052	HANDLE COVER	1	
* 69	301-890	SPEED CONTROL SWITCH ASS'Y (2P)100V - 127V	1	INCLUD.91
* 69	302-053	SPEED CONTROL SWITCH ASS'Y (2P)220V - 240V	1	INCLUD.91
* 70	301-888	INTERNAL WIRE (B) (BLUE)	1	
* 71	301-889	INTERNAL WIRE (B) (BROWN)	1	
72	999-080	CARBON BRUSH (AUTO STOP TYPE) (1 PAIR)	2	
73	955-203	BRUSH HOLDER	2	
74		HITACHI LABEL	1	
* 75	981-373	TUBE (D)	2	FOR CORD
* 76	930-153	SUPPORT (B)	1	FOR NZL,GBR,SAF,FRG,FRA,HOL,FIN,SWE,AUT, NOR,ITA,DEN
* 77	994-273	NOISE SUPPRESSOR	1	
* 78	302-054	CHOKE COIL (A)	1	FOR NZL,GBR,SAF,ITA,FRG,FRA,DEN,SWE,NOR, SUI,HOL,FIN,AUT
* 79	302-056	CHOKE COIL (B)	1	FOR NZL,GBR,SAF,ITA,FRG,FRA,DEN,SWE,NOR, SUI
* 79	302-057	CHOKE COIL (B)	1	FOR HOL,FIN,AUT
80	984-750	TAPPING SCREW (W/FLANGE) D4X16	2	
81	937-631	CORD CLIP	1	
* 82	980-193	CORD ARMOR D10.2	1	
* 82	930-487	CORD ARMOR D8.2	1	
* 83	500-239Z	CORD	1	(CORD ARMOR D10.2)
* 83	500-235Z	CORD	1	(CORD ARMOR D8.2) FOR INA,SUR
* 83	500-394Z	CORD	1	(CORD ARMOR D10.2) FOR SYR
* 83	500-406Z	CORD	1	(CORD ARMOR D8.2) FOR GBR,SAF
* 83	500-249Z	CORD	1	(CORD ARMOR D8.2) FOR USA
* 83	500-390Z	CORD	1	(CORD ARMOR D10.2) FOR ITA,FRG,FRA,HOL, DEN,FIN,SWE,AUT,NOR

*: ALTERNATIVE PARTS

