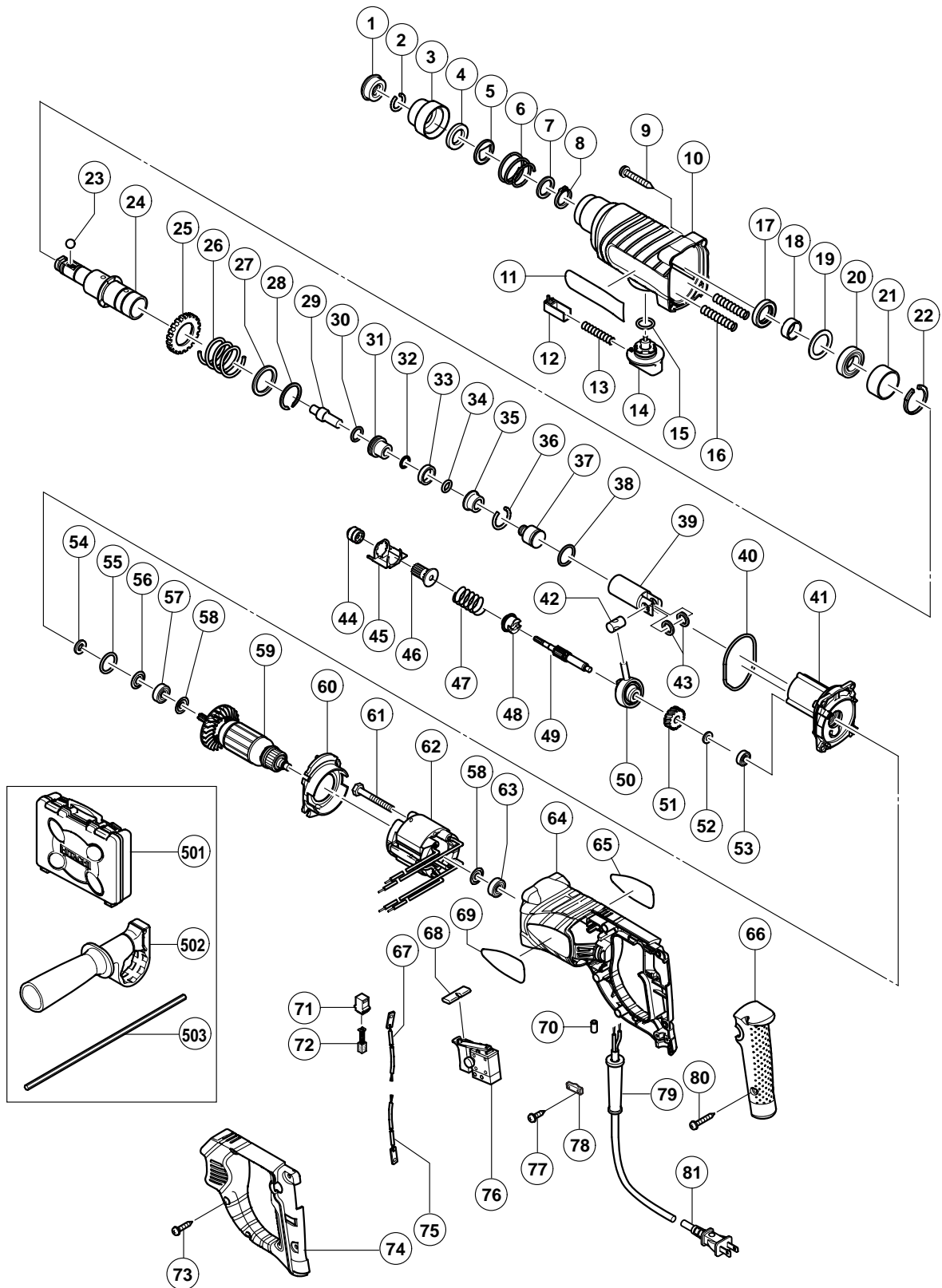


## ELECTRIC TOOL PARTS LIST

■ ROTARY HAMMER  
Model DH 24PF

2004 • 5 • 30  
(E1)



# PARTS

DH 24PF

ITEM NO.	CODE NO.	DESCRIPTION	NO. USED	REMARKS
1	306-345	FRONT CAP	1	
2	306-340	STOPPER RING	1	
3	322-809	GRIP	1	
4	322-810	BALL HOLDER	1	
5	322-811	HOLDER PLATE	1	
6	322-812	HOLDER SPRING	1	
7	984-118	WASHER (B)	1	
8	939-547	RETAINING RING FOR D20 SHAFT (10 PCS.)	1	
9	301-654	TAPPING SCREW (W/FLANGE) D5X35	4	
10	323-178	GEAR COVER	1	
11		HITACHI LABEL (A)	1	
12	322-789	PUSHING BUTTON	1	
13	317-223	PUSHING SPRING	1	
14	323-179	CHANGE LEVER	1	
15	878-885	O-RING (S-18)	1	
16	317-238	SPRING (B)	2	
17	307-688	OIL SEAL	1	
18	322-815	SLEEVE	1	
19	323-232	FELT PACKING (B)	1	
20	690-4DD	BALL BEARING 6904DDPS2L	1	
21	322-819	SLEEVE (A)	1	
22	322-813	RETAINING RING 37MM	1	
23	959-156	STEEL BALL D7.0 (10 PCS.)	1	
24	323-184	CYLINDER	1	
25	323-185	SECOND GEAR	1	
26	317-233	SPRING (A)	1	
27	317-234	WASHER (A)	1	
28	317-235	RETAINING RING D30	1	
29	322-803	SECOND HAMMER	1	
30	944-486	O-RING (1AP-20)	1	
31	322-804	HAMMER HOLDER	1	
32	322-802	O-RING (B)	1	
33	322-805	DAMPER (A)	1	
34	322-808	O-RING (C)	1	
35	322-806	DAMPER HOLDER	1	
36	322-807	STOPPER RING	1	
37	322-801	STRIKER	1	
38	322-834	O-RING (I.D.16)	1	
39	322-800	PISTON	1	
40	322-793	O-RING (I.D.66.5)	1	
41	322-792	INNER COVER	1	
42	322-798	PISTON PIN	1	
43	322-799	WASHER (C)	2	
44	323-249	PINION SLEEVE	1	
45	318-522	LOCK PLATE	1	
46	323-181	SECOND PINION	1	
47	323-182	CLUTCH SPRING	1	
48	323-183	CLUTCH	1	
49	323-180	SECOND SHAFT	1	
50	306-990	RECIPROCATING BEARING	1	
51	322-797	FIRST GEAR	1	

**PARTS**

ITEM NO.	CODE NO.	DESCRIPTION	NO. USED	REMARKS	
52	301-663	SPACER	1		
53	626-VVM	BALL BEARING 626VVC2PS2L	1		
54	322-816	FELT PACKING	1		
55	876-796	O-RING (P-22)	1		
56	322-818	PACKING WASHER	1		
57	608-DDM	BALL BEARING 608DDC2PS2L	1		
58	982-631	WASHER (A)	2		
59	360-644U	ARMATURE ASS'Y 120V	1	INCLUD. 57, 58, 63	
60	322-791	FAN GUIDE	1		
61	981-421	HEX. HD. TAPPING SCREW D4X55	2		
62	340-585C	STATOR 120V	1		
63	608-VVM	BALL BEARING 608VVC2PS2L	1		
64	323-197	HOUSING	1		
65		NAME PLATE	1		
66	322-865	GRIP COVER	1		
67	314-896	INTERNAL WIRE (B)	1		
68	322-790	PUSHING BUTTON	1		
69		HITACHI LABEL	1		
70	981-373	TUBE (D)	2		
71	955-203	BRUSH HOLDER	2		
72	999-072	CARBON BRUSH (AUTO STOP TYPE) (1 PAIR)	2		
73	301-653	TAPPING SCREW (W/FLANGE) D4X20 (BLACK)	3		
74	323-198	HANDLE COVER	1		
75	314-895	INTERNAL WIRE (B)	1		
76	322-820	SWITCH (A)	1		
77	984-750	TAPPING SCREW (W/FLANGE) D4X16	2		
78	937-631	CORD CLIP	1		
79	953-327	CORD ARMOR D8.8	1		
80	307-028	TAPPING SCREW (W/FLANGE) D4X25 (BLACK)	2		
81	500-249Z	CORD	1		

## STANDARD ACCESSORIES

DH 24PF

ITEM NO.	CODE NO.	DESCRIPTION	NO. USED	REMARKS
501	323-129	CASE	1	
502	303-659	SIDE HANDLE	1	
503	310-331	DEPTH GAUGE	1	

## OPTIONAL ACCESSORIES

ITEM NO.	CODE NO.	DESCRIPTION	NO. USED	REMARKS
601	980-927	GREASE FOR HAMMER.HAMMER DRILL (500G)	1	
602	981-840	GREASE (A) FOR HAMMER.HAMMER DRILL (30G)	1	
603	308-471	GREASE FOR HAMMER.HAMMER DRILL (70G)	1	
604	306-885	DUST COLLECTOR (B) ASS'Y	1	INCLUD. 605
605	306-910	SOCKET ADAPTER (B)	1	
606	971-787	DUST CUP	1	
607	306-910	SOCKET ADAPTER (B)	1	
608	931-844	STOPPER	1	
609	321-813	DRILL CHUCK 13VLD-D	1	INCLUD. 610
610	303-334	CHUCK HANDLE	1	
611	971-511Z	+ DRIVER BIT (A) NO.2 25L	1	
612	971-512Z	+ DRIVER BIT (A) NO.3 25L	1	
613	944-477	COTTER	1	
614	982-684	CENTER PIN (A) 109L FOR CORE BIT D32-38	1	
615	982-685	CENTER PIN (B) 104L FOR CORE BIT D45-90	1	
616	982-672	CORE BIT (A) 25MM	1	
617	982-673	CORE BIT (A) 29MM	1	
618	982-674	CORE BIT (A) 32MM	1	INCLUD. 619
619	982-686	GUIDE PLATE (FOR CORE BIT 32MM)	1	
620	982-675	CORE BIT (A) 35MM	1	INCLUD. 621
621	982-687	GUIDE PLATE (FOR CORE BIT 35MM)	1	
622	982-676	CORE BIT (A) 38MM	1	INCLUD. 623
623	982-688	GUIDE PLATE (FOR CORE BIT 38MM)	1	
624	982-677	CORE BIT (B) 45MM	1	INCLUD. 625
625	982-689	GUIDE PLATE (FOR CORE BIT 45MM)	1	
626	982-678	CORE BIT (B) 50MM	1	INCLUD. 627
627	982-690	GUIDE PLATE (FOR CORE BIT 50MM)	1	
628	971-794	ANCHOR SETTING ADAPTER A W1/4" (MANUAL)	1	
629	971-795	ANCHOR SETTING ADAPTER A W5/16" (MANUAL)	1	
630	971-796	ANCHOR SETTING ADAPTER A W3/8" (MANUAL)	1	
631	971-797	ANCHOR SETTING ADAPTER A W1/2" (MANUAL)	1	
632	971-798	ANCHOR SETTING ADAPTER A W5/8" (MANUAL)	1	
633	971-799	ANCHOR SETTING ADAPTER B W1/4" (MANUAL)	1	
634	971-800	ANCHOR SETTING ADAPTER B W5/16" (MANUAL)	1	
635	971-801	ANCHOR SETTING ADAPTER B W3/8" (MANUAL)	1	
636	971-802	ANCHOR SETTING ADAPTER B W1/2" (MANUAL)	1	
637	971-803	ANCHOR SETTING ADAPTER B W5/8" (MANUAL)	1	
638	944-460	TAPER SHANK DRILL BIT D11X100	1	
639	944-461	TAPER SHANK DRILL BIT D12.3X110	1	
640	993-038	TAPER SHANK DRILL BIT D12.7X110	1	
641	944-462	TAPER SHANK DRILL BIT D14.3X110	1	

**OPTIONAL ACCESSORIES**

ITEM NO.	CODE NO.	DESCRIPTION	NO. USED	REMARKS
642	944-500	TAPER SHANK DRILL BIT D14.5X110	1	
643	944-463	TAPER SHANK DRILL BIT D17.5X120	1	
644	944-464	TAPER SHANK DRILL BIT D21.5X140	1	
645	320-859	SYRINGE (BLOW-OUT BULB TYPE)	1	
646	303-046	BULL POINT (SDS+) 250MM (ROUND SHANK TYPE)	1	
647	303-044	CHEMICAL ANCHOR ADAPTER (SDS+) 12.7MMX90L	1	
648	303-045	CHEMICAL ANCHOR ADAPTER (SDS+) 19.0MMX100L	1	
649	302-976	ANCHOR SETTING ADAPTER A (SDS+) W1/4X260L	1	
650	302-975	ANCHOR SETTING ADAPTER A (SDS+) W5/16X260L	1	
651	303-621	ANCHOR SETTING ADAPTER A (SDS+) W3/8X160L	1	
652	302-974	ANCHOR SETTING ADAPTER A (SDS+) W3/8X260L	1	
653	302-979	ANCHOR SETTING ADAPTER B (SDS+) W1/4X260L	1	
654	302-978	ANCHOR SETTING ADAPTER B (SDS+) W5/16X260L	1	
655	303-622	ANCHOR SETTING ADAPTER B (SDS+) W3/8X160L	1	
656	302-977	ANCHOR SETTING ADAPTER B (SDS+) W3/8X260L	1	
657	303-332	HAMMER DRILL CHUCK SET 13MM	1	INCLUD. 658, 659
658	303-334	CHUCK HANDLE	1	
659	303-335	RUBBER CAP	1	
660	303-617	TAPER SHANK ADAPTER (SDS PLUS) NO.1	1	
661	303-618	TAPER SHANK ADAPTER (SDS PLUS) NO.2	1	
662	303-619	A-TAPER SHANK ADAPTER (SDS PLUS)	1	
663	303-620	B-TAPER SHANK ADAPTER (SDS PLUS)	1	
664	303-627	CORE BIT SHANK (SDS PLUS) 45-90MM 300L	1	
665	303-625	CORE BIT SHANK (SDS PLUS) 25-38MM 105L	1	
666	303-626	CORE BIT SHANK (SDS PLUS) 25-38MM 300L	1	
667	303-624	CHUCK ADAPTER (D) (SDS PLUS)	1	
668	321-825	DRILL CHUCK AND ADAPTER SET	1	INCLUD. 669, 670
669	303-623	CHUCK ADAPTER (G) (SDS PLUS)	1	
670	321-814	DRILL CHUCK 13VLRB-D	1	INCLUD. 671, 672
671	303-334	CHUCK HANDLE	1	
672	995-344	FLAT HD. SCREW (A) (LEFT HAND) M6X25	1	
673	306-369	DRILL BIT (SLENDER SHAFT) D3.4X90	1	
674	306-368	DRILL BIT (SLENDER SHAFT) D3.5X90	1	
675	306-370	ADAPTER FOR SLENDER SHAFT (SDS PLUS)	1	

ITEM NO.	CODE NO.	DESCRIPTION	NO. USED	REMARKS	