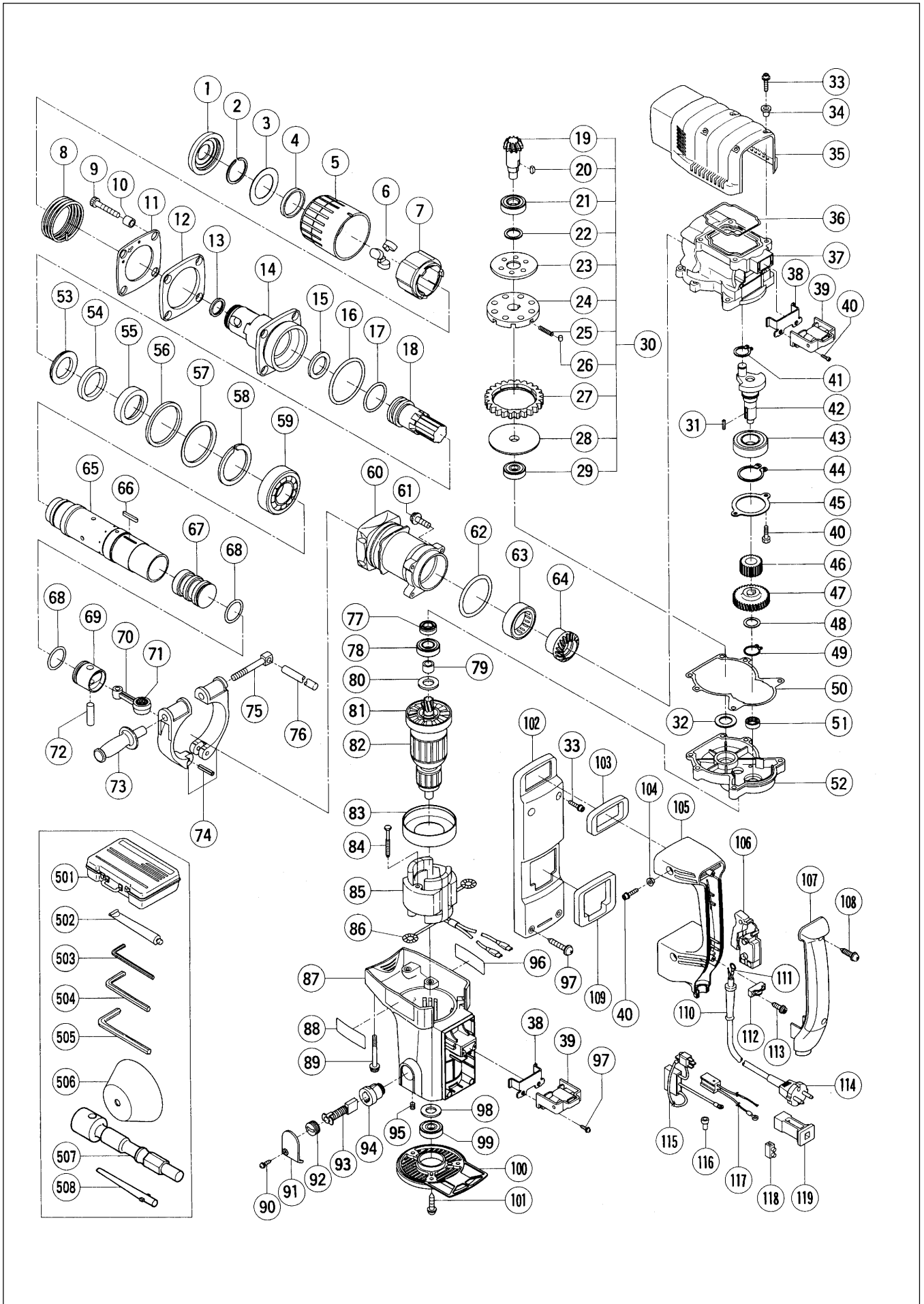


# Assembly Diagram for DH 45SA



## PARTS

DH 45SA

ITEM NO.	CODE NO.	DESCRIPTION	NO. USED	REMARKS
1	318-758	FRONT CAP	1	
2	318-757	RETAINING RING D35	1	
3	318-756	FRONT WASHER (A)	1	
4	318-755	DAMPER RING	1	
5	318-754	GRIP	1	
6	313-069	SADDLE KEY	3	
7	318-752	SADDLE KEY HOLDER	1	
8	318-753	RETAINER SPRING	1	
9	306-437	NYLOCK HEX. SOCKET HD. BOLT M8X30	4	
10	986-892	COLLAR	4	
11	319-075	FRONT WASHER	1	
12	319-074	FRONT DAMPER	1	
13	318-759	DUST COVER	1	
14	318-751	FRONT COVER	1	
15	318-762	DAMPER (B)	1	
16	956-996	O-RING (1AS-60)	1	
17	986-882	O-RING	1	
18	318-743	SECOND HAMMER	1	
19	318-551	BEVEL PINION	1	
20	944-109	FEATHER KEY 3X3X8	1	
21	620-2DD	BALL BEARING 6202DDCMPS2L	1	
22	313-058	WASHER	1	
23	318-552	WASHER (A)	1	
24	318-554	GEAR HOLDER	1	
25	318-555	SPRING (C)	8	
26	313-057	NEEDLE PIN D6X6	8	
27	318-553	SECOND GEAR	1	
28	318-556	SPACER	1	
29	629-VVM	BALL BEARING 629VVC2PS2L	1	
30	318-550	SLIP CLUTCH ASS'Y	1	INCLUD.19-29
31	945-072	FEATHER KEY 5X5X15	2	
32	944-525	BEARING WASHER (C)	1	
33	313-082	NYLOCK BOLT (W/FLANGE) M5X16	6	
34	991-711	DISTANCE PIECE (B)	4	
35	318-584	CRANK CASE COVER ASS'Y	1	INCLUD.34
36	313-084	RUBBER SEAL	1	
37	318-543	CRANK CASE	1	
38	980-750	GUIDE PLATE	2	
39	980-727	HANDLE RUBBER	2	
40	878-181	NYLOCK HEX. SOCKET HD. BOLT M5X16	8	
41	939-542	RETAINING RING FOR D12 SHAFT (10 PCS.)	1	
42	318-544	CRANK SHAFT	1	
43	620-5DD	BALL BEARING 6205DDCMPS2L	1	
44	965-469	RETAINING RING FOR D25 SHAFT	1	
45	318-548	BEARING COVER	1	
46	318-545	SECOND PINION	1	
47	318-546	FIRST GEAR	1	
48	318-547	THRUST WASHER	1	
49	967-261	RETAINING RING FOR D17 SHAFT	1	
50	318-549	SEAL PACKING	1	
51	939-299	NEEDLE BEARING (M661)	1	

\* : ALTERNATIVE PARTS

3 - 00

## PARTS

DH 45SA

ITEM No.	CODE NO.	DESCRIPTION	NO. USED	REMARKS	
52	318-595	GEAR COVER	1		
53	993-235	DAMPER WASHER	1		
54	318-745	DAMPER	1		
55	318-746	DAMPER HOLDER	1		
56	318-748	URETHANE RING	1		
57	318-747	URETHANE RING HOLDER	1		
58	318-582	RETAINING RING D40	1		
59	600-8CM	BALL BEARING 6008CM	1		
60	318-749	CYLINDER CASE	1		
61	318-451	NYLOCK BOLT (W/FLANGE) M6X35	4		
62	985-779	O-RING (D)	1		
63	985-782	NEEDLE BEARING (M526320)	1		
64	318-741	BEVEL GEAR	1		
65	318-740	CYLINDER	1		
66	971-750	FEATHER KEY 3X3X20	2		
67	318-742	STRIKER	1		
68	318-917	O-RING (FPM 710)	2		
69	985-772	PISTON	1		
70	318-557	CONNECTING ROD ASS'Y	1	INCLUD.71	
71	980-756	NEEDLE BEARING (NSK AJ50 1203)	1		
72	955-593	PISTON PIN	1		
73	318-574	SIDE HANDLE	1		
74	318-575	HANDLE HOLDER	1		
75	318-576	HANDLE BOLT	1		
76	971-786	STOPPER ROD	1		
77	318-596	OIL SEAL (FPM 707)	1		
78	620-3VV	BALL BEARING 6203VVCMP2L	1		
79	318-597	SLEEVE (B)	1		
80	318-594	DUST WASHER	1		
81	318-918	FAN	1		
*	82	360-526C	ARMATURE ASS'Y 110V-115V	1	INCLUD.81
*	82	360-526D	ARMATURE ASS'Y 127V	1	INCLUD.81
*	82	360-526E	ARMATURE ASS'Y 220V-230V	1	INCLUD.81
*	82	360-526F	ARMATURE ASS'Y 240V	1	INCLUD.81
83	318-633	FAN GUIDE	1		
84	953-121	HEX. HD. TAPPING SCREW D5X50	2		
*	85	340-467C	STATOR ASS'Y 110V-115V	1	INCLUD.86
*	85	340-467D	STATOR ASS'Y 127V	1	INCLUD.86
*	85	340-467E	STATOR ASS'Y 220V-230V	1	INCLUD.86
*	85	340-467F	STATOR ASS'Y 240V	1	INCLUD.86
86	958-032	BRUSH TERMINAL	2		
87	318-764	HOUSING ASS'Y	1	INCLUD.94,95	
88		HITACHI LABEL	1		
89	318-570	NYLOCK BOLT (W/FLANGE) M6X40	6		
90	307-811	TAPPING SCREW (W/FLANGE) D4X16 (BLACK)	2		
91	318-599	BRUSH CAP COVER	2		
92	940-540	BRUSH CAP	2		
93	999-074	CARBON BRUSH (AUTO STOP TYPE) (1 PAIR)	2		
94	980-487	BRUSH HOLDER	2		
95	938-477	HEX. SOCKET SET SCREW M5X8	2		
96		NAME PLATE	1		

**PARTS**

DH 45SA

ITEM No.	CODE NO.	DESCRIPTION	NO. USED	REMARKS
97	305-558	TAPPING SCREW (W/FLANGE) D5X25 (BLACK)	4	
98	944-954	BEARING WASHER	1	
99	620-1VV	BALL BEARING 6201VVCMP2L	1	
100	318-598	TAIL COVER	1	
101	303-273	TAPPING SCREW (W/FLANGE) D5X16	3	
102	318-750	SIDE COVER ASS'Y	1	INCLUD.103,109
103	318-572	HANDLE PACKING (A)	1	
104	991-711	DISTANCE PIECE (B)	4	
105	318-601	HANDLE	1	
106	313-093	SWITCH (C) (2P SCREW TYPE W/O LOCK)	1	
107	318-602	HANDLE COVER	1	
108	301-653	TAPPING SCREW (W/FLANGE) D4X20 (BLACK)	2	
109	318-573	HANDLE PACKING (B)	1	
* 110	958-049	CORD ARMOR D8.2	1	
* 110	940-778	CORD ARMOR D10.7	1	
* 111	992-810	TERMINAL	1	FOR GBR(230V)
* 111	980-063	TERMINAL	1	FOR SAF,AUS
* 112	960-266	CORD CLIP	1	
* 112	981-987Z	CORD CLIP	1	FOR SUI
113	984-750	TAPPING SCREW (W/FLANGE) D4X16	2	
* 114	500-390Z	CORD	1	(CORD ARMOR D10.7)
* 114	500-394Z	CORD	1	(CORD ARMOR D10.7) FOR SYR
* 114	500-454Z	CORD	1	(CORD ARMOR D10.7) FOR SAF
* 114	500-408Z	CORD	1	(CORD ARMOR D8.2) FOR AUS
* 114	500-460Z	CORD	1	(CORD ARMOR D10.7) FOR GBR(110V)
* 114	500-446Z	CORD	1	(CORD ARMOR D10.7) FOR GBR(230V)
* 114	500-391Z	CORD	1	(CORD ARMOR D10.7) FOR SUI
* 115	313-142	PLUG (A)	1	FOR AUS,SAF,EUROPE
* 115	313-092	PLUG (A)	1	
* 116	959-141	CONNECTOR 50092 (10 PCS.)	1	FOR TPE,ECU,SUR,THA,SRI,INA,CHN,SYR, SIN,KUW,NGU,AUS
* 117	318-648	PLUG (B)	1	
* 117	318-600	PLUG (B)	1	FOR AUS
118	938-307	PILLAR TERMINAL	1	
119	318-603	PLUG HOLDER	1	

**STANDARD ACCESSORIES**

ITEM No.	CODE NO.	DESCRIPTION	NO. USED	REMARKS
501	318-646	CASE (PLASTIC)	1	
502	981-840	GREASE (A) FOR HAMMER.HAMMER DRILL (30G)	1	
503	944-458	HEX. BAR WRENCH 4MM	1	
504	944-459	HEX. BAR WRENCH 5MM	1	
505	872-422	HEX. BAR WRENCH 6MM	1	
506	315-871	DUST CAP	1	
* 507	992-813	K-TAPER SHANK ADAPTER	1	FOR AUS
* 508	944-477	COTTER	1	FOR AUS

\* : ALTERNATIVE PARTS

**OPTIONAL ACCESSORIES**

DH 45SA

ITEM No.	CODE NO.	DESCRIPTION	NO. USED	REMARKS
601	985-721	DRILL BIT D16.0X280 (HEX. SHANK TYPE)	1	
602	985-720	DRILL BIT D16.0X400 (HEX. SHANK TYPE)	1	
603	985-722	DRILL BIT D16.0X505 (HEX. SHANK TYPE)	1	
604	991-330	DRILL BIT D16.0X550 (HEX. SHANK TYPE)	1	
605	991-331	DRILL BIT D18.0X550 (HEX. SHANK TYPE)	1	
606	985-724	DRILL BIT D19.0X280 (HEX. SHANK TYPE)	1	
607	985-723	DRILL BIT D19.0X400 (HEX. SHANK TYPE)	1	
608	985-725	DRILL BIT D19.0X505 (HEX. SHANK TYPE)	1	
609	991-332	DRILL BIT D19.0X550 (HEX. SHANK TYPE)	1	
610	991-334	DRILL BIT D20.0X505 (HEX. SHANK TYPE)	1	
611	991-333	DRILL BIT D20.0X550 (HEX. SHANK TYPE)	1	
612	985-727	DRILL BIT D22.0X280 (HEX. SHANK TYPE)	1	
613	985-726	DRILL BIT D22.0X400 (HEX. SHANK TYPE)	1	
614	985-728	DRILL BIT D22.0X505 (HEX. SHANK TYPE)	1	
615	991-335	DRILL BIT D22.0X550 (HEX. SHANK TYPE)	1	
616	985-730	DRILL BIT D25.0X280 (HEX. SHANK TYPE)	1	
617	985-729	DRILL BIT D25.0X400 (HEX. SHANK TYPE)	1	
618	985-731	DRILL BIT D25.0X505 (HEX. SHANK TYPE)	1	
619	991-336	DRILL BIT D25.0X550 (HEX. SHANK TYPE)	1	
620	985-733	DRILL BIT D28.0X280 (HEX. SHANK TYPE)	1	
621	985-732	DRILL BIT D28.0X400 (HEX. SHANK TYPE)	1	
622	985-734	DRILL BIT D28.0X505 (HEX. SHANK TYPE)	1	
623	991-337	DRILL BIT D28.0X550 (HEX. SHANK TYPE)	1	
624	991-338	DRILL BIT D30.0X550 (HEX. SHANK TYPE)	1	
625	985-736	DRILL BIT D32.0X280 (HEX. SHANK TYPE)	1	
626	985-735	DRILL BIT D32.0X400 (HEX. SHANK TYPE)	1	
627	985-737	DRILL BIT D32.0X505 (HEX. SHANK TYPE)	1	
628	991-339	DRILL BIT D32.0X550 (HEX. SHANK TYPE)	1	
629	991-340	DRILL BIT D35.0X550 (HEX. SHANK TYPE)	1	
630	985-739	DRILL BIT D38.0X280 (HEX. SHANK TYPE)	1	
631	985-738	DRILL BIT D38.0X400 (HEX. SHANK TYPE)	1	
632	985-740	DRILL BIT D38.0X505 (HEX. SHANK TYPE)	1	
633	991-341	DRILL BIT D38.0X550 (HEX. SHANK TYPE)	1	
634	944-460	TAPER SHANK DRILL BIT D11X100	1	
635	944-461	TAPER SHANK DRILL BIT D12.3X110	1	
636	993-038	TAPER SHANK DRILL BIT D12.7X110	1	
637	944-462	TAPER SHANK DRILL BIT D14.3X110	1	
638	944-500	TAPER SHANK DRILL BIT D14.5X110	1	
639	944-463	TAPER SHANK DRILL BIT D17.5X120	1	
640	944-464	TAPER SHANK DRILL BIT D21.5X140	1	
641	985-752	TAPER SHANK ADAPTER NO.1	1	INCLUD.643
642	985-753	TAPER SHANK ADAPTER NO.2	1	INCLUD.643
643	944-477	COTTER	1	
644	985-754	A-TAPER SHANK ADAPTER (D11.0-17.5)	1	
645	985-755	B-TAPER SHANK ADAPTER (D21.5)	1	
646	992-813	K-TAPER SHANK ADAPTER	1	
647	985-750	DRILL ADAPTER NO.1 (D11.0-17.5)	1	
648	985-751	DRILL ADAPTER NO.2 (D21.5)	1	
649	955-994	CORE BIT 25MM	1	
650	955-995	CORE BIT 29MM	1	
651	955-996	CORE BIT 32MM	1	INCLUD.652

**OPTIONAL ACCESSORIES**

DH 45SA

ITEM No.	CODE NO.	DESCRIPTION	NO. USED	REMARKS
652	955-997	GUIDE PLATE (FOR CORE BIT 32MM)	1	
653	955-998	CORE BIT 35MM	1	INCLUD.654
654	955-999	GUIDE PLATE (FOR CORE BIT 35MM)	1	
655	956-000	CORE BIT 38MM	1	INCLUD.656
656	956-001	GUIDE PLATE (FOR CORE BIT 38MM)	1	
657	955-154	CORE BIT 45MM	1	INCLUD.658
658	955-166	GUIDE PLATE (FOR CORE BIT 45MM)	1	
659	955-155	CORE BIT 54MM	1	INCLUD.660
660	955-167	GUIDE PLATE (FOR CORE BIT 54MM)	1	
661	956-002	CORE BIT 64MM	1	INCLUD.662
662	956-003	GUIDE PLATE (FOR CORE BIT 64MM)	1	
663	955-157	CORE BIT 79MM	1	INCLUD.664
664	955-168	GUIDE PLATE (FOR CORE BIT 79MM)	1	
665	956-004	CORE BIT 94MM	1	INCLUD.666
666	956-005	GUIDE PLATE (FOR CORE BIT 94MM)	1	
667	955-159	CORE BIT 105MM	1	INCLUD.668
668	955-169	GUIDE PLATE (FOR CORE BIT 105MM)	1	
669	956-008	CORE BIT SHANK (B) 300L (FOR D25-35)	1	ROUND SHAFT TYPE
670	955-163	CORE BIT SHANK (A) 300L (FOR D38-120)	1	
671	956-009	CENTER PIN (B) 147L FOR CORE BIT D32-35	1	
672	955-165	CENTER PIN (A) 133L FOR CORE BIT D38-150	1	
673	992-814	CORE BIT 65MM	1	
674	992-815	CORE BIT 80MM	1	
675	992-816	CORE BIT 90MM	1	
676	992-817	CORE BIT 100MM	1	
677	992-818	CORE BIT 105MM	1	
678	992-819	CORE BIT SHANK (C)	1	
679	903-901	CENTER PIN (C)	1	
680	985-756	ANCHOR ADAPTER NO.20 W1/4"(FOR ROTATION)	1	
681	985-757	ANCHOR ADAPTER NO.25 W5/16"(FOR ROTATION)	1	
682	985-758	ANCHOR ADAPTER NO.30 W3/8"(FOR ROTATION)	1	
683	985-759	ANCHOR ADAPTER NO.40 W1/2"(FOR ROTATION)	1	
684	985-760	ANCHOR ADAPTER NO.50 W5/8"(FOR ROTATION)	1	
685	981-929	ANCHOR ADAPTER NO.30	1	
686	981-930	ANCHOR ADAPTER NO.40	1	
687	981-931	ANCHOR ADAPTER NO.50	1	
688	985-761	RATIO SHANK ADAPTER	1	
689	944-574	DRIFT KEY	1	
690	981-922	BULL POINT 280MM (ROUND SHANK TYPE)	1	
691	981-923	BULL POINT 450MM (ROUND SHANK TYPE)	1	
692	981-925	COLD CHISEL 280MM (ROUND SHANK TYPE)	1	
693	981-926	COLD CHISEL 450MM (ROUND SHANK TYPE)	1	
694	981-924	CUTTER W45X280L (ROUND SHANK TYPE)	1	
695	956-126	SCOOP 405L (ROUND SHANK TYPE)	1	
696	955-181	RAMMER 140MM	1	
697	955-183	BUSHING TOOL	1	
698	955-186	SHANK 250L (FOR RAMMER AND BUSHING TOOL)	1	
699	944-575	SYRINGE	1	
700	318-085	SYRINGE (BELLOWS TYPE)	1	
701	308-471	GREASE FOR HAMMER.HAMMER DRILL (70G)	1	
702	980-927	GREASE FOR HAMMER.HAMMER DRILL (500G)	1	