

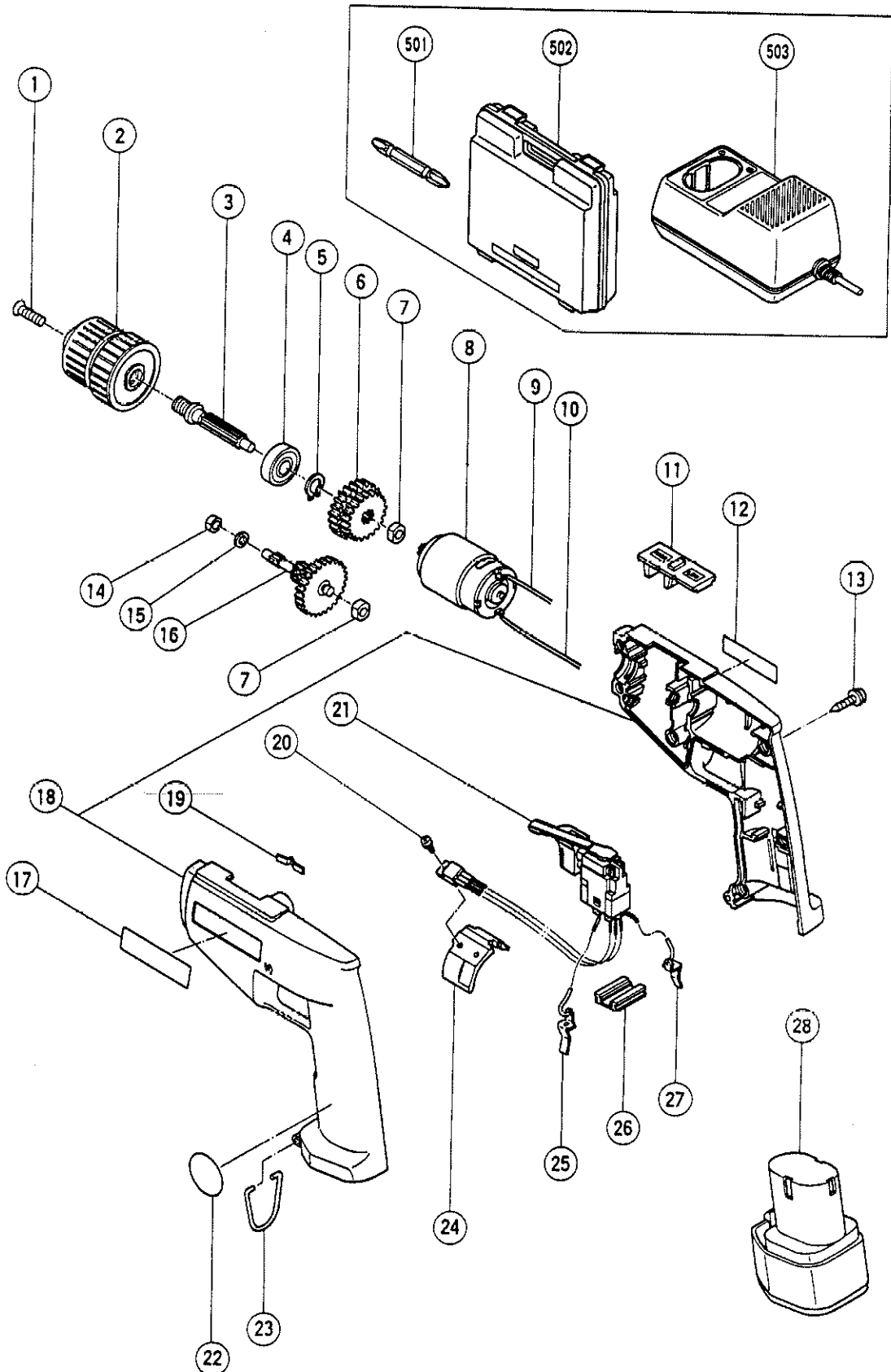
HITACHI

LIST NO. E887

ELECTRIC TOOL PARTS LIST

■ CORDLESS DRIVER DRILL
Model DN 7DV

1995 · 4 · 20
(E1)



PARTS

DN 7DV

ITEM NO.	CODE NO.	DESCRIPTION	NO. USED	REMARKS
1	992-077	FLAT HD. SCREW (LEFT HAND) M5X17	1	
2	303-915	DRILL CHUCK 10TLRA - N (W/O CHUCK HANDLE)	1	
3	980-843	SPINDLE	1	
4	600-0VV	BALL BEARING 6000VVCMP52S	1	
5	939-540	RETAINING RING FOR D10 SHAFT (10 PCS.)	1	
6	981-348	FINAL GEAR	1	
7	997-752	METAL	2	
8	992-071	MOTOR	1	
9	980-845	INTERNAL WIRE (B) (RED) 90L	1	
10	980-848	INTERNAL WIRE (B) (BLACK) 40L	1	
11	302-398	SHIFT KNOB	1	
12		NAME PLATE	1	
13	991-672	TAPPING SCREW (W/WASHER) D3X16	6	
14	994-677	METAL D4X6	1	
15	949-423	WASHER M4 (10 PCS.)	1	
16	980-823	SECOND PINION	1	
17		HITACHI LABEL	1	
18	306-056	HOUSING (A).(B) SET	1	
19	980-829	SHIFT SPRING	1	
20	994-532	MACHINE SCREW (W/SP. WASHER) M3X5	1	
21	306-055	DC - SPED CONTROL SWITCH	1	
22	987-135	MARK PLATE	1	
23	980-838	HOOK	1	
24	992-081	FIN	1	
25	306-255	TERMINAL	1	
26	991-668	TERMINAL SUPPORT	1	
27	991-668	TERMINAL	1	
* 28	306-136	BATTERY EB 7 (W/ENGLISH N.P.)	1	
* 28	306-132	BATTERY EB 7 (W/ENGLISH N.P.)	1	FOR USA
* 28	306-133	BATTERY EB 7 (W/ENGLISH N.P.)	1	FOR EUROPE

STANDARD ACCESSORIES

ITEM NO.	CODE NO.	DESCRIPTION	NO. USED	REMARKS
501	983-006	+ DRIVER BIT NO.2 65L	1	
502	302-361	CASE	1	
503		CHAGER (MODEL UC 7SB)	1	

OPTIONAL ACCESSORIES

ITEM NO.	CODE NO.	DESCRIPTION	NO. USED	REMARKS
601	983-004	+ DRIVER BIT NO.1 65L	1	
602	983-011	+ DRIVER BIT NO.3 65L	1	
603	955-657	- DRIVER BIT (A) 3MMX70L	1	
604	955-659	- DRIVER BIT (A) 4MMX70L	1	
605	955-674	- DRIVER BIT (A) 6MMX70L	1	

* : ALTERNATIVE PARTS

Printed in Japan 4 - 95