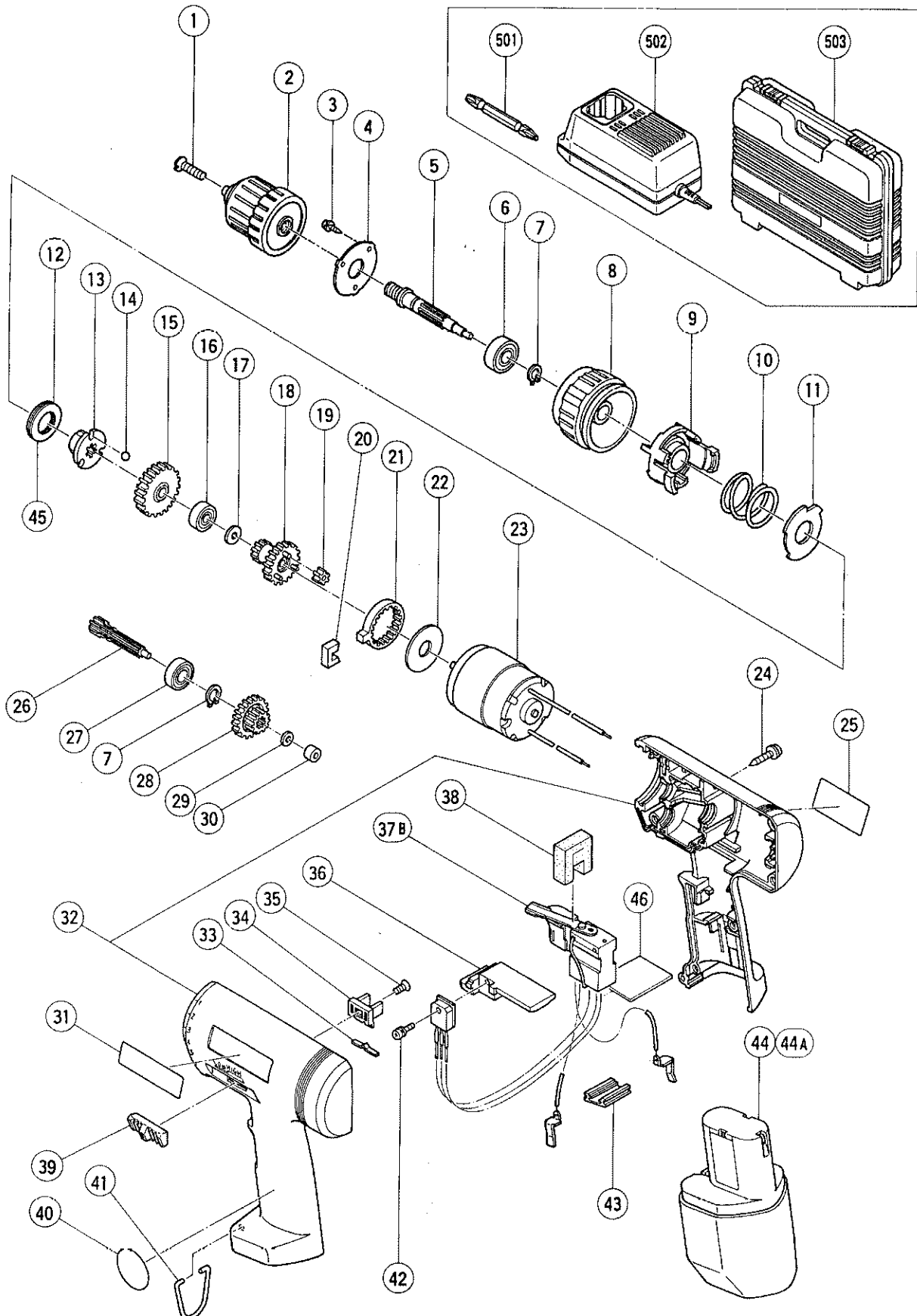


## ELECTRIC TOOL PARTS LIST

■ CORDLESS DRIVER DRILL  
Model DS 10DVA

1994 · 2 · 8  
(E2)



## PARTS

DS 10DVA

ITEM NO.	CODE NO.	DESCRIPTION	NO. USED	REMARKS
1	992-077	FLAT HD. SCREW (LEFT HAND) M5X17	1	
2	301-553	DRILL CHUCK 10TLR - N (W/O CHUCK HANDLE)	1	
3	984-327	TAPPING SCREW (W/SP. WASHER) D3X8	3	
4	991-663	PLATE	1	
5	301-741	SPINDLE	1	
6	600-0VV	BALL BEARING 6000VVCMP2S	1	
7	939-540	RETAINING RING FOR D10 SHAFT (10 PCS.)	2	
8	301-748	CAP	1	
9	303-722	SPRING HOLDER	1	
10	301-746	SPRING	1	
11	301-745	THRUST PLATE	1	
12	986-107	THRUST NEEDLE BEARING	1	
13	301-743	BALL HOLDER	1	
14	959-149	STEEL BALL D4.76 (10 PCS.)	3	
15	303-772	FINAL GEAR	1	
16	626-VVM	BALL BEARING 626VVMC2ERPS2S	1	
17	301-730	WASHER	1	
18	303-764	GEAR HOLDER	1	
19	303-779	IDLE GEAR SET (3 PCS.)	1	
20	301-978	DAMPER	1	
21	303-762	RING GEAR	1	
22	303-763	WASHER	1	
23	303-771	MOTOR	1	
24	991-672	TAPPING SCREW (W/WASHER) D3X16	6	
25		NAME PLATE	1	
26	303-769	SECOND SHAFT	1	
27	690-0ZZ	BALL BEARING 6900ZZ	1	
28	303-770	SECOND GEAR	1	
29	949-423	WASHER M4 (10 PCS.)	1	
30	994-677	METAL D4X6	1	
31		HITACHI LABEL	1	
32	303-780	HOUSING (A).(B) SET	1	
33	980-829	SHIFT SPRING	1	
34	303-773	SHIFT ARM	1	
35	949-321	FLAT HD. SCREW M4X8 (10 PCS.)	1	
36	303-787	FIN	1	
37B	303-788	SWITCH (1P PLUG IN TYPE) W/O LOCK	1	
38	980-834	SEAL	1	
39	303-774	SHIFT KNOB	1	
40	987-135	MARK PLATE	1	
41	980-838	HOOK	1	
42	993-963	MACHINE SCREW (W/WASHERS) M3X12	1	
43	991-666	TERMINAL SUPPORT	1	
* 44	300-002	BATTERY EB 12 (W/ENGLISH N.P.)	1	
* 44	302-758	BATTERY EB 12 (W/ENGLISH N.P.)	1	FOR HOL.DEN,SUI,SWE,NOR
* 44	300-004	BATTERY EB 12 (W/ENGLISH N.P.)	1	FOR USA,CAN
* 44	300-001	BATTERY EB 12 (W/GERMAN N.P.)	1	FOR FRG,AUT
* 44	302-973	BATTERY EB 12 (W/GERMAN N.P.)	1	FOR BEL
* 44	300-003	BATTERY EB 12 (W/FRENCH N.P.)	1	FOR FRA
* 44A	306-200	BATTERY EB 12 (W/ITALIAN N.P.)	1	FOR ITA
45	305-468	BEARING RACE	1	

\* : ALTERNATIVE PARTS

2 - 94



