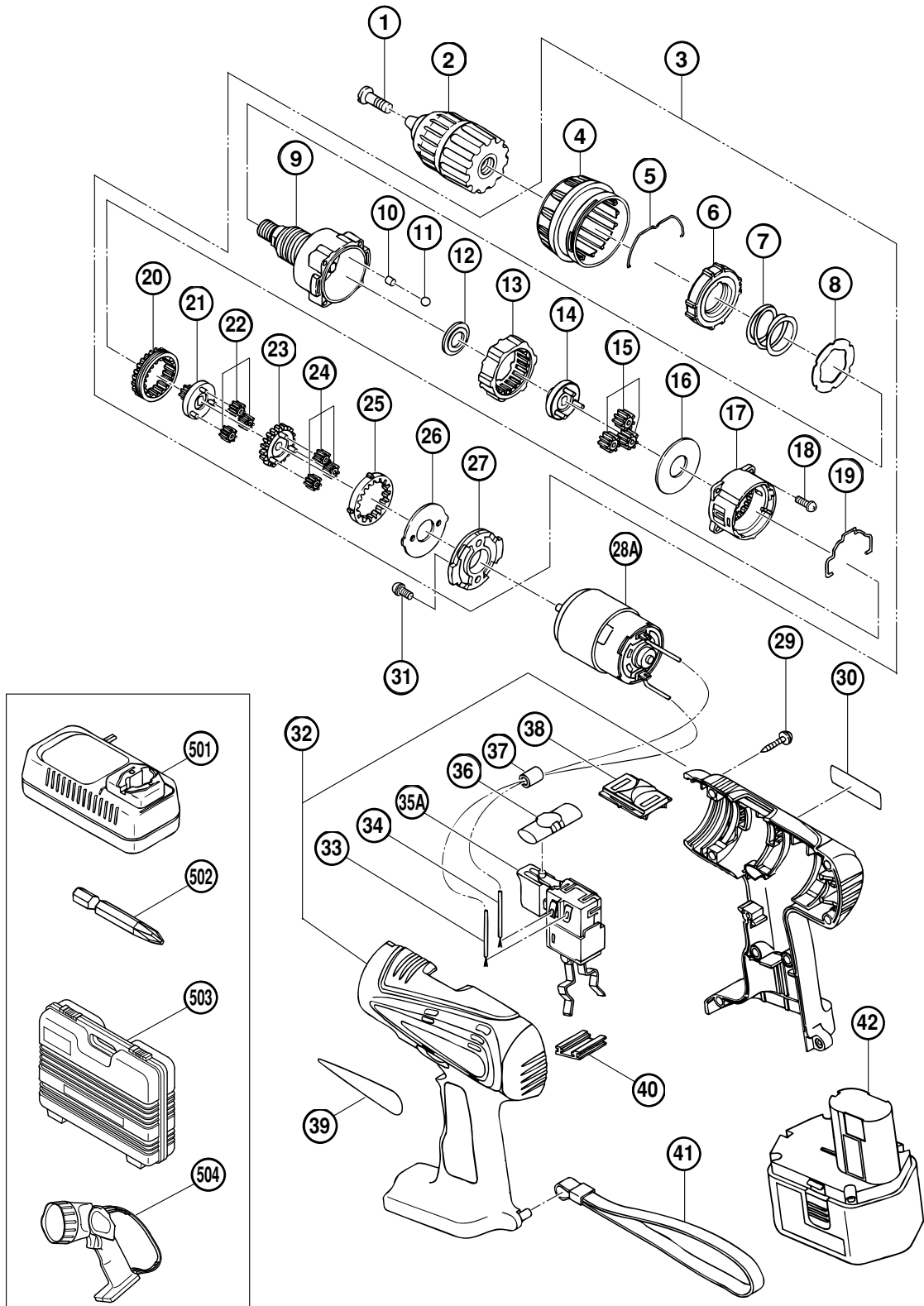


## ELECTRIC TOOL PARTS LIST

### ■ CORDLESS DRIVER DRILL Model DS 14DVB

2001·8·27  
(E2)



**PARTS**

DS 14DVB

ITEM NO.	CODE NO.	DESCRIPTION	NO. USED	REMARKS
1	311-959	SPECIAL SCREW (LEFT HAND) M6X23	1	
2	319-766	DRILL CHUCK 13VLRN (W/O CHUCK WRENCH)	1	
3	319-739	GEAR BOX ASS'Y	1	INCLUD.4-27
4	319-755	CAP	1	
5	319-754	CLICK SPRING	1	
6	319-743	NUT	1	
7	319-742	SPRING	1	
8	319-741	THRUST WASHER	1	
9	319-740	FRONT CASE	1	
10	319-744	ROLLER	6	
11	306-936	STEEL BALL D5	6	
12	319-746	SPACER WASHER	1	
13	319-745	RING GEAR	1	
14	319-747	CARRIER	1	
15	319-769	PLANET GEAR (C) SET (3 PCS.)	3	
16	312-704	WASHER (A)	1	
17	319-748	REAR CASE	1	
18	312-712	SCREW SET D3X12 (4 PCS.)	4	
19	319-753	SHIFT ARM	1	
20	319-750	SLIDE RING GEAR	1	
21	319-749	PINION (C)	1	
22	319-768	PLANET GEAR (B) SET (3 PCS.)	3	
23	319-751	PINION (B)	1	
24	319-767	PLANET GEAR (A) SET (3 PCS.)	3	
25	319-752	FIRST RING GEAR	1	
26	312-716	WASHER (B)	1	
27	316-955	MOTOR SPACER	1	
28A	320-144	MOTOR	1	
29	991-672	TAPPING SCREW (W/WASHER) D3X16	8	
* 30		NAME PLATE	1	
31	317-333	MACHINE SCREW (W/SP. WASHER) M4X 6	2	
32	319-785	HOUSING (A).(B) SET	1	
* 33	319-759	INTERNAL WIRE (BLACK) 100L	1	
* 33	320-159	INTERNAL WIRE (BLACK) 160L	1	EXCEPT FOR NZL,AUS,USA,CAN
34	319-758	INTERNAL WIRE (RED) 130L	1	
35A	320-145	DC-SPEED CONTROL SWITCH	1	
36	319-760	PUSHING BUTTON	1	
* 37	318-247	FERRITE CORE	1	EXCEPT FOR NZL,AUS,USA,CAN
38	318-234	SHIFT KNOB	1	
39		HITACHI LABEL	1	
40	315-141	TERMINAL SUPPORT (A)	1	
41	306-952	STRAP (BLACK)	1	
* 42	315-130	BATTERY EB 14B (W/ENGLISH N.P)	1	
* 42	315-129	BATTERY EB 14B (W/ENGLISH N.P)	1	FOR USA,CAN
* 42	315-128	BATTERY EB 14B (W/ENGLISH N.P)	1	FOR NZL
* 42	318-372	BATTERY EB 1430H (W/ENGLISH N.P.)	1	
* 42	319-933	BATTERY EB 1414 (W/ENGLISH N.P.)	1	
* 42	316-552	BATTERY EB 14H (W/ENGLISH N.P)	1	



