

Hitachi Power Tools

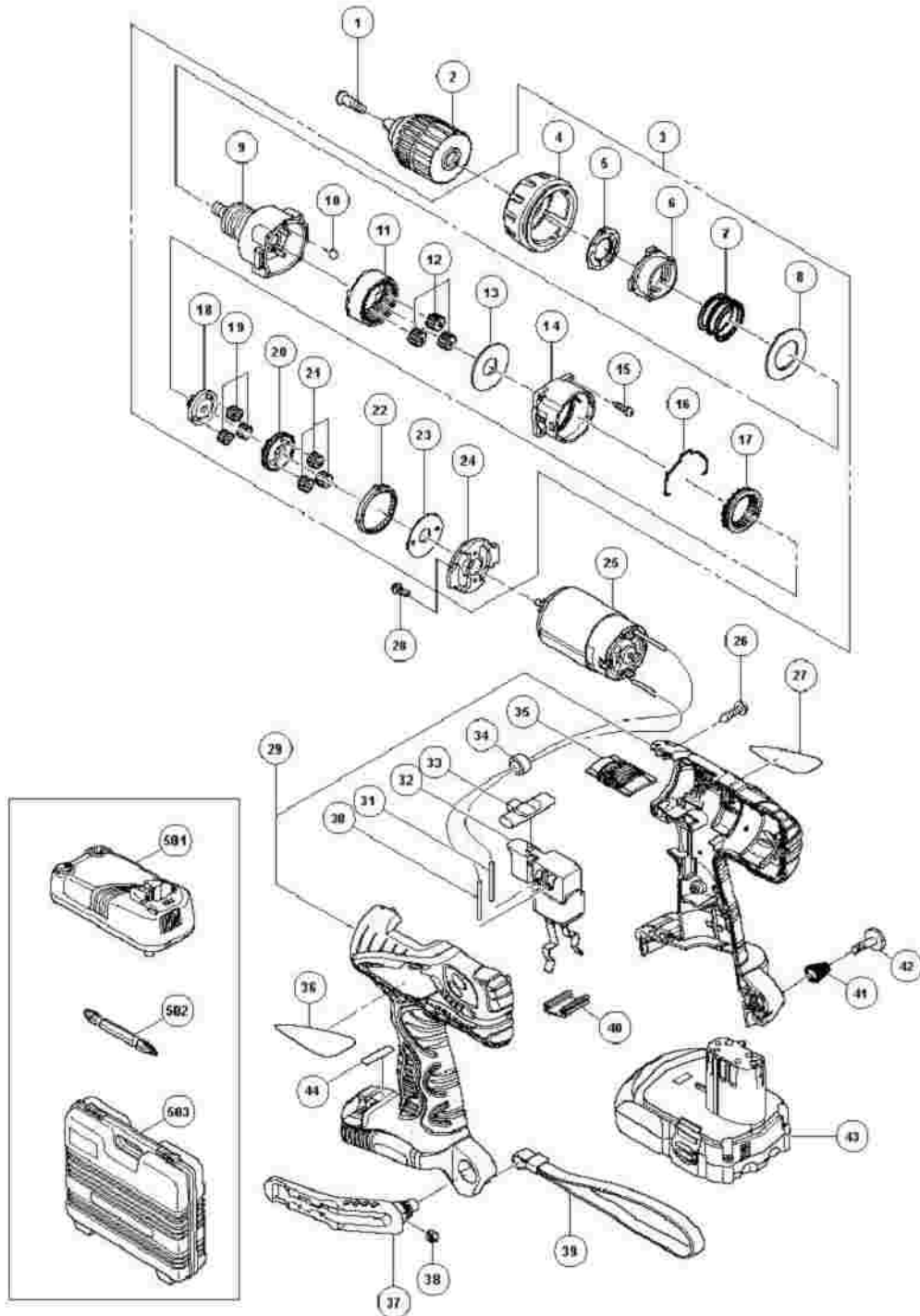
LIST NO. G865

ELECTRIC TOOL PARTS LIST

■ CORDLESS DRIVER DRILL
Model DS 18DFL

2007 · 4 · 27

(E1)



DS18DFL

| Pos. Nr. | Art. Nr. | Beschreibung | Stueck | Kommentar | |
|----------|----------|--|--------|-------------|--------------|
| 1 | 311-959 | LINKSGEWINDESCHRAUBE M6X23/DS18DV DS9DVA | 1 | | SPE (LEI M62 |
| 2 | 324-205 | Schnellspannbohrfutter 13VLRM-N | 1 | | DRI 13V CHU |
| 3 | 324-490 | Getriebegehäuse kpl DS18DVF3 | 1 | INCLUD.4-24 | GE/ |
| 4 | 324-114 | Drehkupplung DS9DVF3 | 1 | | CLU |
| 5 | 324-108 | Sperrfeder DS9DVF3 | 1 | | CLI |
| 6 | 324-109 | Mutter DS9DVF3 | 1 | | NU. |
| 7 | 324-110 | Feder DS9DVF3 | 1 | | SPR |
| 8 | 324-347 | Unterlegscheibe (D) DS9DVF3 | 1 | | WA |
| 9 | 324-491 | Vordergehäuse DS14DVF3 | 1 | | FRC |
| 10 | 306-936 | STAHLKUGEL D5 DS9DVA/DS10DV/DV2/ DS12DVA | 6 | | STE |
| 11 | 324-111 | Ringzahnrad DS9DVF3 | 1 | | RIN |
| 12 | 324-348 | Planetzahnrad-Set (C) (3Stk) | 3 | | PLA SET |
| 13 | 324-349 | Unterlegscheibe (A) DS9DVF3 | 1 | | WA |
| 14 | 324-501 | Hintere Abdeckung DS14DVF3 | 1 | | REA |
| 15 | 324-357 | Schrauben-Set D3x12 (4Stk) | 4 | | SCR (4 P |
| 16 | 324-115 | Schiebearm DS9DVF3 | 1 | | SHI |
| 17 | 324-351 | Gleitringszahnrad DS9DVF3 | 1 | | SLII |
| 18 | 324-112 | Ritzel (C) DS9DVF3 | 1 | | PIN. |
| 19 | 324-352 | Planetzahnrad-Set (B) (3Stk) | 3 | | PLA SET |
| 20 | 324-492 | Ritzel (B) DS14DVF3 | 1 | | PIN. |
| 21 | 324-494 | Planetgetriebe-Set (A) (3 Stk) DS14DVF3 | 3 | | PLA SET |

| | | | | | |
|----|---------|--|---|------------------------------|--------------|
| 22 | 324-493 | Erstes Ringzahnrad DS14DVF3 | 1 | | FIR: |
| 23 | 324-355 | Unterlegscheibe (B) DS9DVF3 | 1 | | WA |
| 24 | 324-495 | Motorflansch DS14DVF3 | 1 | | MO' |
| 25 | 324-497 | Motor kpl DS18DVF3 | 1 | | MO' |
| 26 | 313-687 | SCHNEIDSCHRAUBE D3X16 MIT FLANSCH (SCHWA | 8 | | TAF (W/ (BL |
| 27 | | | 1 | | NAI |
| 28 | 317-333 | MASCHINENSCHRAUBE M4X6 | 2 | | MA (W/ M4X |
| 29 | 324-496 | Gehäuse A+B Set DS18DVF3 | 1 | | HOU SET |
| 29 | 328-505 | | 1 | "FOR USA,CAN" | HOU SET |
| 30 | 319-759 | VERBINDERKABEL DS14DVB/DS18DVB DV12DV/DV | 1 | | INT (BL |
| 31 | 324-499 | Verbinderkabel (rot) DS14DVF3 | 1 | | INT (RE |
| 32 | 324-498 | Schalter DS14DVF3 | 1 | | DC-COM |
| 33 | 324-117 | Druckknopf DS9DVF3 | 1 | | PUS |
| 34 | 323-229 | Eisenkern DS14DMR | 1 | "EXCEPT FOR NZL,AUS,USA,CAN" | FER |
| 35 | 324-116 | Umschaltknopf DS9DVF3 | 1 | | SHI |
| 36 | | | 1 | | HIT |
| 37 | 320-287 | HAKEN WH12DM | 1 | INCLUD.38 | HO |
| 38 | 320-288 | V-MUTTER M5 WR12DM/WH12DM | 1 | | V-L |
| 39 | 306-952 | HALTESCHLAUFEDN10DY/DS10DV/WR14DH DS14/D | 1 | "EXCEPT FOR USA,CAN" | STR |
| 40 | 315-141 | KONTAKTHALTER DS9DVA/DS12DVA DS14DV/DVA/ | 1 | | TER SUP |
| 41 | 319-926 | HAKENFEDER WR12DM/WH12DM | 1 | | HO |
| 42 | 320-881 | Spezial Schraube (A) M5 (WR14DM DS14D | 1 | | SPE M5 |
| 43 | 327-731 | | 1 | | "BA 181: (EU |

| | | | | | |
|-----|----------|--|---|---------------|-------------|
| 43 | 327-730 | | 1 | | "BA 1815 |
| 44 | | | 1 | | CAU |
| 44 | 000-008D | | 0 | "FOR USA,CAN" | |
| 501 | | | 1 | | CHA UC |
| 501 | | | 1 | | CHA UC |
| 502 | 983-006 | +BIT PHIL NR 2 L=65MM (2-SEITIG) ALTE AR | 1 | | + DI 65L |
| 503 | 327-727 | | 1 | | CAS |