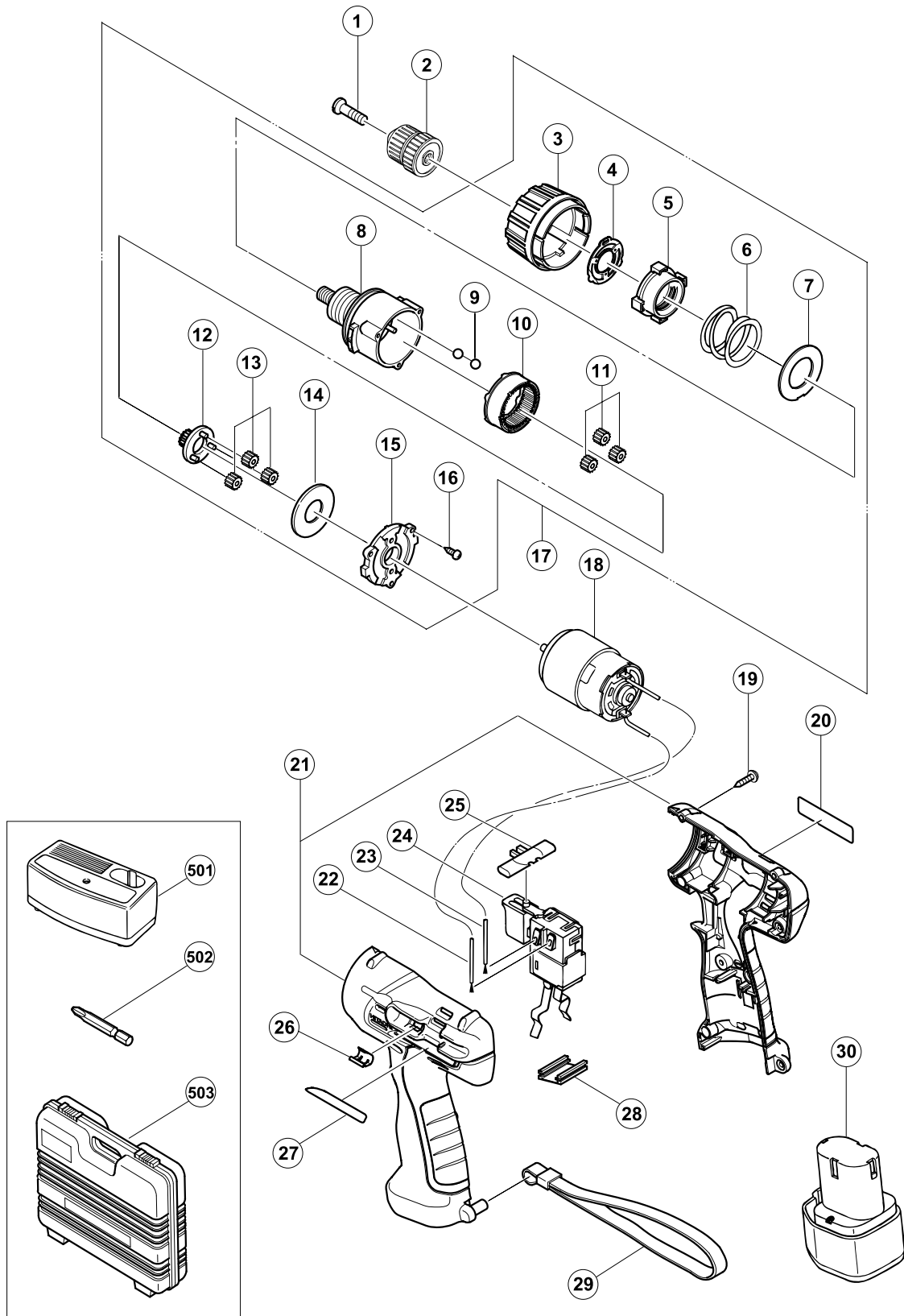


ELECTRIC TOOL PARTS LIST

■ CORDLESS DRIVER DRILL
Model DS 7DF

2003 • 2 • 25
(E1)



PARTS

DS 7DF

ITEM NO.	CODE NO.	DESCRIPTION	NO. USED	REMARKS
1	321-932	SPECIAL SCREW (LEFT HAND) M5X25	1	
2	312-516	DRILL CHUCK 10TLRD-N (W/O CHUCK WRENCH)	1	
3	321-904	CLUTCH DIAL	1	
4	321-903	CLICK SPRING	1	
5	321-902	NUT	1	
6	321-901	SPRING	1	
7	312-714	WASHER (D)	1	
8	321-900	GEAR CASE	1	
9	321-905	STEEL BALL D4 (10 PCS.)	16	
10	321-906	RING GEAR	1	
11	321-907	PLANET GEAR (B) SET (3 PCS.)	3	
12	321-908	PINION (B)	1	
13	321-909	PLANET GEAR (A) SET (3 PCS.)	3	
14	312-704	WASHER (A)	1	
15	321-910	MOTOR SPACER	1	
16	315-817	SCREW SET D3X12 (6 PCS.)	3	
17	321-899	GEAR BOX ASS'Y	1	INCLUD. 3-16
18	321-897	MOTOR	1	
19	991-672	TAPPING SCREW (W/WASHER) D3X16	8	
20		NAME PLATE	1	
21	321-896	HOUSING (A).(B) SET	1	
22	306-041	INTERNAL WIRE (B) (BLACK)	1	
23	306-040	INTERNAL WIRE (B) (RED)	1	
24	321-898	DC-SPEED CONTROL SWITCH	1	
25	321-871	PUSHING BUTTON	1	
26	318-237	BIT HOLDER	1	
27		HITACHI LABEL	1	
28	315-141	TERMINAL SUPPORT (A)	1	
29	306-952	STRAP (BLACK)	1	
* 30	321-749	BATTERY EB 712S (W/ENGLISH N.P)	1	
* 30	321-748	BATTERY EB 712S (W/ENGLISH N.P)	1	FOR EUROPE
* 30	320-101	BATTERY FEB 7S (W/ENGLISH N.P)	1	
30	320-102	BATTERY FEB 7S (W/ENGLISH N.P)	1	FOR EUROPE

STANDARD ACCESSORIES

ITEM NO.	CODE NO.	DESCRIPTION	NO. USED	REMARKS
501		CHARGER (MODEL UC 7SD)	1	
502	318-236	+ DRIVER BIT NO.2 55L	1	
503	318-246	CASE	1	