

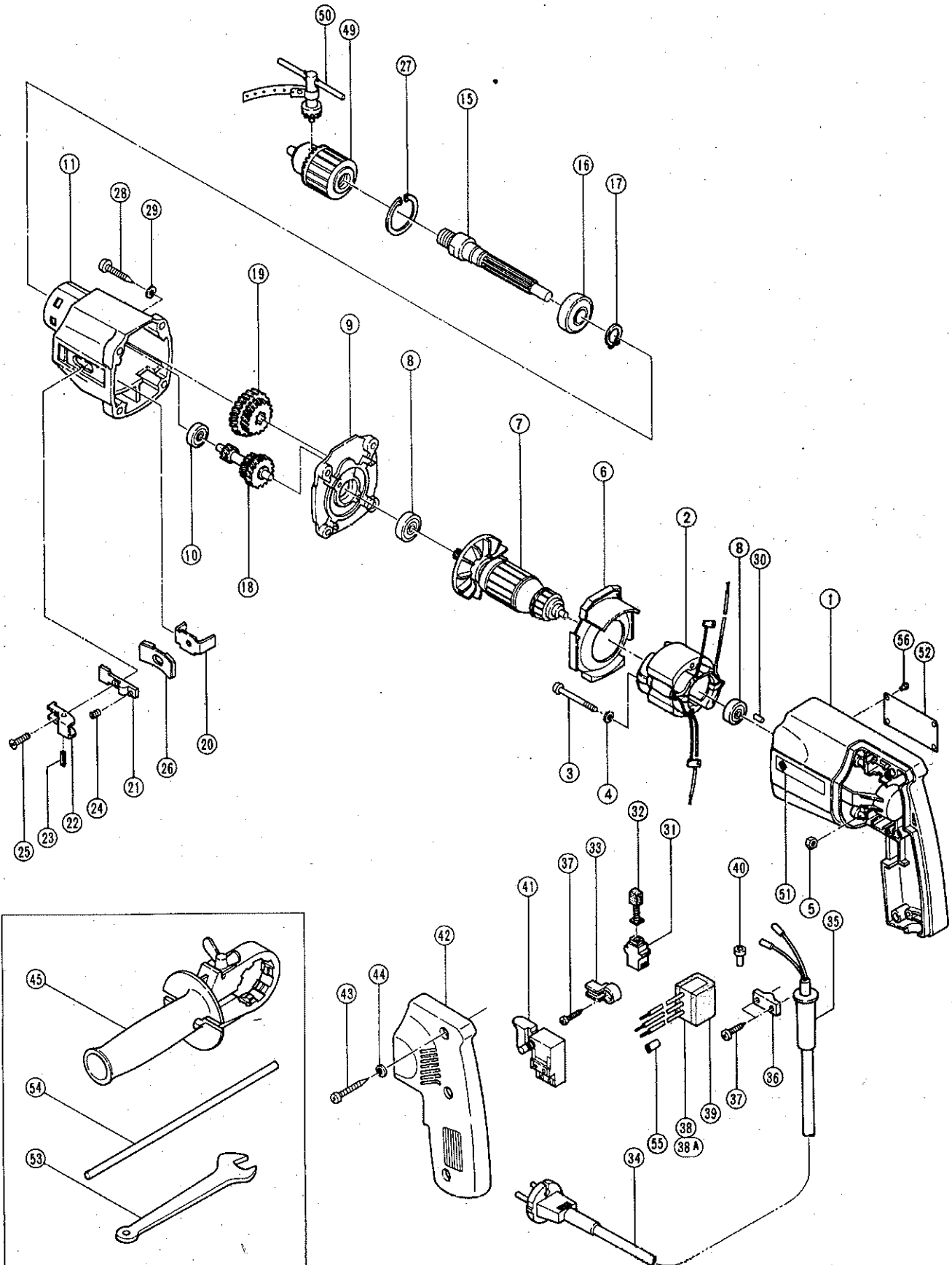
ELECTRIC TOOL PARTS LIST

■ DRILL

1986·6·20

Model DUT-10

DUT-10(E6)



PARTS

DUT-10(E6)

Item No.	Code No.	Part Name	Q'ty	Remarks
1	971640	Housing	1	
2	—	Stator	1	See alternative parts
3	949278	Machine Screw M4 x 55	2	(10 pcs.)
4	949453	Spring Lock Washer	2	for M4 (10 pcs.)
5	949554	Nut M4	2	(10 pcs.)
6	971642	Fan Guide	1	
7	—	Armature	1	See alternative parts
8	939396	Ball Bearing (608ZZC2)	2	
9	971664	Inner Cover	1	
10	939396	Ball Bearing (608ZZC2)	1	
11	980972	Gear Cover	1	
15	980973	Spindle	1	
16	939400	Ball Bearing (6202ZZCM)	1	
17	947214	C-Type Retaining Ring	1	for D15 Shaft
18	971700	Second Pinion	1	
19	980192	Gear	1	
20	971651	Shift Arm	1	
21	971652	Shift Plate	1	
22	971653	Shift Lock	1	
23	949535	Roll Pin D3 x 12	1	(10 pcs.)
24	943053	Spring (B)	1	
25	949323	Flat Hd. Screw M4 x 12	1	(10 pcs.)
26	971672	Seal Plate	1	
27	948409	C-Type Retaining Ring	1	for I.D. 35 Hole
28	931875	Tapping Screw D5 x 35	4	
29	949454	Spring Lock Washer	4	for M5 (10 pcs.)
30	946362	Bearing Lock	1	
31	955203	Brush Holder	2	
32	999041	Carbon Brush	2	(2 pcs.)
33	971655	Holder Piece	2	
34	—	Cord	1	See alternative parts
35	—	Cord Armor	1	See alternative parts
36	937631	Cord Clip	1	
37	954004	Tapping Screw D4 x 16	4	
38	—	Noise Suppressor	1	See alternative parts
39	—	Support (B)	1	See alternative parts
40	—	Connector	1	See alternative parts
41	—	Switch	1	See alternative parts
42	971660	Handle Cover	1	
43	956384	Tapping Screw D4 x 20	3	
44	949423	Washer	3	for M4 (10 pcs.)
45	971662	Side Handle	1	
49	950271	Drill Chuck 10VLA	1	includ. 50
50	930119	Chuck Wrench	1	
51	957561	HITACHI Label	1	
53	937914	Wrench	1	
54	971677	Depth Stopper	1	
55	—	Tube (D)	2	See alternative parts.
56	—	Rivet	4	See alternative parts

ALTERNATIVE PARTS

DUT-10(E6)

Item No.	Code No.	Part Name	Q'ty	Remarks
2	971665C	Stator 110V ~ 120V	1	
	971665E	Stator 220V ~ 230V	1	
	971665F	Stator 240V	1	for U.K.
	971665G	Stator 220V ~ 230V	1	for N.Z., S. Africa, Europe
	971665H	Stator 240V	1	for Australia
	971665K	Stator 220V ~ 230V	1	for F. R. Germany, Holland
	971665L	Stator 220V	1	for Austria, Finland
	971665M	Stator 240V	1	for Malta, Kuwait
	971665Z	Stator 110V	1	for U.K.
7	971666C	Armature 110V ~ 120V	1	
	971666E	Armature 220V ~ 230V	1	
	971666F	Armature 240V		
34	500201Z	Cord	1	for Asia (Cord Armor D10.2)
	971674Z	Cord	1	for Oceania (Cord Armor D8.2)
	500223Z	Cord	1	for Singapore (Cord Armor D10.2)
	971676Z	Cord	1	for Europe (Cord Armor D8.2)
	971675Z	Cord	1	for U.K., S. Africa (Cord Armor D8.2)
35	930487	Cord Armor D8.2	1	
	930354	Cord Armor D10.2	1	
38	958847	Noise Suppressor	1	
	958846Z	Noise Suppressor	1	for Switzerland
38A	991312	Noise Suppressor	1	for N.Z., U.K., S. Africa, F. R. Germany, France, Netherlands, Finland, Sweden, Australia, Norway
39	950153	Support (B)	1	(10 pcs.)
40	959140	Connector	1	(10 pcs.)
41	957747	Single Pole Switch (Screw Type)	1	W/Lock
	971667Z	Double Pole Switch (Pillar Type)	1	W/Lock
55	981373	Tube (D)	2	
56	932642	Rivet D2.5 x 2.8	4	