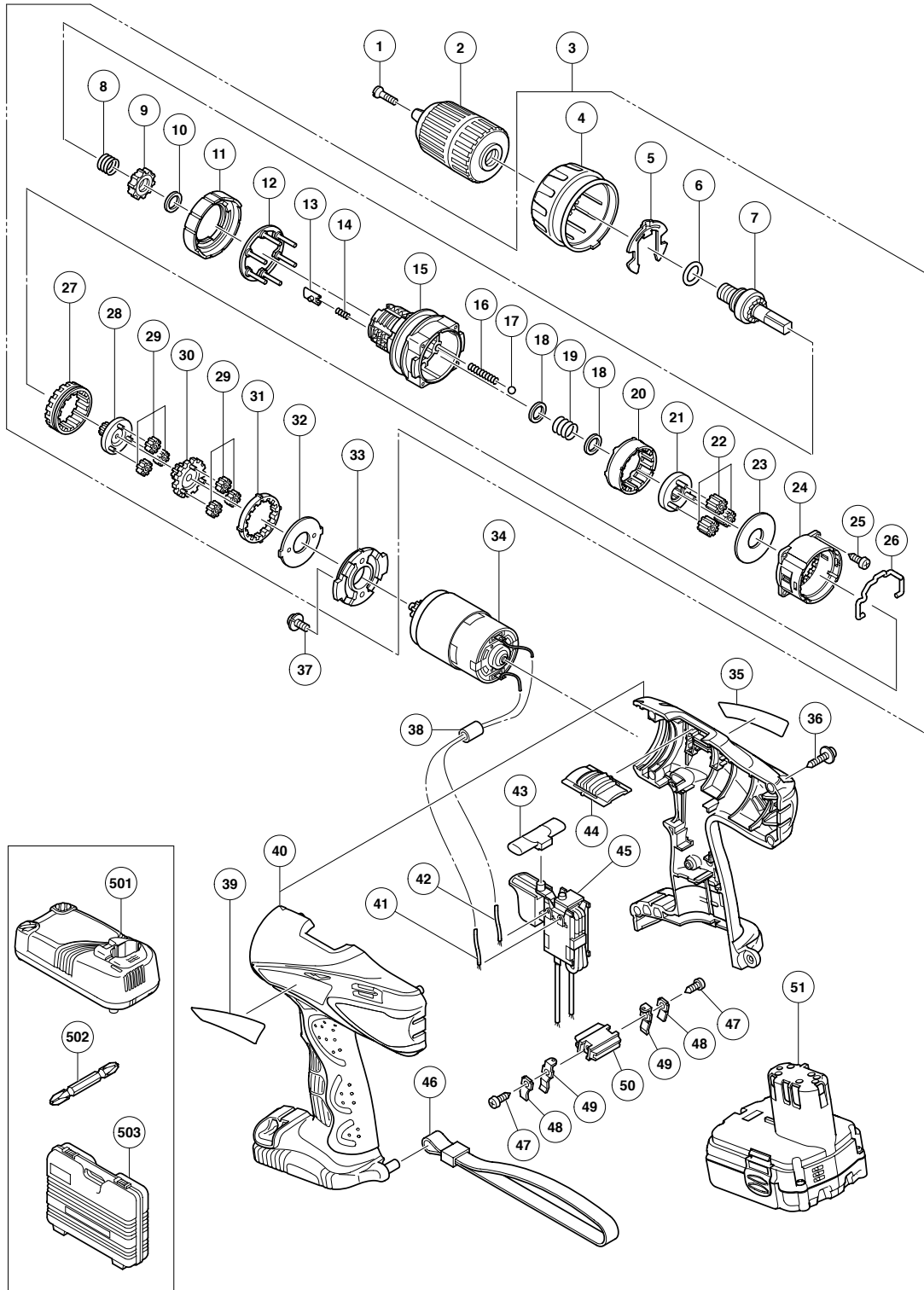


## ELECTRIC TOOL PARTS LIST

### CORDLESS IMPACT DRIVER DRILL 2007 · 8 · 10 Model DV 14DCL (E1)



**PARTS**

DV 14DCL

ITEM NO.	CODE NO.	DESCRIPTION	NO. USED	REMARKS
1	995-344	FLAT HD. SCREW (A) (LEFT HAND) M6X25	1	
2	322-625	DRILL CHUCK 13VLRJ-N (W/O CHUCK WRENCH)	1	
3	327-131	GEAR BOX ASS'Y	1	INCLUD. 4-33
4	327-149	CLUTCH DIAL	1	
5	327-146	CLICK SPRING	1	
6	327-142	O-RING	1	
7	327-137	SPINDLE	1	
8	327-136	SPRING (C)	1	
9	327-134	RATCHET (B)	1	
10	327-147	WASHER (A)	1	
11	327-145	NUT	1	
12	327-144	WASHER	1	
13	327-135	SLIP BLOCK	2	
14	327-133	STOPPER SPRING	2	
15	327-132	FRONT CASE	1	
16	327-143	SPRING (A)	4	
17	306-936	STEEL BALL D5	4	
18	327-138	WASHER (A)	2	
19	327-148	SPRING (D)	1	
20	328-055	RING GEAR	1	
21	327-139	CARRIER	1	
22	312-705	PLANET GEAR (C) SET (3 PCS.)	3	
23	312-704	WASHER (A)	1	
24	327-140	REAR CASE	1	
25	324-357	SCREW SET D3X12 (4 PCS.)	4	
26	319-753	SHIFT ARM	1	
27	327-141	SLIDE RING GEAR	1	
28	312-702	PINION (C)	1	
29	312-699	PLANET GEAR (A) SET (6 PCS.)	6	
30	312-701	PINION (B)	1	
31	315-136	FIRST RING GEAR	1	
32	312-716	WASHER (B)	1	
33	316-955	MOTOR SPACER	1	
34	327-157	MOTOR	1	
35		NAME PLATE	1	
36	313-687	TAPPING SCREW (W/FLANGE) D3X16 (BLACK)	8	
37	317-333	MACHINE SCREW (W/SP. WASHER) M4X6	2	
38	323-229	FERRITE CORE	1	
39		HITACHI LABEL	1	
40	327-156	HOUSING (A).(B) SET	1	
41	328-057	INTERNAL WIRE (BLACK) 150L	1	
42	328-056	INTERNAL WIRE (RED) 150L	1	
43	327-151	PUSHING BUTTON	1	
44	327-150	SHIFT KNOB	1	
45	327-154	DC-SPEED CONTROL SWITCH	1	
46	306-952	STRAP (BLACK)	1	
47	958-715	TAPPING SCREW D4X10	2	
48	996-118	HOLDER SPRING	2	
49	327-155	TERMINAL	2	
50	320-997	TERMINAL PIECE	1	
51	327-729	BATTERY BCL 1415 (EUROPE, AUS, NZL)	2	



