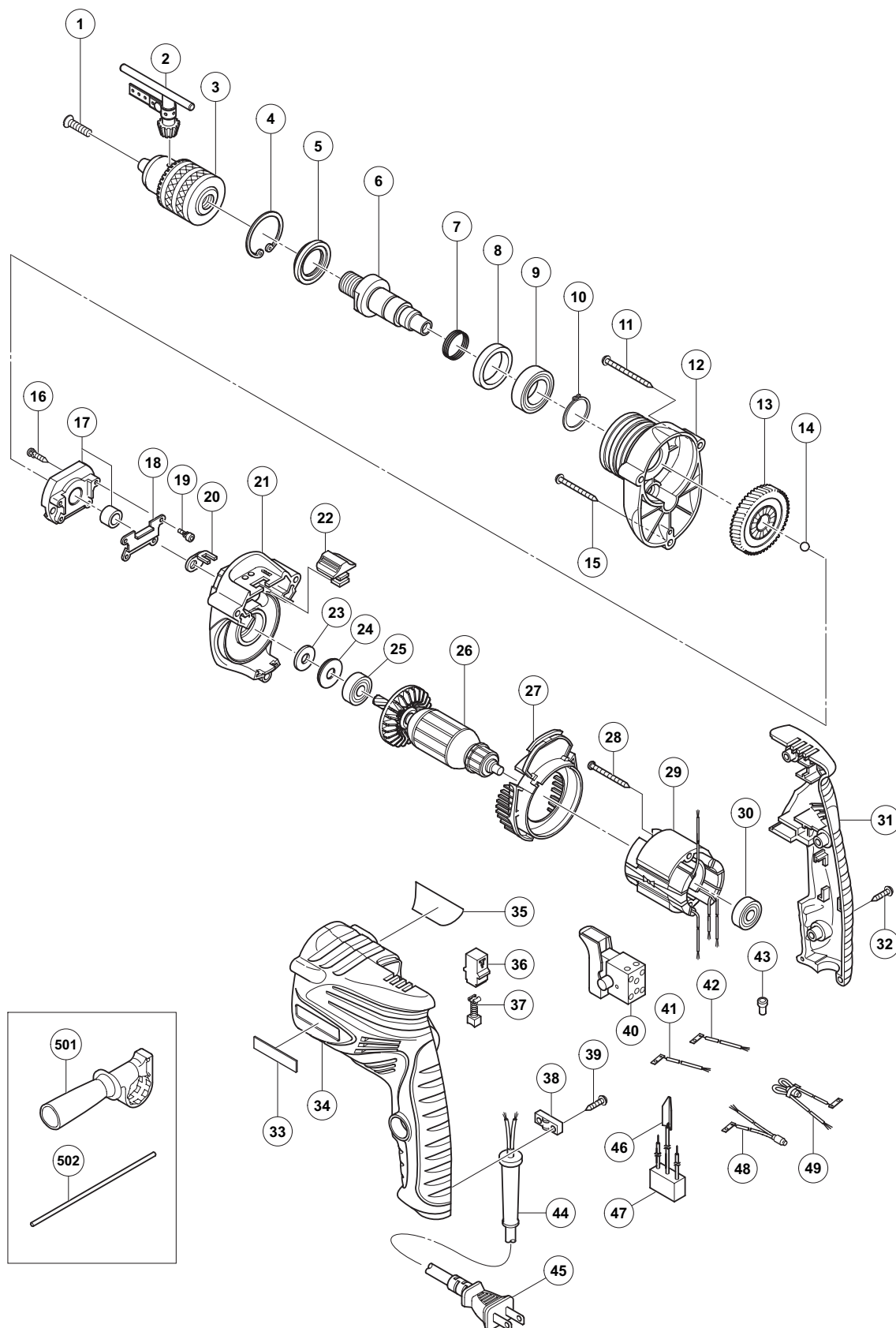


ELECTRIC TOOL PARTS LIST

IMPACT DRILL
Model DV 16SS

2009·5·29
(E1)



PARTS

DV 16SS

ITEM NO.	CODE NO.	DESCRIPTION	NO. USED	REMARKS	
1	995-344	FLAT HD. SCREW (A) (LEFT HAND) M6 X 25	1		
2	987-576	CHUCK WRENCH FOR 13VLB-D, 13VLR-D	1		
3		DRILL CHUCK 13VLRC-D	1	INCLUD. 2 SUPPLIED WITH ITEM NO. 601	
4	948-001	RETAINING RING FOR D32 HOLE	1		
5	971-654	DUST SEAL	1		
6	331-522	SPINDLE	1		
7	322-514	SPRING	1		
8	330-682	DISTANCE RING	1		
9	600-2VV	BALL BEARING 6002VVCMP2L	1		
10	939-544	RETAINING RING FOR D15 SHAFT (10 PCS.)	1		
11	322-657	TAPPING SCREW (W/FLANGE) D4 X 60 (BLACK)	2		
12	330-726	GEAR COVER	1		
13	330-683	GEAR	1		
14	959-150	STEEL BALL D6.35 (10 PCS.)	1		
15	301-815	TAPPING SCREW (W/FLANGE) D4 X 45	1		
16	330-680	TAPPING SCREW (W/SP. WASHER) D4 X 20	2		
17	330-677	RATCHET	1		
18	330-678	BUSHING	1		
19	330-679	BOLT M3	4		
20	330-676	CHANGE PLATE	1		
21	330-675	INNER COVER	1		
22	322-510	CHANGE LEVER	1		
23	323-096	FELT PACKING	1		
24	330-674	WASHER (A)	1		
25	608-DDM	BALL BEARING 608DDC2PS2L	1		
*	26	360-863C	ARMATURE 110V	1	
*	26	360-863U	ARMATURE ASS'Y 120V	1	INCLUD. 25, 30
*	26	360-863E	ARMATURE 220V	1	
*	26	360-863F	ARMATURE 230V-240V	1	
	27	330-673	FAN GUIDE	1	
	28	950-515	TAPPING SCREW D4 X 50	2	
*	29	340-744C	STATOR 110V	1	
*	29	340-744D	STATOR 120V	1	
*	29	340-744F	STATOR 220V-240V	1	
	30	608-VVM	BALL BEARING 608VVC2PS2L	1	
	31	330-721	HANDLE COVER	1	
	32	301-653	TAPPING SCREW (W/FLANGE) D4 X 20 (BLACK)	3	
	33	330-719	HITACHI LABEL	1	
	34	330-720	HOUSING	1	
	35		NAME PLATE	1	
	36	955-203	BRUSH HOLDER	2	
	37	999-041	CARBON BRUSH (1 PAIR)	2	
	38	937-631	CORD CLIP	1	
	39	984-750	TAPPING SCREW (W/FLANGE) D4 X 16	2	
	40	330-727	SWITCH	1	
*	41	330-724	INTERNAL WIRE (BROWN)	1	FOR USA, CAN, VEN, SYR, INA, HKG, IND, THA, SIN
*	42	330-725	INTERNAL WIRE (BLUE)	1	FOR USA, CAN, VEN, SYR, INA, HKG, IND, THA, SIN
	43	959-140	CONNECTOR 50091 (10 PCS.)	2	
	44	938-051	CORD ARMOR D10.1	1	
*	45	500-409Z	CORD	1	(CORD ARMOR D10.1)

