

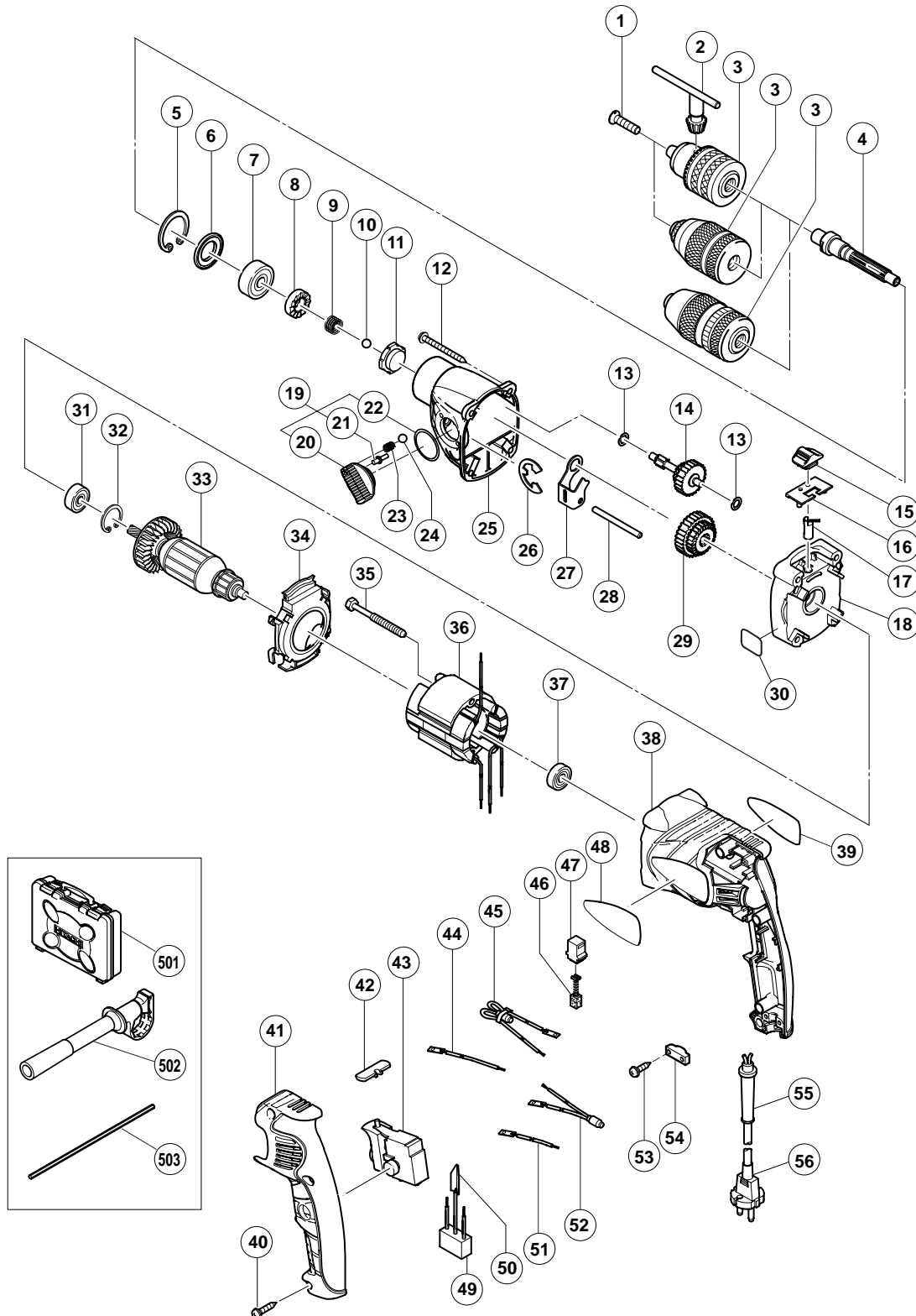
ELECTRIC TOOL PARTS LIST

IMPACT DRILL

2004 • 4 • 20

Model DV 20VB2

(E1)



PARTS

DV 20VB2

ITEM NO.	CODE NO.	DESCRIPTION	NO. USED	REMARKS
* 1	995-344	FLAT HD. SCREW (A) (LEFT HAND) M6X25	1	EXCEPT FOR DRILL CHUCK 13VLN
2	987-576	CHUCK WRENCH FOR 13VLB-D, 13VLR-D	1	
* 3	321-814	DRILL CHUCK 13VLRB-D	1	INCLUD. 1, 2
* 3	319-546	DRILL CHUCK 13VLRE-N (W/O CHUCK WRENCH)	1	
* 3	316-280	DRILL CHUCK 13VLN (W/O CHUCK WRENCH)	1	
* 4	322-857	SPINDLE (B)	1	
* 4	322-866	SPINDLE (A)	1	FOR SLIP CLUTCH
5	939-556	RETAINING RING FOR D35 HOLE (10 PCS.)	1	
6	322-851	DUST SEAL	1	
7	620-2DD	BALL BEARING 620DDCMPS2L	1	
8	322-850	RATCHET (A)	1	
9	984-101	SPRING (A)	1	
10	959-150	STEEL BALL D6.35 (10 PCS.)	1	
11	322-845	RATCHET (B)	1	
* 12	316-321	TAPPING SCREW (W/FLANGE) D5X45	4	
* 12	322-869	TAPPING SCREW (W/FLANGE) D5X50 (BLACK)	4	FOR SLIP CLUTCH
13	322-852	WASHER (B)	2	
* 14	322-858	SECOND PINION AND GEAR SET	1	
* 14	322-867	SECOND PINION AND GEAR SET	1	FOR SLIP CLUTCH
15	322-841	CHANGE LEVER	1	
16	322-842	CHANGE COVER	1	
17	322-840	CHANGE SHAFT	1	
* 18	322-859	INNER COVER (B)	1	
* 18	322-868	INNER COVER (A)	1	FOR SLIP CLUTCH
19	322-847	SHIFT LEVER ASS'Y	1	INCLUD. 20-22
20		SHIFT LEVER	1	
21	322-848	SHIFT PIN	1	
22	306-353	O-RING (S-22)	1	
23	981-328	SPRING (H)	1	
24	319-535	STEEL BALL D3.5 (10 PCS.)	1	
25	322-844	GEAR COVER (A) ASS'Y	1	INCLUD. 11
26	323-048	RETAINING RING (E-TYPE) FOR D15 SHAFT	1	
27	322-849	SHIFT ARM	1	
* 28	322-860	PIN D5	1	
* 28	984-104	PIN D5	1	FOR SLIP CLUTCH
29	322-846	GEAR SET	1	
* 30		LABEL (FOR SLIP CLUTCH)	1	FOR SLIP CLUTCH
31	608-DDM	BALL BEARING 608DDC2PS2L	1	
32	939-553	RETAINING RING FOR D22 HOLE (10 PCS.)	1	
* 33	360-652C	ARMATURE 110V	1	
* 33	360-652U	ARMATURE ASS'Y 120V	1	INCLUD. 31, 37
* 33	360-652E	ARMATURE 230V	1	
* 33	360-652F	ARMATURE 240V	1	
34	322-843	FAN GUIDE	1	
35	961-672	HEX. HD. TAPPING SCREW D4X50	2	
* 36	340-587C	STATOR 110V	1	
* 36	340-587D	STATOR 120V	1	
* 36	340-587E	STATOR 230V	1	
* 36	340-587F	STATOR 240V	1	
37	608-VVM	BALL BEARING 608VVC2PS2L	1	
38	322-861	HOUSING	1	

