

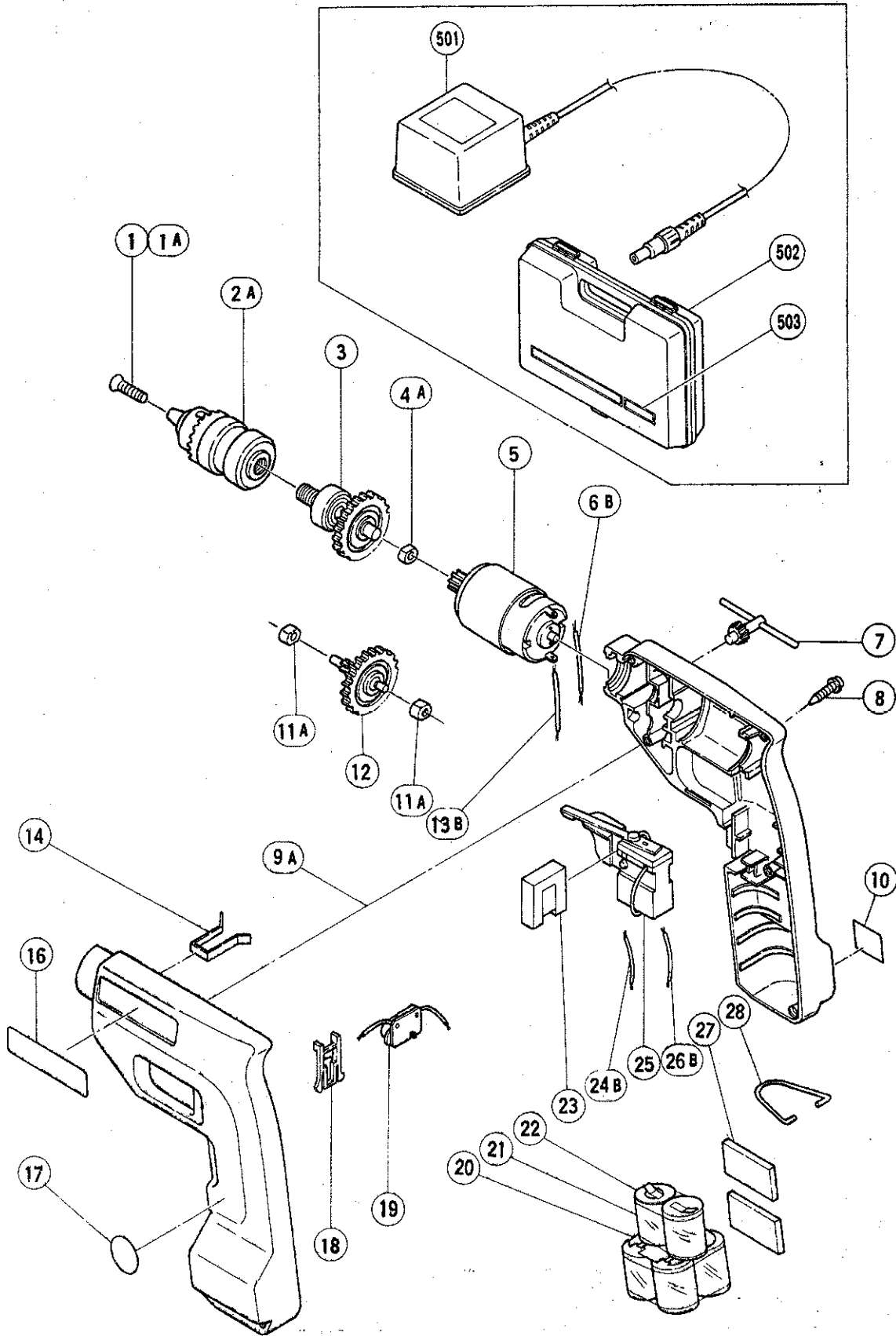
## ELECTRIC TOOL PARTS LIST

■ CORDLESS DRIVER DRILL

1989-10-30

Model DW 10D

DW 10D (E3)



## PARTS

DW 10D

ITEM NO.	CODE NO.	DESCRIPTION	NO. USED	REMARKS
* 1	980-836	FLAT HD. SCREW (LEFT HAND) M5X20	1	TILL 9.1986 FOR DRILL CHUCK 10TLR
* 1A	982-077	FLAT HD. SCREW (LEFT HAND) M5X17	1	SINCE 10.1986 FOR JACOBS DRILL CHUCK
2A	950-292	DRILL CHUCK 10TLRA	1	INCLUD.7
3	994-664	SPINDLE	1	
4A	997-752	METAL	1	
5	994-661	MOTOR	1	
6B	980-845	INTERNAL WIRE (B) 90L (RED)	1	
7	980-057	CHUCK WRENCH 10TL2	1	
8	991-672	TAPPING SCREW (W/WASHER) D3X16	5	
9A	994-679	HOUSING (A),(B) SET	1	
10		CAUTION PLATE	1	
11A	994-677	METAL D4X6	2	
12	994-663	SECOND PINION	1	
13B	980-846	INTERNAL WIRE (B) 40L (BLACK)	1	
14	994-671	KEY HOLDER	1	
16		NAME PLATE	1	
17	994-666	MARK PLATE	1	
18	980-833	SWITCH LOCK	1	
19	994-676	CHARGING CONNECTOR	1	
20	994-673	PLATE	1	
21	994-660	BATTERY	1	
22	994-672	FIBER WASHER	1	
23	980-834	SEAL	1	
24B	994-650	INTERNAL WIRE (B) 45L (BROWN)	1	
25	980-830	SWITCH (2P PLUG IN TYPE) W/O LOCK	1	
26B	994-651	INTERNAL WIRE (B) 45L (BLUE)	1	
27	994-665	CUSHION	2	
28	980-838	HOOK	1	

## STANDARD ACCESSORIES

ITEM NO.	CODE NO.	DESCRIPTION	NO. USED	REMARKS
501		CHARGER(MODEL UC7SA)	1	
502	994-669	CASE	1	
503		HITACHI LABEL	1	

## OPTIONAL ACCESSORIES

ITEM NO.	CODE NO.	DESCRIPTION	NO. USED	REMARKS
601	955-657	-- DRIVER BIT 3MMX70	1	
602	955-659	-- DRIVER BIT 4MMX70	1	
603	955-674	-- DRIVER BIT (A) 6MMX70	1	
604	955-670	+ DRIVER BIT (A) NO.1 70L	1	
605	955-654	+ DRIVER BIT (A) NO.2 70L	1	
606	955-655	+ DRIVER BIT (A) NO.3 70L	1	