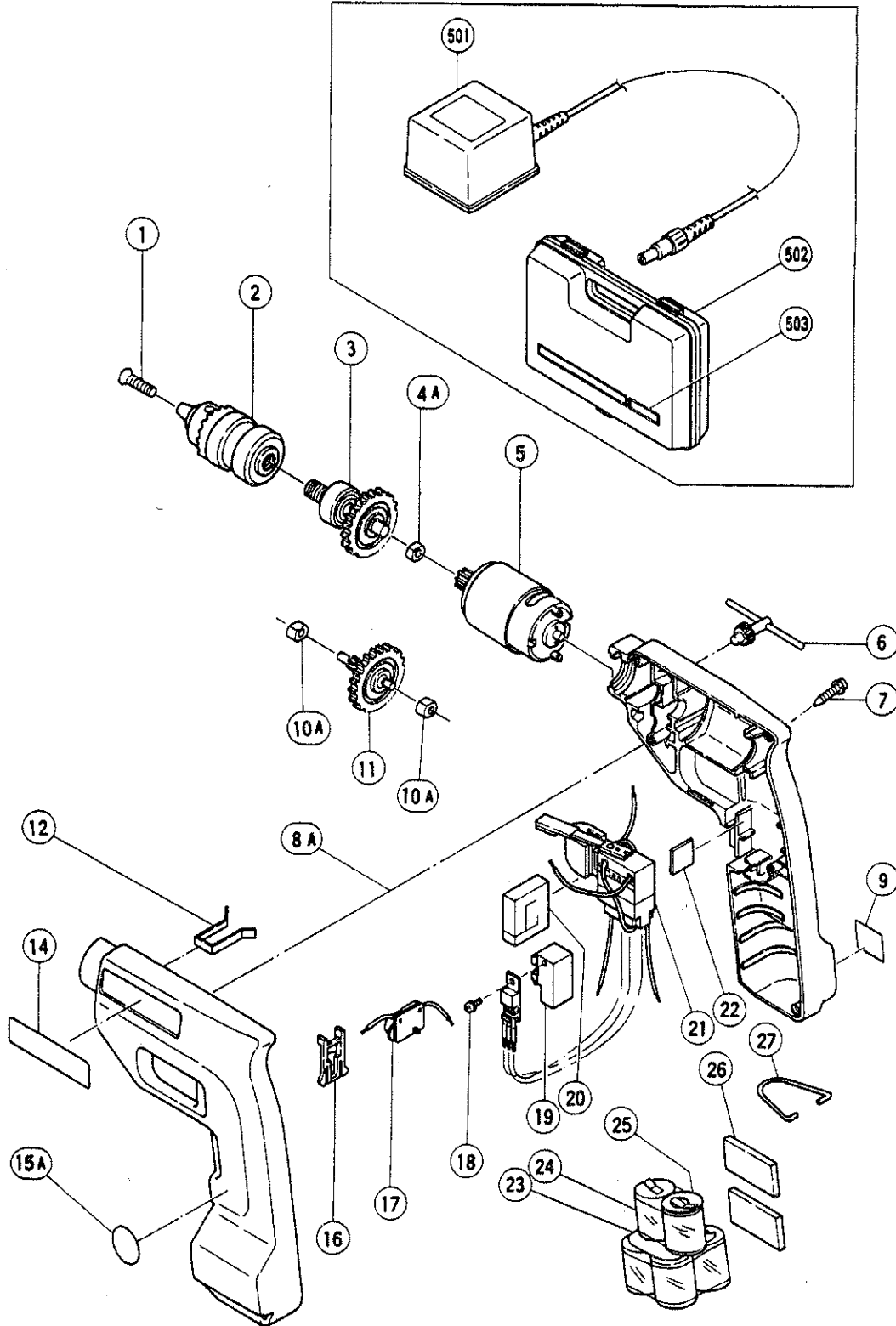


ELECTRIC TOOL PARTS LIST

■ CORDLESS DRIVER DRILL
Model DW 10DA

1993 · 2 · 2
(E2)



PARTS

DW 10DA

ITEM NO.	CODE NO.	DESCRIPTION	NO. USED	REMARKS
* 1	980-838	FLAT HD. SCREW (LEFT HAND) M5X20	1	FOR DRILL CHUCK 10TLR
* 1	982-077	FLAT HD. SCREW (LEFT HAND) M5X17	1	FOR JACOBS DRILL CHUCK
2	950-282	DRILL CHUCK 10TLRA	1	INCLUDED
3	994-664	SPINDLE	1	
4A	997-752	METAL	1	
5	994-681	MOTOR	1	
6	980-057	CHUCK WRENCH 10TL2	1	
7	991-672	TAPPING SCREW (W/WASHER) D3X16	5	
8A	994-679	HOUSING (A),(B) SET	1	
9		CAUTION PLATE	1	
10A	994-677	METAL D4X6	2	
11	994-663	SECOND PINION	1	
12	994-671	KEY HOLDER	1	
14		NAME PLATE	1	
15A	987-135	MARK PLATE	1	
16	980-833	SWITCH LOCK	1	
17	994-676	CHARGING CONNECTOR	1	
18	994-532	MACHINE SCREW (W/SP. WASHER) M3X5	1	
19	998-201	FIN	1	
20	982-078	SEAL	1	
21	998-200	SWITCH (2P PLUG IN TYPE) W/O LOCK	1	
22	992-079	SPACER	1	
23	994-673	PLATE	1	
24	994-660	BATTERY	1	
25	994-672	FIBER WASHER	1	
26	994-665	CUSHION	2	
27	980-838	HOOK	1	

*: ALTERNATIVE PARTS

STANDARD ACCESSORIES

DW 10DA

ITEM NO.	CODE NO.	DESCRIPTION	NO. USED	REMARKS
501		CHARGER(MODEL UC 7SA)	1	DEPENDING ON ORDER SPEC.
502	984 - 653	CASE	1	DEPENDING ON ORDER SPEC. INCLUD.503
503		HITACHI LABEL	1	

OPTIONAL ACCESSORIES

ITEM NO.	CODE NO.	DESCRIPTION	NO. USED	REMARKS
601	955 - 657	- DRIVER BIT (A) 3MMX70L	1	
602	955 - 658	- DRIVER BIT (A) 4MMX70L	1	
603	955 - 674	- DRIVER BIT (A) 6MMX70L	1	
604	955 - 670	+ DRIVER BIT (A) NO.1 70L	1	
605	955 - 654	+ DRIVER BIT (A) NO.2 70L	1	
606	955 - 655	+ DRIVER BIT (A) NO.3 70L	1	

* : ALTERNATIVE PARTS